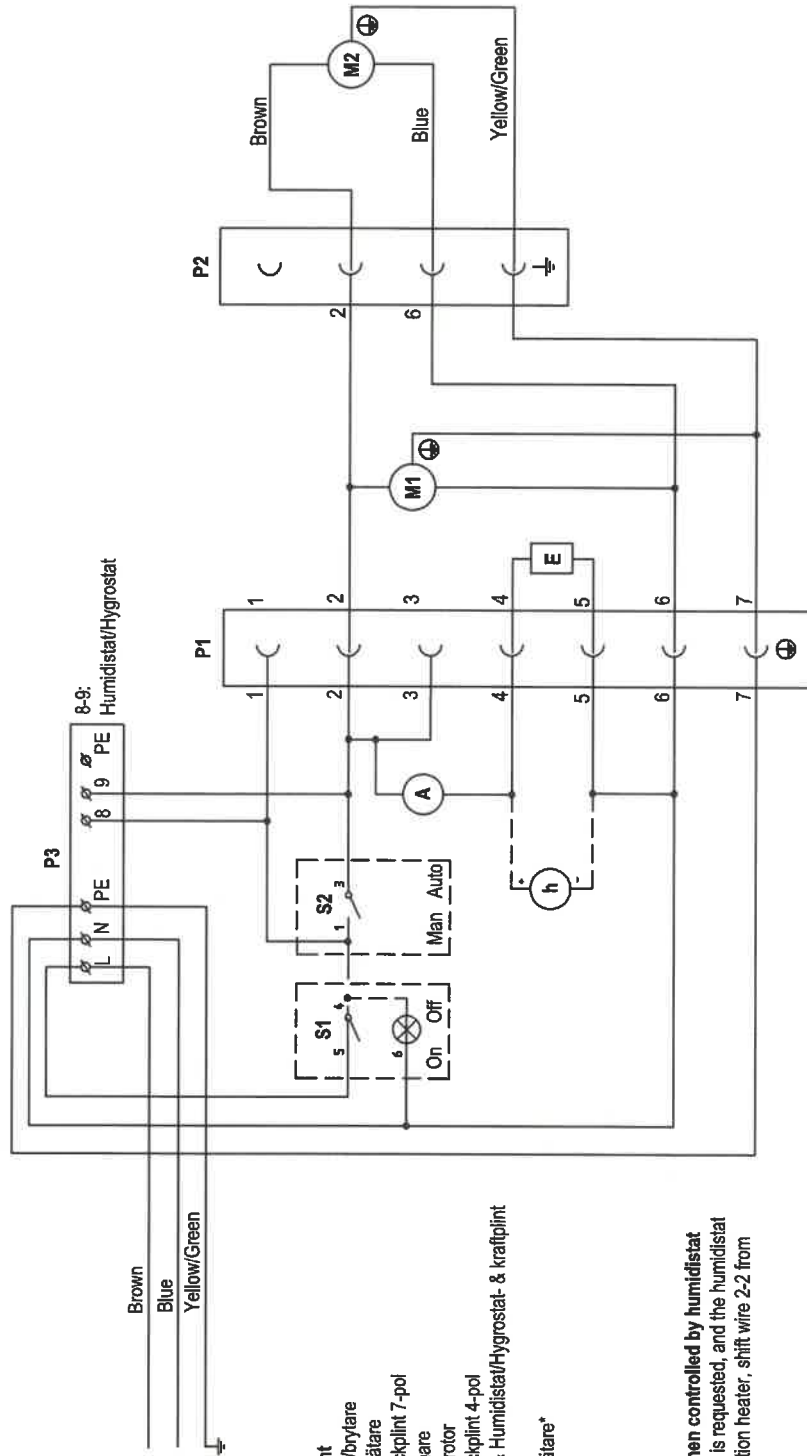


## Spare parts list

Part	Technical specification	No installed	No of recommended spare parts	Comment
Drive motor	Gearmotor 230-240 V 50 Hz 3 rpm, low temp grease	1	1	
Belt pulley	DehuTech-DT-440-belt-pulley	1		
Drive belt	DehuTech-DT-440-drive-belt	1		
Fan	K3G190-RD45-03	1		
Heater PTC	DehuTech-DT-440-ptc - 230V	1	1	
Wet air duct	Heat resistant flexcord Ø80	1		
Rotor	PPS 440	1		
Belt tensioning	DehuTech-DT-440-belt-tensioning	1		
Filter	AAF R29 EN779:G3 235 x 340	1	3	
Toggle switch	2x1 pol. electrical switch	1		
Cord	H07RN-F/3 X1,5, 2,5 m	1		

# Electrical wiring



230VAC, 50Hz  
1,6kW

- Pos. Component/Komponent**
- S1/S2 On-Off/Man-Auto switch/brytare
- A Amperemeter/Amperemätare
- P1 Terminal block 7-pin/Jackplint 7-pol
- E React. heater/Reg. värmare
- M1 Drive motor/Drivmotor - rotor
- P2 Terminal block 4-pin/Jackplint 4-pol
- P3 Terminal for inc.power & Humidistat/Hygrosstat- & kraftplint
- M2 Fan/Fläkt
- h Runtime meter/Drifttidmätare\*
- \* Optional

**Optional operation method when controlled by humidistat**  
If continuous operation of the fan is requested, and the humidistat should control only the reactivation heater, shift wire 2-2 from terminal P1:2 to terminal P1:1.

**Connection of humidistat & connection of runtime-meter**  
Connect the humidistat to P4:8-9.  
Connect the runtime-meter to P1:4 and P1:5.

**Alternativt driftsätt vid hygrosstatstyrning**  
Om kontinuerlig fläkt drift önskas och hygrosstaten HS enbart skall styra reg.värmararen, flytta kabel 2-2 från plintplats P1:2 till plintplats P1:1.

**Inkoppling av hygrosstat & inkoppling av drifttidmätare**  
Hygrosstat kopplas in på plint P4:8-9. Drifttidmätare kopplas in på plintar P1:4 och P1:5.

## Electrical components

No	Part	Mark	Type	Quantity	Manufacturer
1	Gear motor 230 V, 50 Hz, 3 rpm	M1	823055BJ	1	Crouzet AB
2	Radial fan, K3G190-RD45-03	M2		1	ebmpapst AB
3	Built in capacitor in fan	C		1	ebmpapst AB
4	Toggle switch 2x1-pol. bl/or	S1/S2	255036	1	Nedis
6	Heater, 230 V	E	DT-250-ptc	1	Dehutech AB
7	Terminal male 7-pin	P1	sls 5.08/7B sn or	1	Weidmüller AB
8	Terminal, female 7-pin	P1	blz 5.08/7 sn or	1	Weidmüller AB
9	Connection cable for fan	P2		1	ebmpapst AB
12	Blind plug, 22,0-25,5 mm	-	SE E 14 757 16	1	RUTAB
13	Cord, H07RN-F/3G1,5/2,5m	H02	17802500	1	Axjo Kabel
14	Amperemeter, 0-10A	A	RQ48E 0-10A	1	Tälje Mätinstr.
15	Runtime meter	h		*	
16	Humidistat plug connection	P3/HS		*	

\*) Option