

## Spare Parts Catalogue

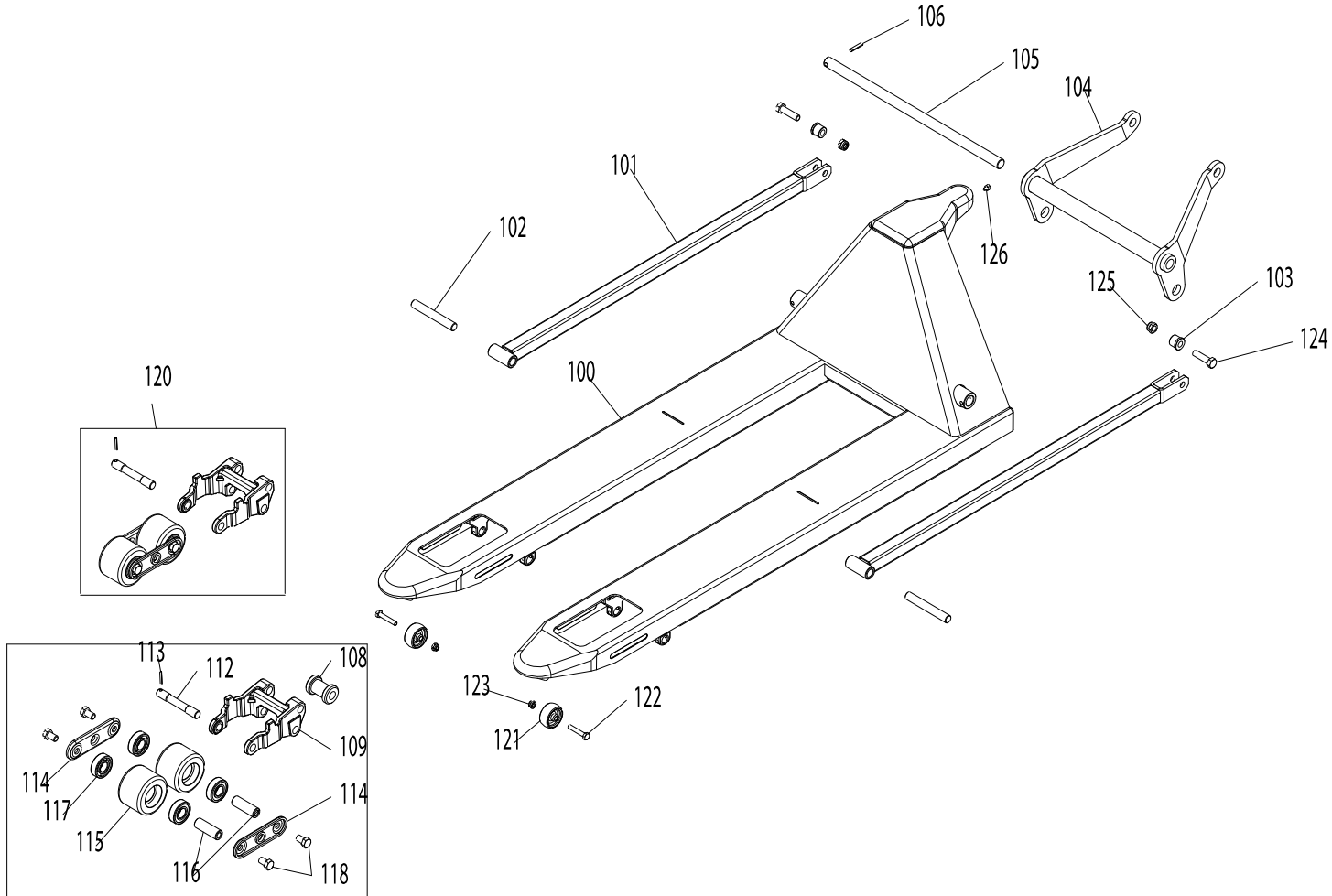
# GS EVO25S4 RA1150x525 POLY.I-POLY.C-STILL

Hand pallet trucks

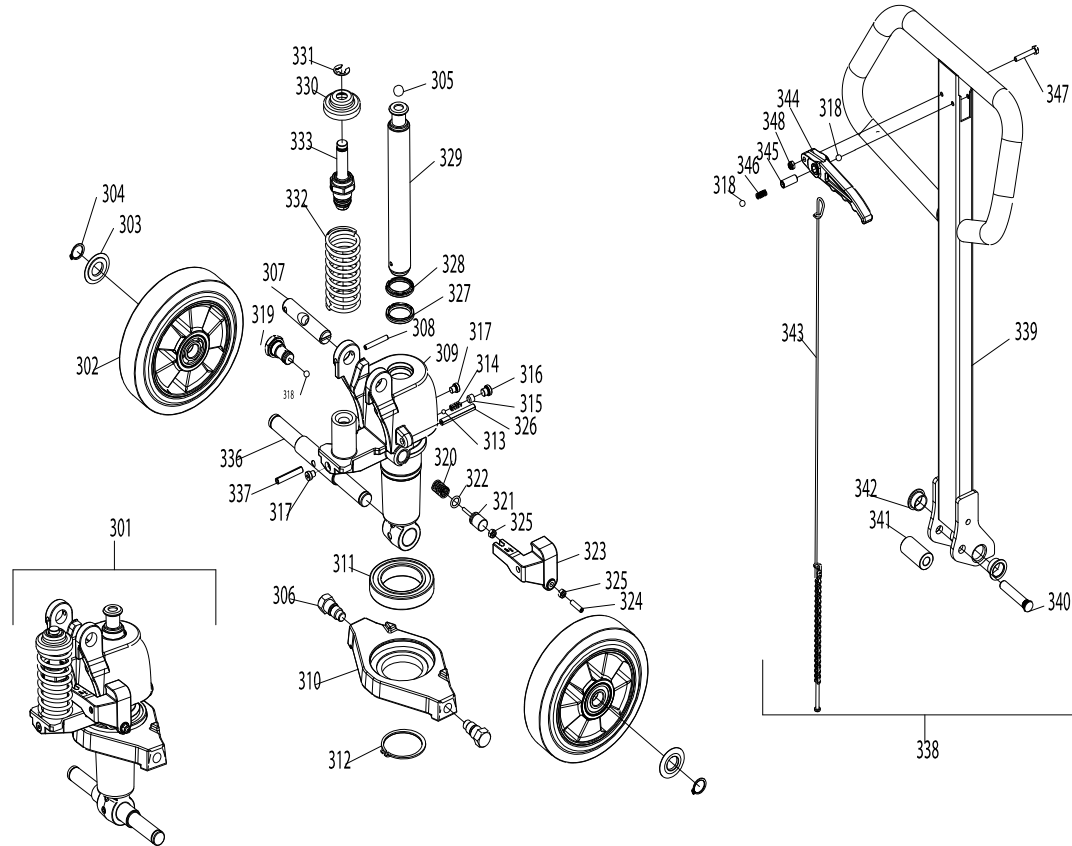
Valid for machine code: TEB41AVVSAL  
Revision: 0 (04/2021)

GS EVO25S4 RA1150x525 POLY.I-POLY.C-STILL - Machine code:  
TEB41AVVSAL

Spare Parts Catalogue GS EVO25S4 RA1150x525 POLY.I-POLY.C-STILL - Revision: 0 (04/2021)



POSITION	PART NUMBER	DESCRIPTION	NOTES
100	V0001010304-2000	FRAME GS/RA 1150x525 PAINTED	
101	S0002270525	PAINTED CONNECTING ROD GS 25 l=1150	
102	S0002205038	PIN D16x113 GS	
103	S0003005055	PUSH ROD INTERNALFORK BUSHING CK ZINC	
104	V000003039-9005	PAINTED ROCKER ARM GS 25 b5=525	
105	S0003015038	ROCKER ARM AXLE GS b5=525	
106	G044304	ELASTIC PEG 6873 D 6x32	
107	S0002205040	REFERENCE PIN GS	
108	G056104	EXIT NYLON ROLLER D38 GS	
109	S0002201027	DOUBLE CLEVIS GS (MACHINED)	
112	S0002205039	TANDEM CONNECTION PIN GS	
113	G044307	ELASTIC PEG 6873 D 4x30	
114	S000003005	ROCKER TANDEM GS'01 ZINC PLATED	
115	S0012050170	INJECTED POLYURETHANE ROLLER D82x60 + BEARINGS	
116	S0012035029	TANDEM ROLLER SPACER GS	
117	G010207	BEARING 6204 Z (20-47-14)	
118	G020272	SCREW HEX-HEAD 5739 65 8.8 M12x20 ZN + TREATMENT 3M SCOTCH-GRIP 2353 360°	
120	S0012030097	ROLLER TANDEM POLY.I Ø82x60 + CLEVIS GS	
121	G056103	ENTRY ROLLER FORK TP/E-GS	
122	G022015	SCREW HEX-HEAD 5737 65 8.8 M8x45 ZN	
123	G034401	LOW-PROFILE SELF-LOCKING NUT 7474 M 8 ZN	
124	G020501	SCREW HEX-HEAD 5737 10.9 M12x45 ZN	
125	G034405	DADO BASSO AUTOBL. 7474 M12 ZN	
126	G023300	FLANGED HEX HEAD TRILOBURAL SCREW M6x8 UNI 8111	



POSITION	PART NUMBER	DESCRIPTION	NOTES
300	S000034046	HYDRAULIC SET GS EVO 2500 KG	
302	S0014010233	POLYURETHANE WHEEL /ALL D200x50 LAG + BEARINGS 6204	
303	G091101	WHEEL DUSTGUARD TP 47x20 SP3.9 TELLURE	
304	G042120	OUTER SEEGER 7435 E 20	
305	G016103	BALL 9/16" (mm14,288) BALL 2	
306	S000003302	CROSS SCREW GS	
307	S000034011	TILLER PIN GS	
308	G044342	ELASTIC PEG SPIROL 8748 D 6x40	
309	S000034000	MACHINED PUMP BODY BLACK RAL 9005 GS	
310	S000034007	MACHINED CROSS BLACK RAL 9005 GS	
311	G010220	BEARING 6012 RS(60-95-18)	
312	G042160	OUTER SEEGER 7435 E 60	
313	G016116	BALL 7/32" (mm5,556)	
314	S000034002	RELIEF VALVE SPRING GS	
315	G022503	SOCKET SET SCREW M10x1 L=8mm ISO 4026 (DIN 913) TRATTAM. TECNOLOGIC 15	
316	G087014	CAP M10x1	
317	G087022	CYLINDRICAL HEAD SCREW - HEX SOCKET M8x1 CAP WITH SEAL	
318	G016104	BALL 5/16" (mm7,938)	
319	S000034023	COMPLETE SEALING PROPORTIONAL VALVE GS	
320	S000034003	OPENING PLUNGER SPRING GS	
321	S000034004	CONTROL PLUNGER GS	
322	G095071	O-RING 115 CRC(614DOWTY) 11,91x2,62 IN SILICONE ROSSO	
323	G0P902	CONTROL PEDAL GS	
324	G023102	SCREW STEI 5923 INOX M6x25	
325	G032301	STANDARD NUT 5588 65 CL8 M 6 ZN	
326	G044352	ELASTIC PEG SPIROL MEDIUM DUTY ISO 8750 (DIN 7343) D8x60	
327	G098208	SEAL IN PU 32x40x6.3	
328	G094000	WIPER IN PU 32x40x4	
329	S000034005	ROD GS	
330	S000034028	SPRING-GUIDE CUP GS	
331	G042503	CIRCLIP FOR SHAFTS RS UNI 7434 D12 (DIN 6799)	
332	S000034121	TILLER RETURN SPRING GS	
333	S000034006	PUMPING ROD GS	
334	G094018	WIPER IN NBR+METAL 16x24x3,5	
335	G098200	SEAL IN PU 16x22x5	
336	S000034025	WHEEL AXIS GS	

POSITION	PART NUMBER	DESCRIPTION	NOTES
337	G044353	ELASTIC PEG SPIROL MEDIUM DUTY ISO 8750 (DIN 7343) D8x45	
338	S000034041	COMPLETE TILLER GS STILL	
339	S000034040	MACHINED TILLER GREY TITANIUM GS STILL	
340	S000034012	PUMPING ROLLER PIN GS	
341	S000034013	PUMPING ROLLER GS	
342	G016306	BOCCOLA AUTOLUB. FLANGIATA DU 20X23X12	
343	S000034008	TIE ROD + CHAIN + PIN GS	
344	S0004018006	LOWERING LEVER PALLET TRUCK GS	
345	S0004036022	LOWERING LEVER SPACER GS	
346	G001126	LOWERING LEVER SPRING GS	
347	G022006	SCREW HEX-HEAD 5739 65 8.8 M6x35 ZN	
348	G034404	LOW-PROFILE SELF-LOCKING NUT 7474 M 6 ZN	