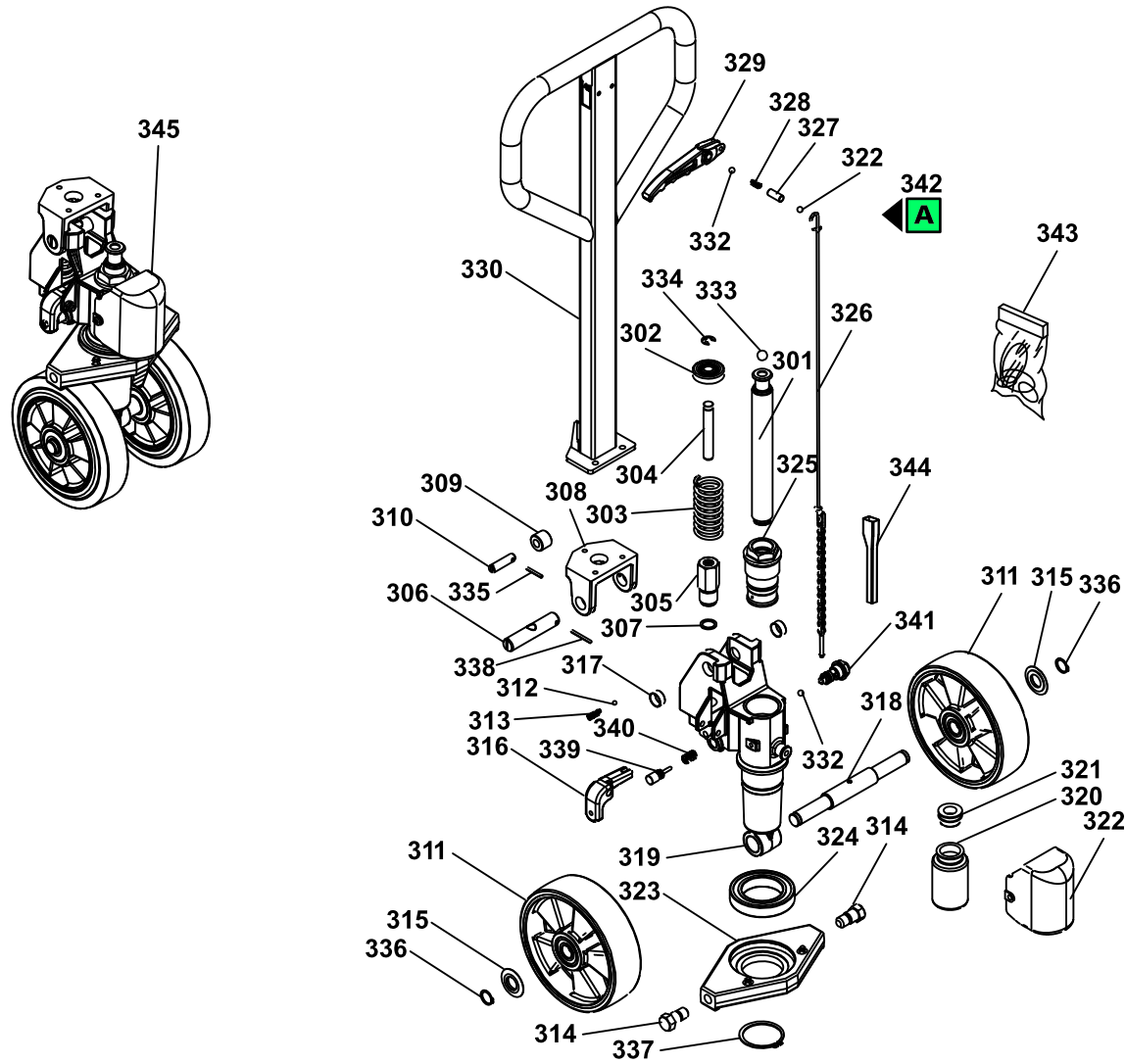


Spare Parts Catalogue

GS-SILENCE-20S6-1150x525

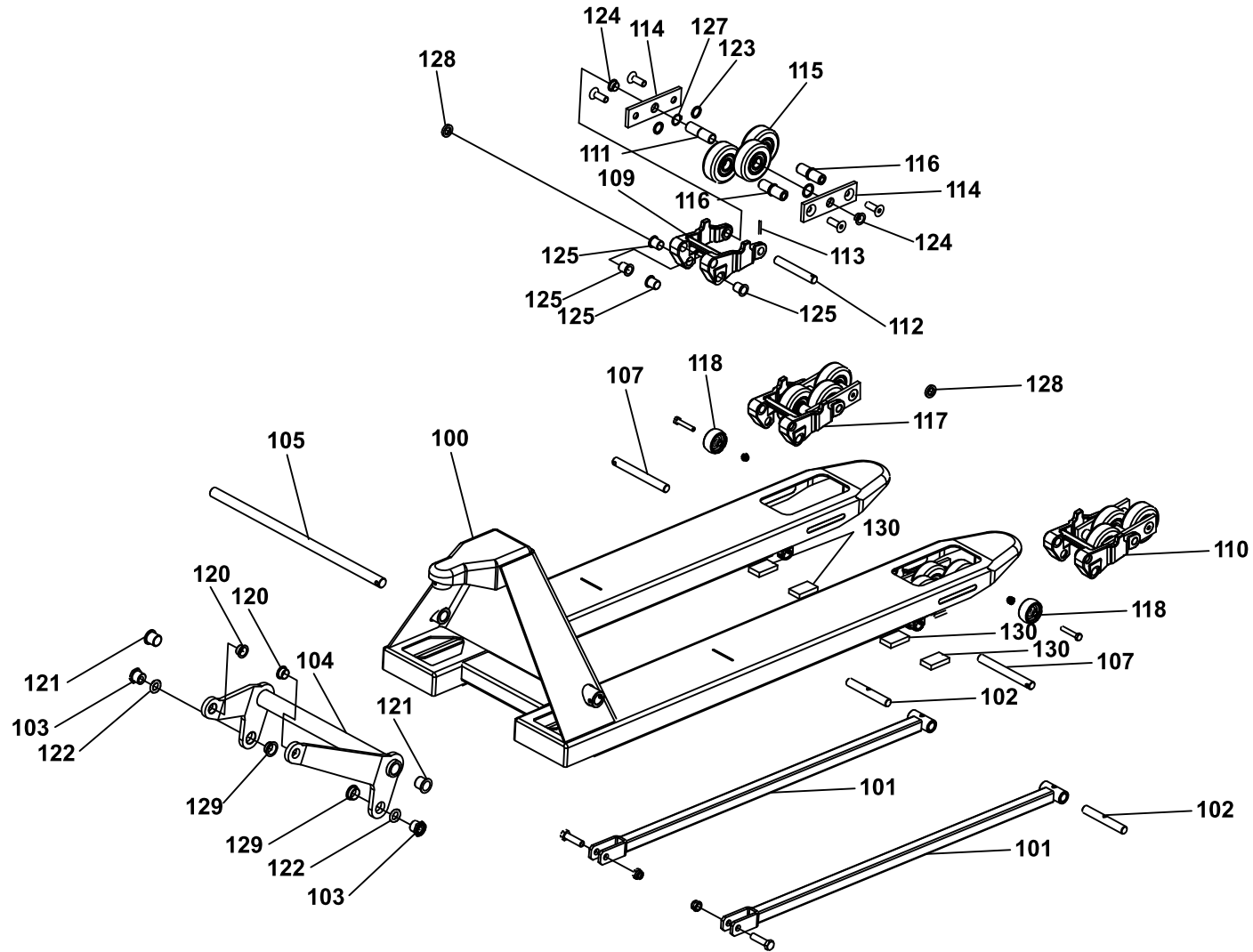
Hand pallet trucks

Valid for machine code: GFN41MU0100
Revision: 0 (02/2016)



POSITION	PART NUMBER	DESCRIPTION	NOTES
301	S000003502	PISTON GS/GLOBAL (MACHINED)	
302	G09007	SPRING SLIDE CUP GS/USA '99 LAM.ZN	
303	G001103	SPRING De42 F.4,5x125 P.15 GRINDED-ZINC PLATED	
304	S0004013006	PLUNGER PUMP GS	
305	S0004010470	BURNISHED CYLINDER GS-GS/GALV ASSEMBLED	
306	S0004013008	CHAIN GUIDE PIN (L.98) BURNISHED	
307	G096001	COPPER WASHER 18x23,5x1,5	
308	S0004011012	CAST IRON BRIDGE GS	
309	S0004013001	PUMP-UP ROLLER TP/GS BURNISHED	
310	S0004013002	PUMP-UP ROLLER PIN GS	
311	S0002010169	Rubber Wheel D200 (model No. Ea200bh-65a Lifter)+bearing	
312	G016116	BALL 7/32" (mm5,556)	
313	G001104	SPRING De8 F.1,7x22 P.3,5 GRINDED	
314	S000003308	CROSS SCREW GS SILENCE	
315	G091101	WHEEL DUSTGUARD TP 47x20 SP3.9 TELLURE	
316	S000003901	OPENING SPILL PEDAL '07 GS	
317	S0004018002	BODY PUMP BUSHING GS (20x22x10)	
318	S000022058	WHEEL AXLE GS SILENCE	
319	POPP00006	New code S000003106	
320	S0004018003	OIL TANK PALLET TRUCK GS	
321	S0004018001	OIL TANK CAP PALLET TRUCK GS	
322	S0004018005	TANK PROTECTION GS (SHORT)	
323	S000003109	CROSS GS '09 BLACK RAL 9005 MACHINED	
324	G010220	BEARING 6012 RS(60-95-18)	
325	S0004011024	CAST IRON BUSHING GS (MACHINED)	
327	S0004036022	LOWERING LEVER SPACER GS	
328	G001126	LOWERING LEVER SPRING GS	
329	S0004018006	LOWERING LEVER PALLET TRUCK GS	
330	S0004030331	PUMP HANDLE GS/E PAINTED	
332	G016104	BALL 5/16" (mm7,938)	
333	G016103	BALL 9/16" (mm14,288) BALL 2	
334	G042501	LOCKER RING RS 7434 D10	
335	G044319	ELASTIC PEG SPIROL 8748 D4x30	
336	G042120	OUTER SEEGER 7435 E 20	
337	G042160	OUTER SEEGER 7435 E 60	
338	G044318	ELASTIC PEG SPIROL 8748 D 4x40	

POSITION	PART NUMBER	DESCRIPTION	NOTES
339	P3VA00007	KIT SPILLO APERTURA + MOLLA GS-AV	
340	S000003900	OPENING PLUNGER SPRING GS '15	
341	▲ S000010074	COMPLETE NO RETURN VALVE GS '11	Attention: this item is valid for machines produced with serial number until HLI0358989 Interchangeable: YES
341	▲ S000051001	COMPLETE SEALING VALVE PROPORTIONAL GS '16	Attention: this item is valid for machines produced with serial number from HLI0358989 Interchangeable: YES
342	S000022055	TILLER GS SILENCE	
343	P0KI00003	GASKET SET GS '02 GS/AV	
344	G072082	GUAINA TERMORESTRINGENTE DA 19/9.5	
345	S000022068	HYDRAULIC SET GS SILENCE '15 25q + RUBBER WHEELS	



POSITION	PART NUMBER	DESCRIPTION	NOTES
100	V0001010304-PRAMAC	TELAIO GS/RA 1150x525 VERN.VERDE PRAMAC	
101	V000022050-9005	PAINTED CONNECTING ROD GS SILENCE I=1150	
102	S000015508	PUSH ROD-CLEVIS PIN CX14	
103	S000003306	PUSHING RODS FORK ECCENTRIC GS SILENCE	
104	V000022048-9005	PAINTED ROCKER ARM GS SILENCE 20 b5=525	
105	S000003307	ROCKER ARM AXLE GS SILENCE b5=525	
106	G044304	ELASTIC PEG 6873 D 6x32	
107	S000003305	REFERENCE PIN GS SILENCE	
109	S000031020	GEOMET DOUBLE CLEVIS GS SILENCE	
110	S000022059	TRIPLE ROLLER POLY.C 92 ShA RIGHT + CLEVIS GS SILENCE	
110	S000022060	TRIPLE ROLLER POLY.C 75 ShA RIGHT + CLEVIS GS SILENCE	
111	S000003303	CENTRAL ROLLER SPACER GS SILENCE	
112	S000003310	TRIPLE ROLLER CONNECTION PIN GS SILENCE	
113	G044319	ELASTIC PEG SPIROL 8748 D4x30	
114	S000003309	TRIPLE ROLLER HOLDER GS SILENCE	
115	G056210	ROLLER POLY.C 92 ShA D80x30 + BEARINGS	
115	G056211	ROLLER POLY.C 75 ShA D80x30 + BEARINGS	
116	S000003304	EXTERNAL ROLLERS SPACER GS SILENCE	
117	S000022066	TRIPLE ROLLER POLY.C 92 ShA LEFT + CLEVIS GS SILENCE	
117	S000022067	TRIPLE ROLLER POLY.C 75 ShA LEFT + CLEVIS GS SILENCE	
118	G056103	ENTRY ROLLER FORK TP/E-GS	
120	G016317	IGUS BUSHING GFM-1820-11	
121	G016318	IGUS BUSHING GFM-2023-21	
122	G095063	O-RING 21,59x5,34	
123	G041807	PLAIN WASHER 6592 18x24x2 ZN	
124	G016315	IGUS BUSHING GFM-1618-09	
125	G016314	IGUS BUSHING GFM-1618-21	
126	G096006	COPPER WASHER 22x28x1.5	
127	G042120	OUTER SEEGER 7435 E 20	
128	S000003910	NYLON CLEVIS-SUPPORT SPACER	
129	G016316	IGUS BUSHING GFM-2224-10M	
130	G091301	GASKET AERSTOP CN 20 A.E/2 30x10	
131	POP900005	TANDEM COMPLETO RULLO POLY.C 92 ShA D80x30	
131	POP900006	TANDEM COMPLETO RULLO POLY.C 75 ShA D80x30	