



Service  
& Parts

# Spare Parts Catalogue

## EY 15L S4 1150x550-GRIGIO RAL 9006-LIFTER

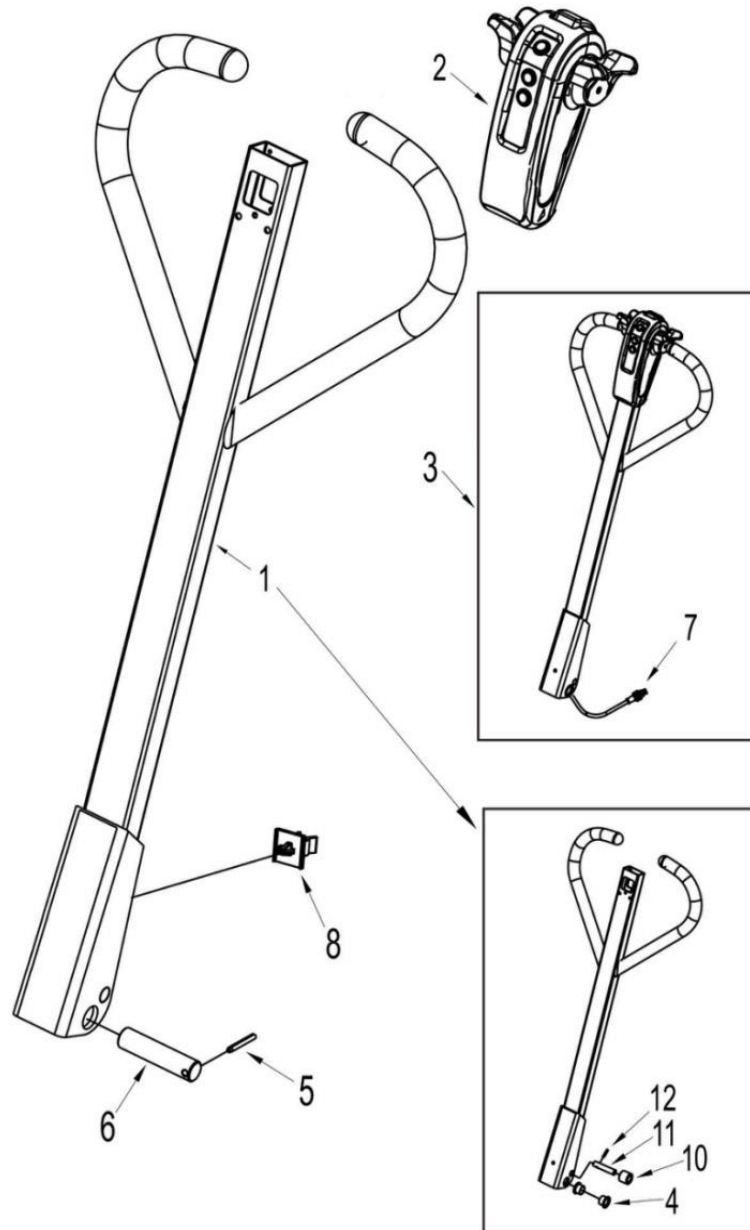
Material Handling | Electric Pallet Truck

Valid for machine code: **EWQ47I0001M**

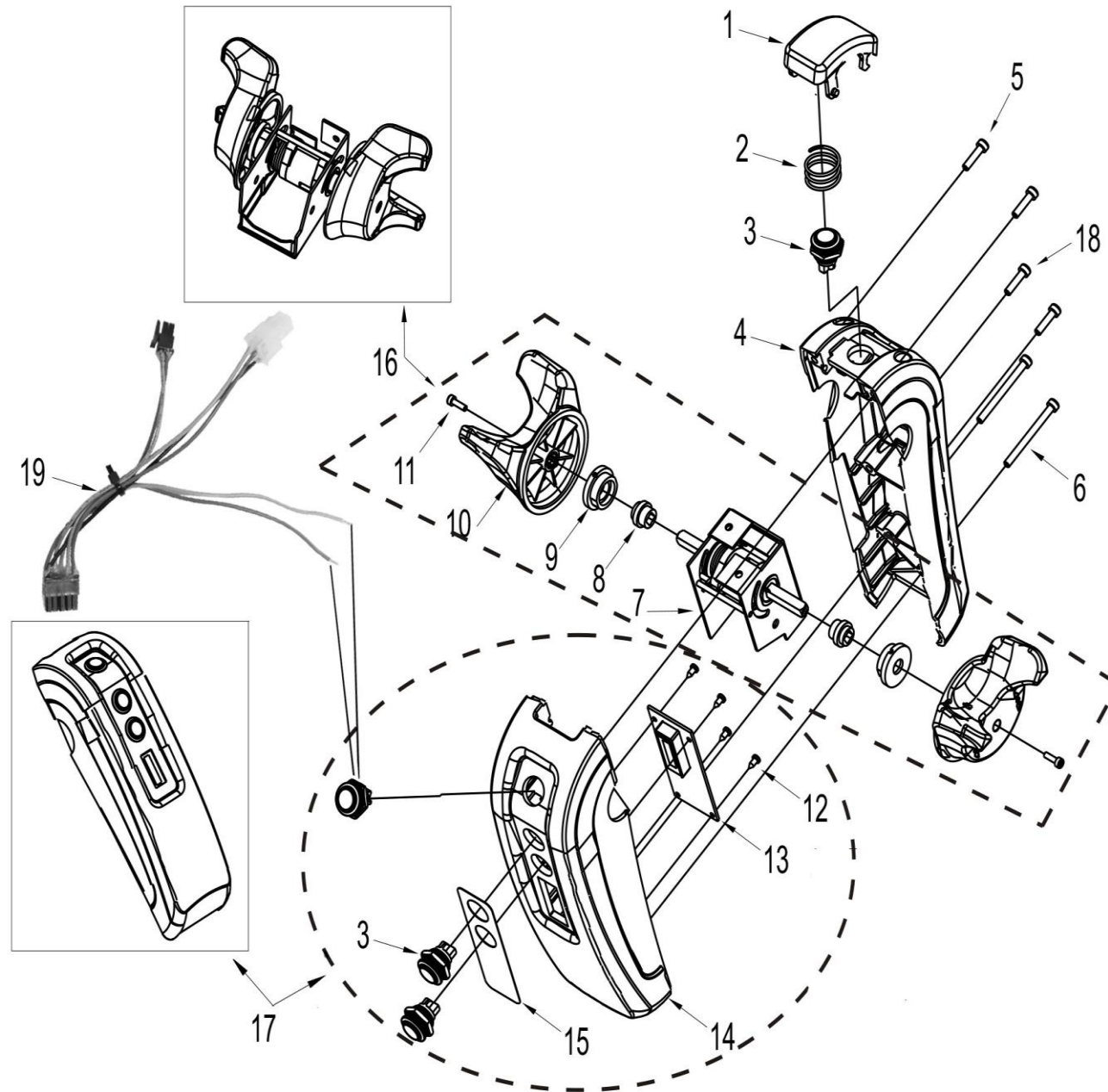
Revision: June 2022



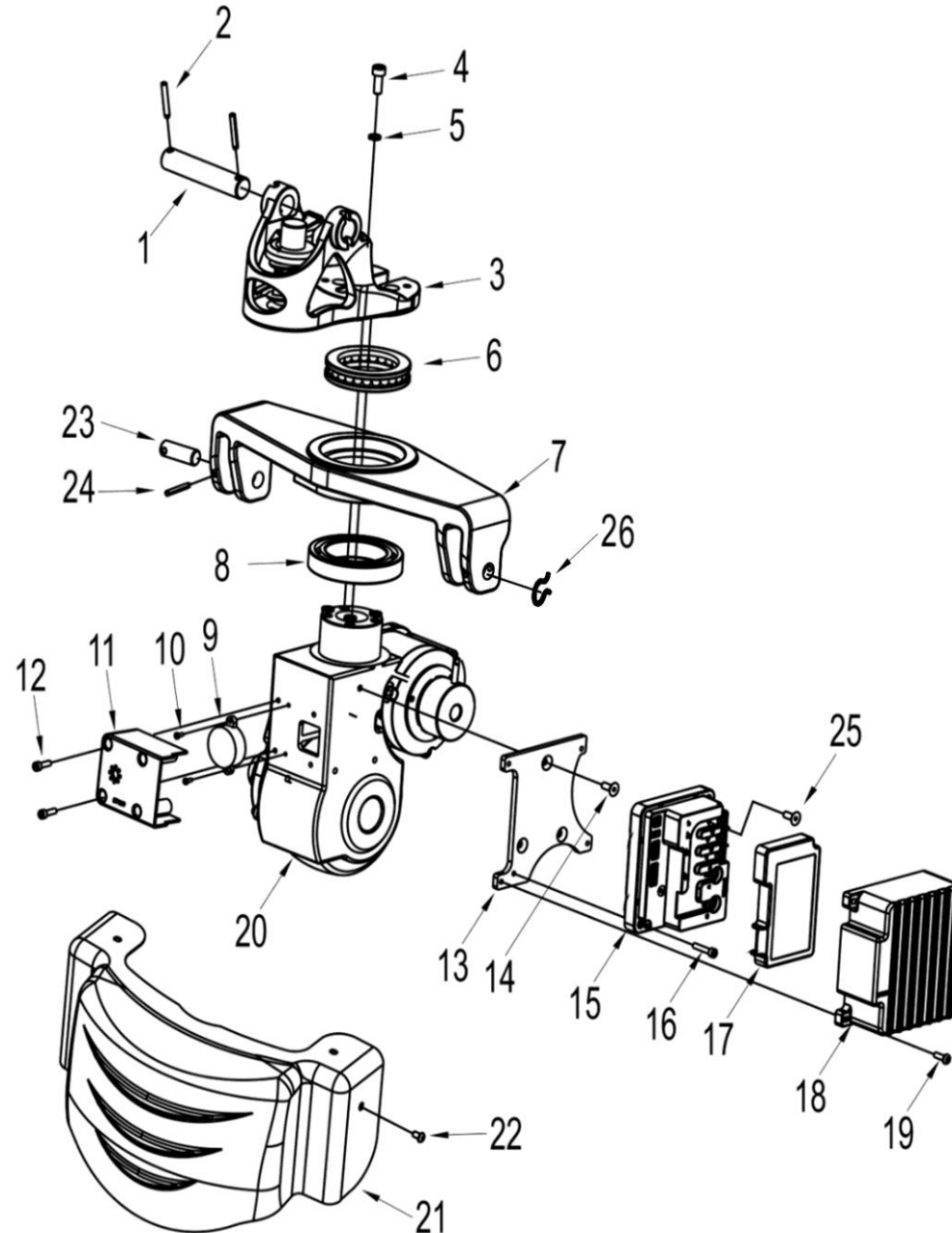




Index	Part No.	Part Name	Remark
1	31401001	#N/A	Handle tube assy.(Incl.1, 4, 10~12)
2	31101078	PCD00001	Control box assy. (Intelligent control) (Yellowcolor control knob)
	31101196	PCD00002	Control box assy. (Intelligent control) (Red color control knob)
3	31101079	#N/A	Handle assy. (Intelligent control) option (Inc. Item 1~2, 7~8)
	31101197	#N/A	Handle assy.(Inc. Item 1~2, 7~8) (Intelligent control)
4	21402003	PCD00003	Self-Lubricating Bearing 20*30*16.5
5	20901001	PCD00004	Spring Pin $\varnothing 5 \times 35$
6	31102127	#N/A	Handle shaft $\varnothing 20 \times 100$ (2021.04.10~)
7	10302018	PCD00005	Handle cables
8	31102124	#N/A	Plastic cable clamp
10	31102038	#N/A	Roller Axle
11	31102039	#N/A	Sping pin 4*20
12	20901010	#N/A	Plastic cable clamp



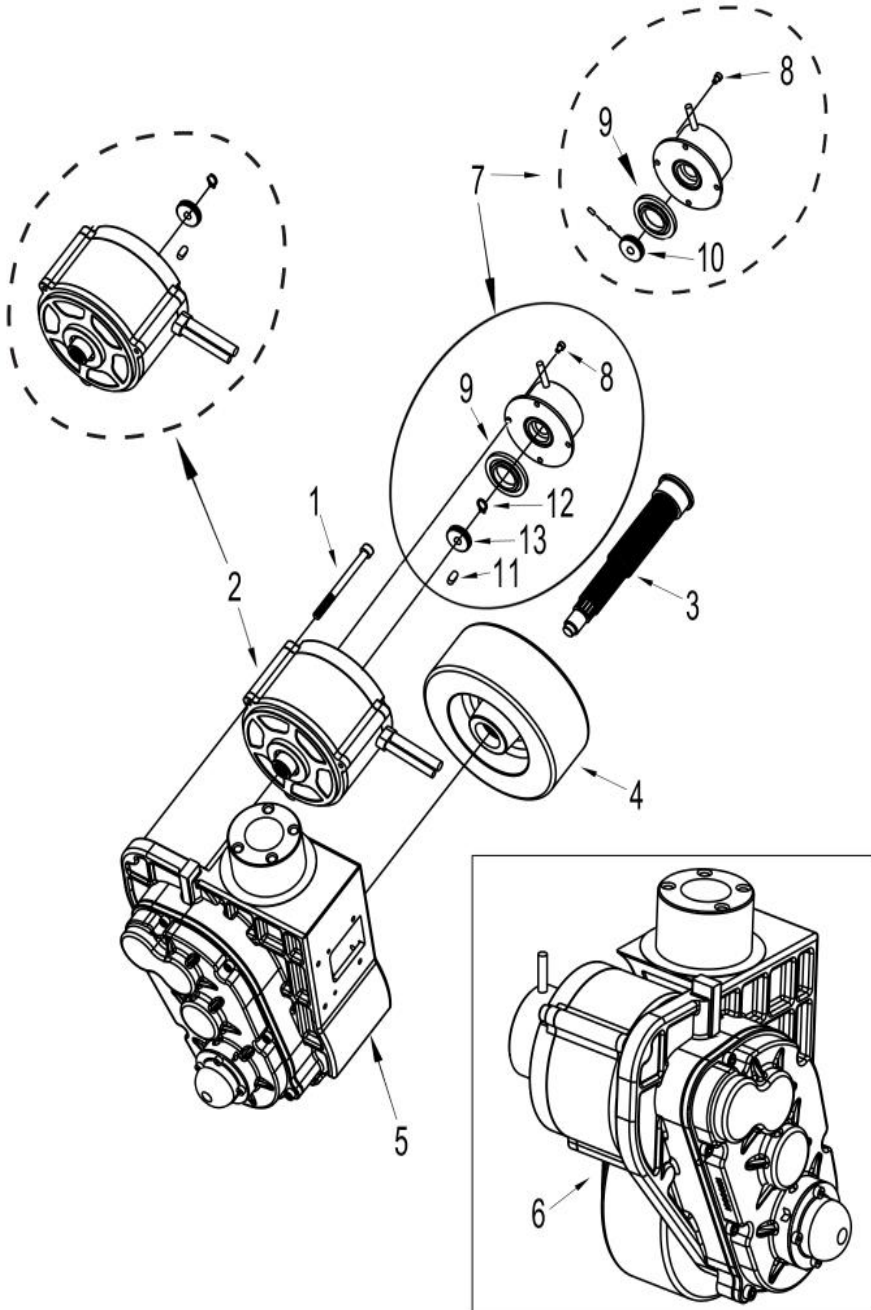
Index	Part No.	Part Name	Remark
1	30202004	PCD00006	Emergency reverse button
2	30202005	PCD00007	Spring
3	10301010	PCD00008	Inching switch
4	30202002	#N/A	Bottom cover
5	20101402	#N/A	Screw M4*16
6	20101401	#N/A	Screw
7	10301012	#N/A	Potentiometer
8	30202008	#N/A	Inner Column spacer
9	30202007	#N/A	Outer Column spacer
10	30202009	#N/A	Control Knob (Yellow color) (~2023.2.19)
	30202057	#N/A	Control Knob (Red color)(2023.2.20~)
11	20302008	#N/A	Screw M3*12 (2020.11.01~)
12	20301004	#N/A	Screw M3*16
13	10301061	#N/A	Monitor (Intelligent control) option
14	30202003	#N/A	Front cover
15	30202006	#N/A	Sticky board
16	31101012	PCD00009	Potentiometer assy.(Inc. Item 7~11) (Yellow color control knob)
	31101134	PCD00010	Potentiometer assy.(Inc. Item 7~11) (Red color control knob)
17	31101081	#N/A	Handle upper cover assy. (Intelligent control) option
18	20101405	#N/A	Screw M4*12
19	10302055	#N/A	Cable harness for control box assy



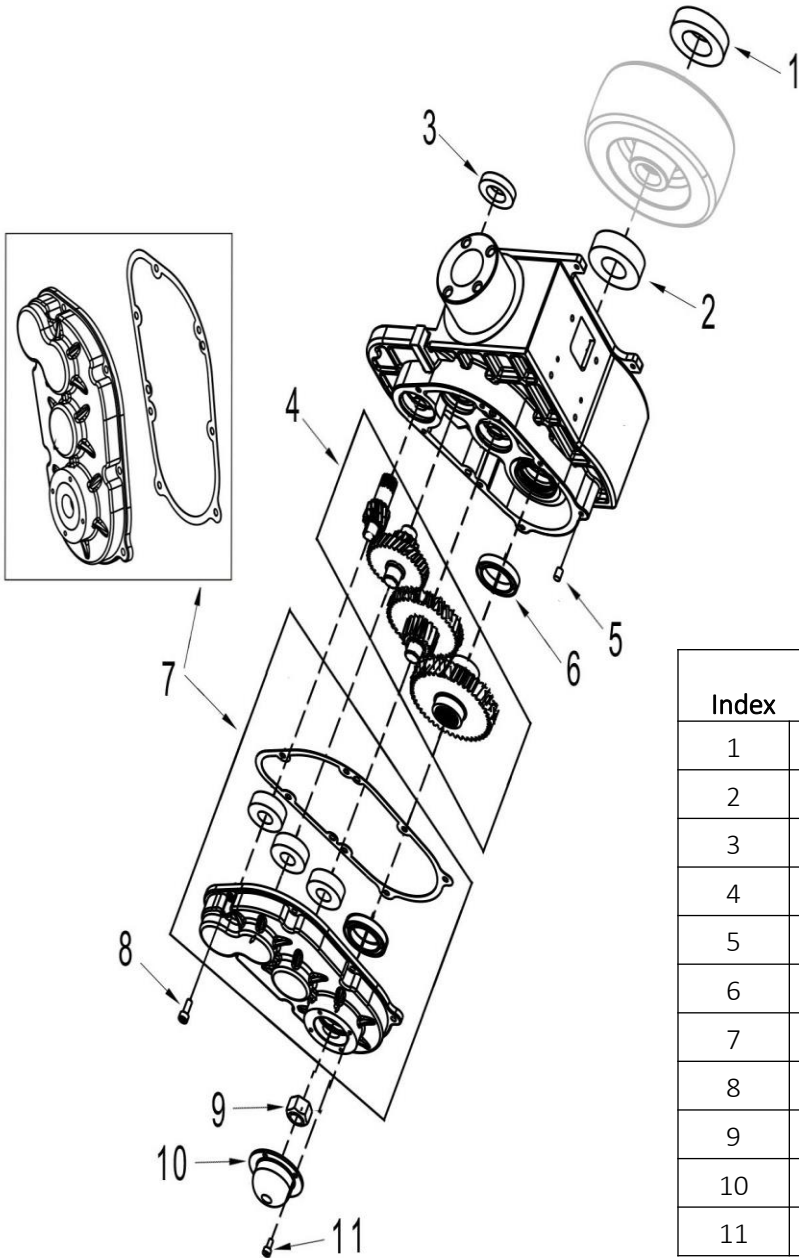
Index	Part No.	Part Name	Remark
1	31102127	#N/A	Handle shaft Ø20*100 (2021.04.10~)
2	20901001	PCD00004	Spring Pin Ø5*35
3	31101119	#N/A	Handle socket assy.(2021.04.10~)
4	20101802	#N/A	Screw M8*25
5	20601001	#N/A	Washer Ø8
6	20503001	#N/A	Bearing 51113
7	31502004	#N/A	Continuous frame(2021.08.15~)
8	20501002	#N/A	Bearing 6013-2RS
9	10301043	#N/A	Buzzer
10	20102402	#N/A	Screw M4*8
11	31102002	#N/A	Wires cover for EPT15H
	31502003	#N/A	Wires cover for EPT20H
12	20101505	#N/A	Screw M5*16
13	31102004	#N/A	Mounting plate for controller
14	20103602	#N/A	Screw M6*16
15	10301062	#N/A	Controller (Intelligent control) option
16	20101502	#N/A	Screw M5*25
17	31102021	#N/A	Wires cover for controller
18	31102001	#N/A	Controller cover
19	20304502	#N/A	Screw M5*16
20	31101138	PCD00012	Driving unit assy. (0.75Kw Motor) for EPT15H
	31501022	PCD00013	Driving unit assy. (1.0Kw Motor) for EPT20H
21	31502005	#N/A	Cover standard 30mm ground clearance(2020.05.01~) Option
	31502006	#N/A	Cover 60mm ground clearance (Standard)

Index	Part No.	Part Name	Remark
22	20202601	#N/A	Screw M6*12 (2020.11.5~) updated
23	30102007	#N/A	Coupling shaft
24	20901002	#N/A	Spring Pin $\varnothing$ 5*40
25	20202401	#N/A	Screw M4*8
26	31102054	#N/A	Nylon gasket 3mm
	31102055	#N/A	Nylon gasket 2mm





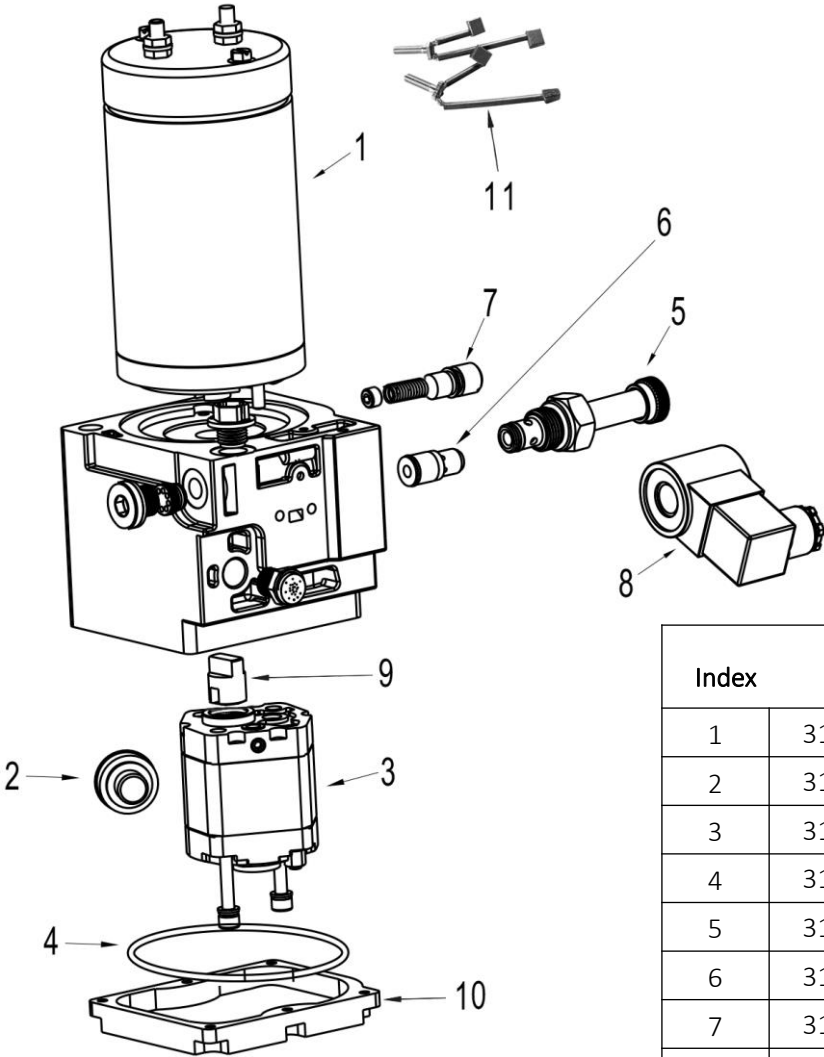
Index	Part No.	Part Name	Remark
1	20101605	#N/A	Screw M6*80 for 0.75Kw drive motor
	20101606	#N/A	Screw M6*90 for 1.0Kw drive motor
2	31101003	#N/A	Motor assy. 0.75Kw for EPT15H
	31101156	PCD00014	Motor assy. with spline sleeve 0.75Kw for EPT15H
	31501005	#N/A	Motor assy. 1.0Kw for EPT20H
	31101157	PCD00015	Motor assy. with spline sleeve 1.0Kw for EPT20H
3	31102013	PCD00016	Axle
4	31102129	PCD00017	Drive wheel Ø140*55mm with REACH certified
5	31101077	PCD00018	Gearbox assy.(No motor, drive wheel, axle, etc)
6	31101138	PCD00012	Driving unit assy. (0.75Kw Motor) for EPT15H
	31501022	PCD00013	Driving unit assy. (1.0Kw Motor) for EPT20H
7	31101002	#N/A	Brake assy. (Old)
	31101084	PCD00021	Brake assy. (New)
8	20105001	#N/A	Screw M4*10
9	31102131	#N/A	Brake pad
10	31102142	#N/A	Spline sleeve for old brake
11	21601003	#N/A	Flat key
12	20801009	#N/A	Circlip
13	31102163	#N/A	Spline sleeve for new brake



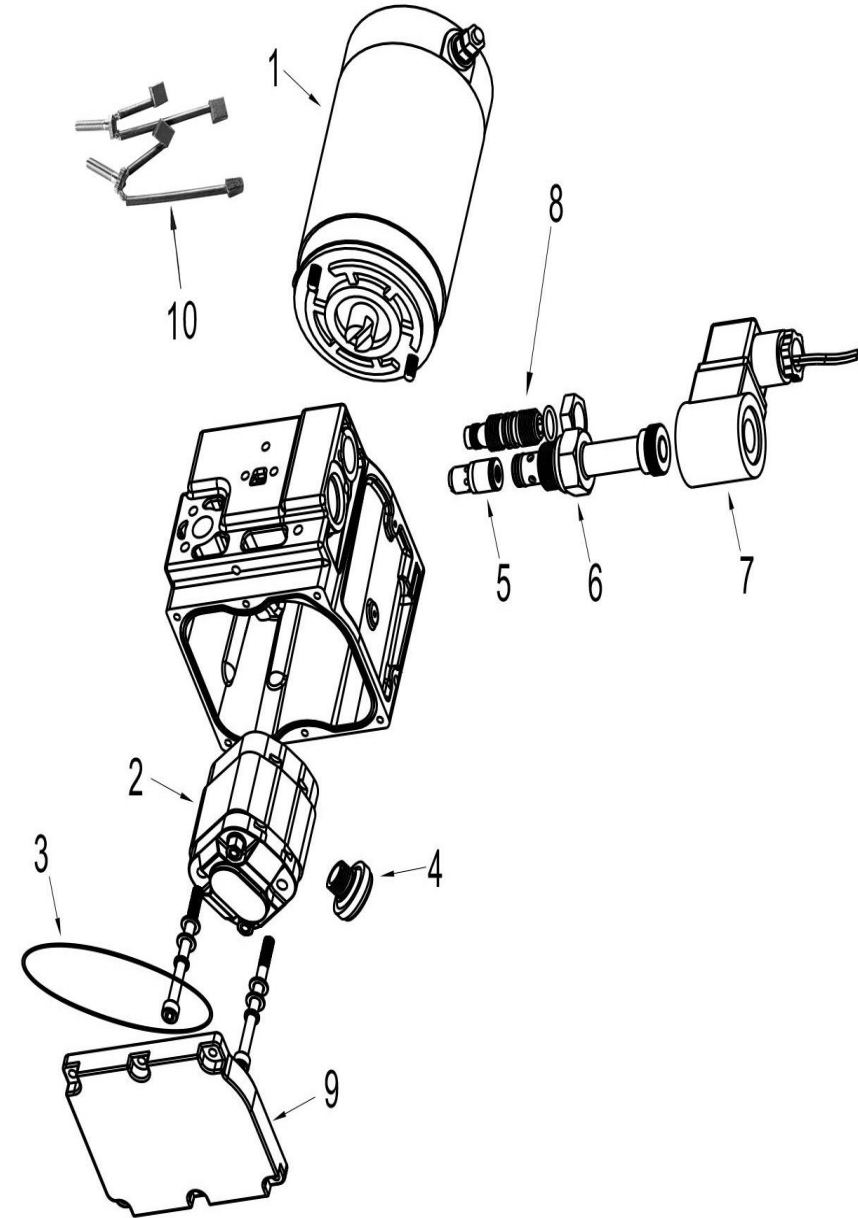
Index	Part No.	Part Name	Remark
1	20501012	#N/A	Bearing 6006-2Z
2	20501011	#N/A	Bearing 6205-2Z
3	21104003	#N/A	Oil seal
4	31101137	#N/A	Gears assy.
5	20902001	#N/A	Locating pin
6	21104002	#N/A	Framework oil seal
7	31101082	#N/A	Gearbox cover assy.
8	20101501	#N/A	Screw
9	20401004	#N/A	Nut
10	31102007	PCD00022	Nut cap
11	20303003	#N/A	Screw M4*10



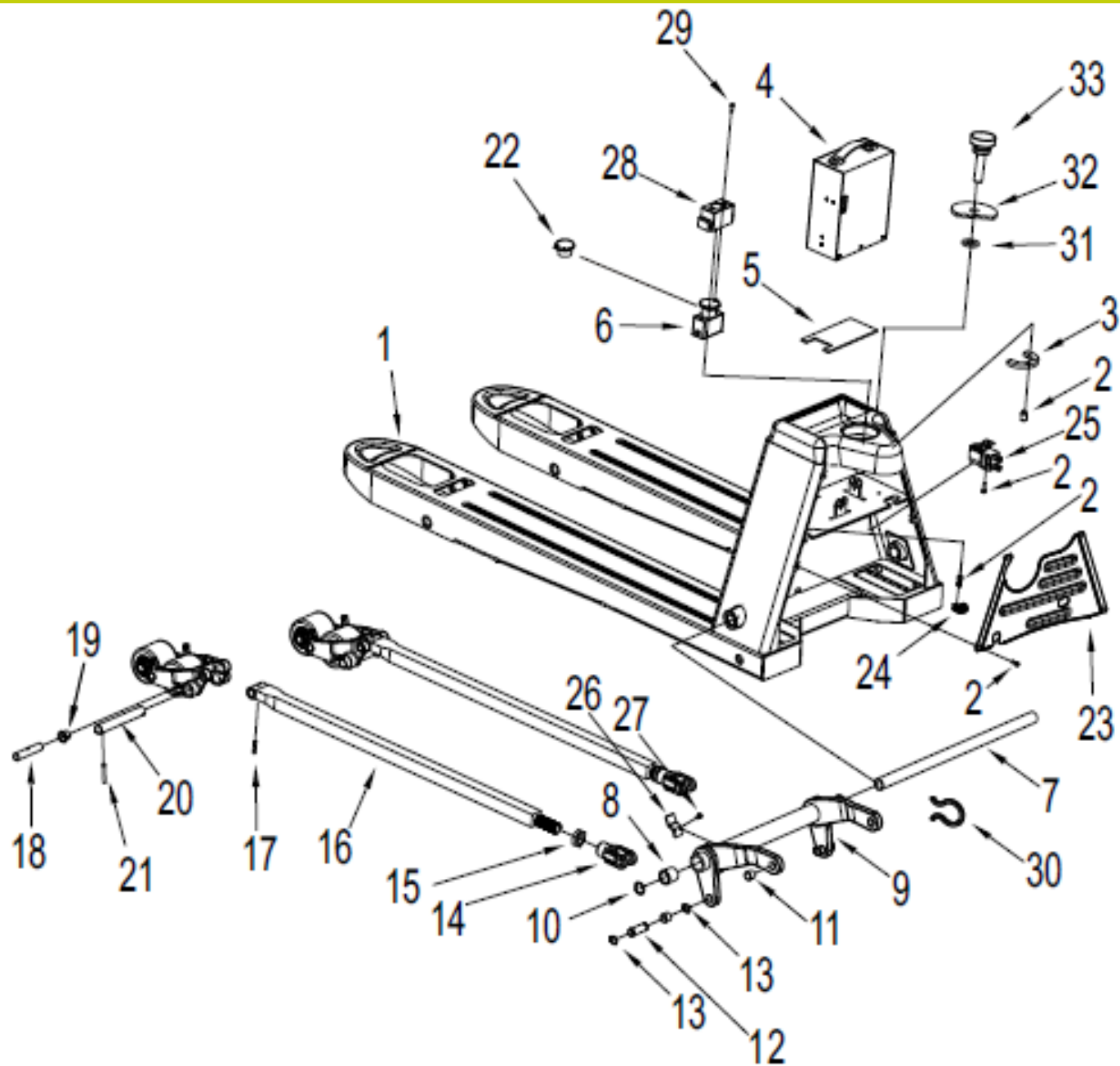
Index	Part No.	Part Name	Remark
1	30202024	#N/A	Fixed shaft of piston rod
2	31501014	PCD00023	Cylinder assy. Ø35
3	20101801	#N/A	Screw M8*20
4	20601001	#N/A	Washer Ø8
5	30202035	#N/A	Clip
6	20202601	#N/A	Screw M6*12 (2020.11.5~) updated
7	30202022	#N/A	Oil pipe connector
8	31101076	#N/A	Hydraulic unit assy. (DELI)
	31101046	PCD00024	Hydraulic unit assy. (VIBO)
9	30202054	#N/A	Plug Screw
10	30202021	#N/A	Oil pipe
11	31102015	#N/A	Mounting plate
12	20103602	#N/A	Screw M6*16
13	20304503	#N/A	Screw M6*16
14	31402005	#N/A	Cable sleeve
15	30202036	#N/A	Oil tank block
16	10301014	PCD00025	Lifting limitation inching switch
17	20202301	#N/A	Screw M3*16
18	20202604	#N/A	Screw M6*18 (2021.4.1~)
19	31102117	#N/A	Mounting plate for guide cable
20	31101126	#N/A	Hydraulic unit assy. with mounting plate & oil pipe(Inc.7~13,15~18 ) DELI
	31101132	#N/A	Hydraulic unit assy. with mounting plate & oil pipe(Inc.7~13,15~18) VIBO
21	31102173	#N/A	Rubber sleeve



Index	Part No.	Part Name	Remark
1	31101070	#N/A	Hydraulic motor VIBO
2	31102074	#N/A	Oil strainer
3	31102075	#N/A	Hydraulic pump
4	31102077	#N/A	O-ring Ø90*2.65
5	31102164	#N/A	Solenoid valve
6	31102081	#N/A	Pressure relief valve
7	31102082	#N/A	Relief value
8	31102162	PCD00026	Coil
9	31102073	#N/A	Coupling
10	31102078	#N/A	Lower cover of oil box
11	31102187	#N/A	Carbon brush (VIBO)



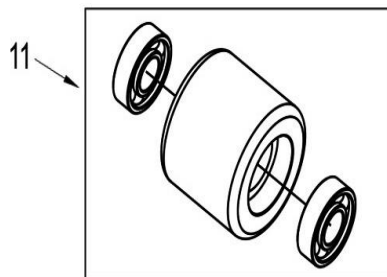
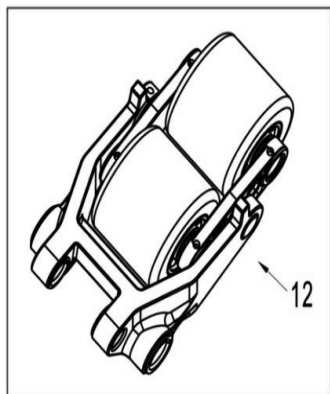
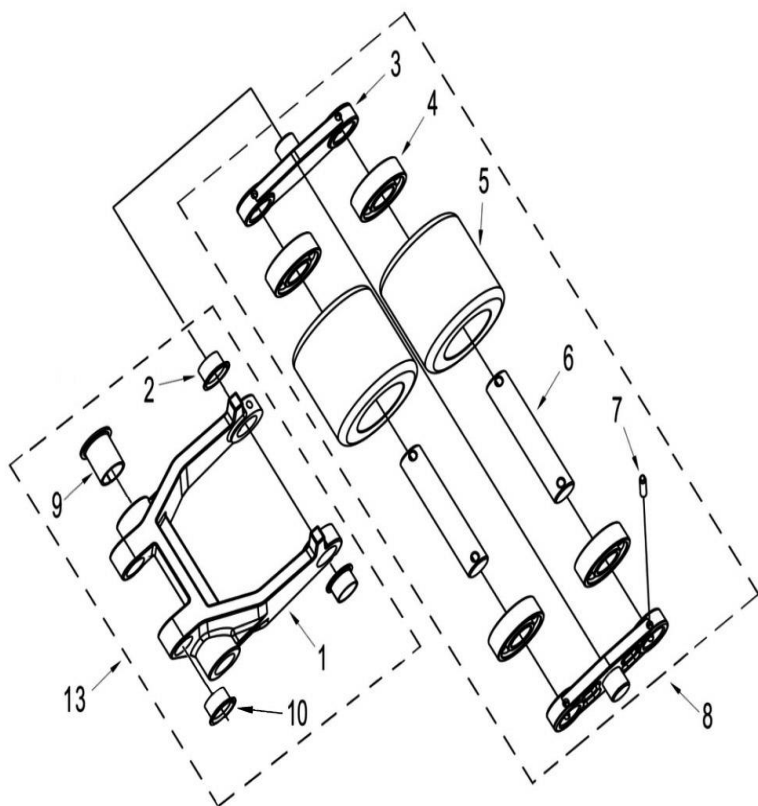
Index	Part No.	Part Name	Remark
1	31102093	#N/A	Hydraulic motor DELI
2	31102097	#N/A	Hydraulic pump
3	21101013	#N/A	O-ring Ø90*2.65
4	31102100	#N/A	Oil strainer
5	31102102	#N/A	Balance valve
6	31102103	#N/A	Solenoid valve
7	31102104	#N/A	Coil
8	31102108	#N/A	Relief value assy.
9	31102098	#N/A	Lower cover of oil box
10	31102188	#N/A	Carbon brush (DELI)



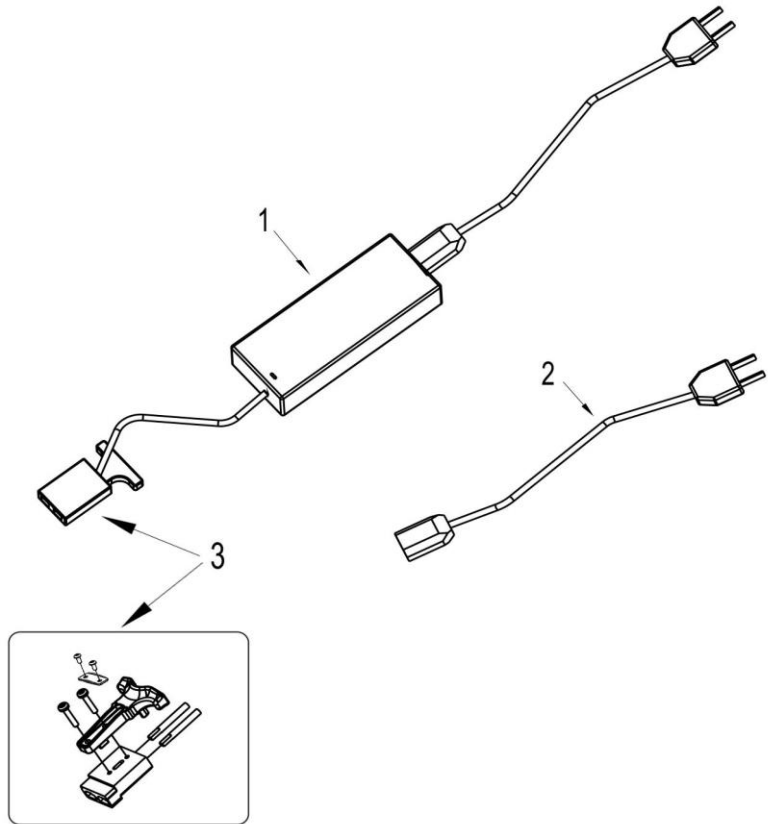
Index	Part No.	Part Name	Remark
1	31101036	#N/A	Frame 550*1150
2	20304502	#N/A	Screw M5*16
3	31102041	#N/A	Cover plate (~2022.9.15)
	31102183	#N/A	Cover plate (2022.9.15~)
4	10301092	Commercial Code	Li-Battery 48V/10Ah (Skyrich Brand)
	10301091	Commercial Code	Li-Battery 48V/15Ah (Skyrich) (option)
5	30102022	#N/A	Cushion block (~2022.05.31)
	10601007	#N/A	Cushion block (2022.06.01~)
6	10301002	PCD00028	Emergency Stop Switch
7	30102021	#N/A	Long Shaft (550)
	30102031	#N/A	Long Shaft (685)
8	21401001	#N/A	Self-Lubricating Bearing 30*25*30
9	31501001	#N/A	Rocker Arm (550)
	31501003	#N/A	Rocker Arm (685)
10	20802002	#N/A	Gasket Ø25
11	21401002	#N/A	Self-Lubricating Bearing 16*18*15
12	30102024	#N/A	Shaft
13	20801001	#N/A	Gasket Ø16
14	30102059	#N/A	Joint
15	20403001	#N/A	Nut M22*1.5
16	30101014	#N/A	Connecting Rod (1150)
17	20901004	#N/A	Spring Pin Ø5*25
18	30102058	#N/A	Connected Shaft
19	21402002	#N/A	Self-Lubricating Bearing 16*18*17
20	30102025	#N/A	Shaft



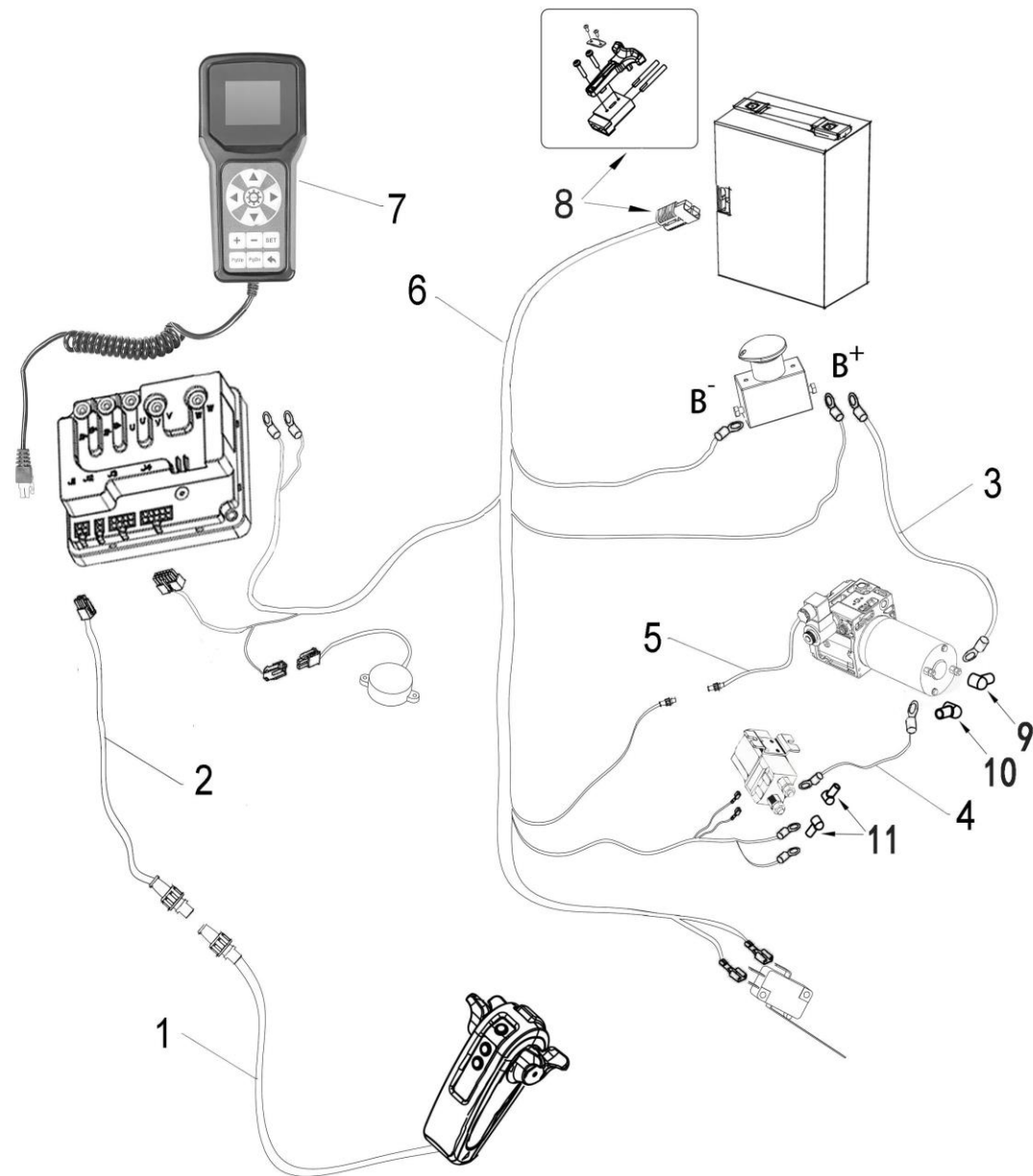
Index	Part No.	Part Name	Remark
21	20901002	#N/A	Spring Pin $\varnothing$ 5*40
22	10301008	#N/A	Emergency Stop Switch Cover
23	31102042	#N/A	Cover 550
	31102043	#N/A	Cover 685
24	30202038	#N/A	Cables sleeve (~2021.10.20)
	30202050	#N/A	Cables sleeve (2021.10.21~)
25	31102020	PCD00029	Contacto
26	31102018	#N/A	Limitation block
27	20202501	#N/A	Screw M5*10
28	31402002	#N/A	Switch sleeve
29	20103502	#N/A	Screw M5*12
30	31102069	#N/A	Nylon gasket
31	31102150	#N/A	Washer
32	31102149	#N/A	Block
33	20309001	#N/A	Screw M8*30



Index	Part No.	Part Name	Remark
1	30102057	#N/A	Wheel Fork
2	21402001	#N/A	Self-Lubricating Bearing 18*20*12
3	30102027	PCD00030	Tandem Mounting Plate
4	20501001	#N/A	Bearing 6204-2RS
5	30102029	#N/A	Double PU Loading Wheel 80*70
	31102091	#N/A	Double PU Loading Wheel 80*70 with REACH certified
6	30102028	PCD00031	Axle 20*93mm
7	20901001	PCD00004	Spring Pin Ø5*35
8	30101025	#N/A	Double PU Loading Wheel ASY.
	30101066	#N/A	Double PU Loading Wheel ASY. with REACH certified
9	21402004	#N/A	Self-Lubricating Bearing 20*23*26.5
10	21402002	#N/A	Self-Lubricating Bearing 16*18*17
11	31101166	PCD00033	Double PU Loading Wheel 80*70mm with bearing
	31101167	#N/A	Double PU Loading Wheel 80*70 with REACH certified with bearing
12	30101073	#N/A	Double loading wheel assy with wheel fork
	30101074	#N/A	Double loading wheel assy with wheel fork (REACH Certified)
13	31101195	PCD00034	Wheel Fork with Self-Lubricating Bearings for double loading wheel



Index	Part No.	Part Name	Remark
1	10301203	PCD00039	Supperpower Charger 48V/5A, 220V, European standard
2	10302116	PCD00040	Plug for Supperpower Charger 48V/2A European standard
	10302027	PCD00041	Plug for Supperpower Charger 48V/5A European standard
3	10301151	PCD00042	Plug assy.(Connector/plug/crews/handle)



Index	Part No.	Part Name	Remark
1	10302018	PCD00005	Handle cables
2	10302040	PCD00044	Truck body communication line
3	10302041	#N/A	B+ lead wire for hydraulic motor
4	10302042	#N/A	B- lead wire for hydraulic motor
5	10302043	#N/A	Lead wire for lowering solenoid valve
6	10302044	PCD00045	Truck body cable harness integration
7	10301007	PCD00046	Hand Held Programmer
8	10301151	PCD00042	Plug assy.(Connector/plug/crews/handle)
9	30202055	#N/A	Insulating sleeve for positive terminal of hydraulic motor (Red)
10	30202056	#N/A	Insulating sleeve for negative terminal of hydraulic motor (Black)
11	31102152	#N/A	Insulating sleeve for contactor (Red)
2~6	10302019	#N/A	Truck body cables
	10302098	#N/A	Truck body cables (UL certified)