



Service
& Parts

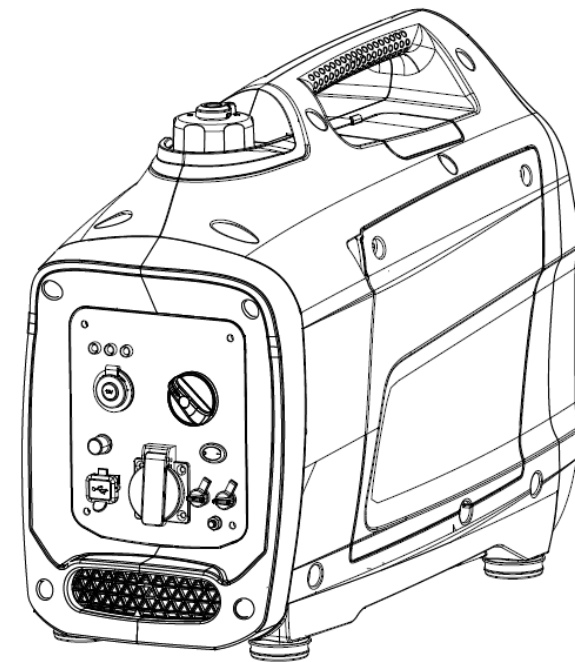
Spare Parts Catalogue

P2200I+HAU

Power systems | **Generating sets**

Valid for machine code: **PF192SX1004**

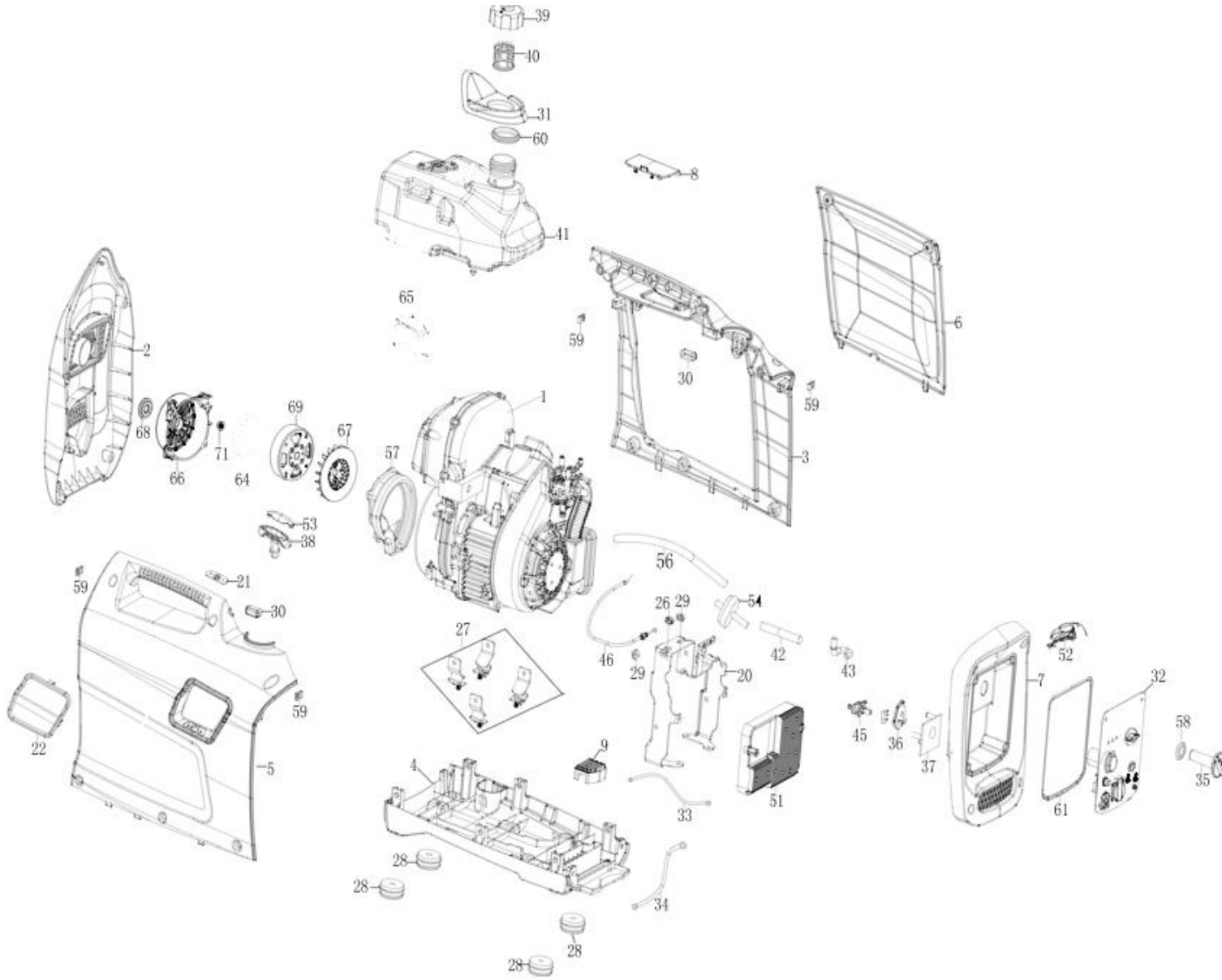
Revision: **0**



Copyright 2022 Pramac Group, All Rights Reserved

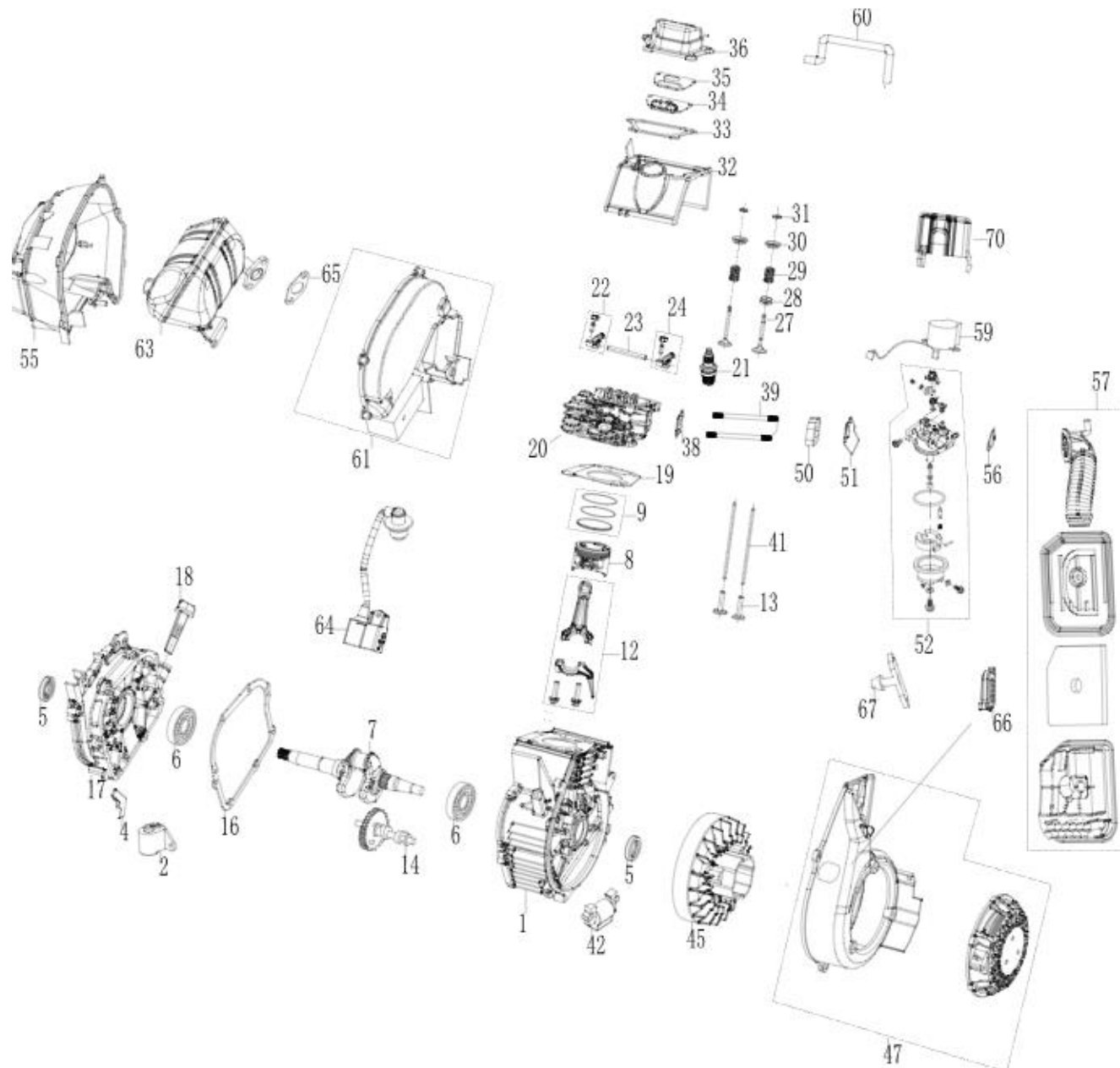
IMPORTANT NOTICE: Before using this information please check if updated releases have been published on Pramac Service & Parts Online Center <http://www.pramacparts.com>





Ref	PR Code	Description	Qty.
1	PGT110009830093	ENGINE DH100i	1
2	PGT500565	MUFFLER BAFFLE	1
3	PGT500569-308	THE RIGHT FRAME	1
4	PGT504300	FLOOR	1
5	PGT500568-308B	THE LEFT FRAME	1
6	PGT500573-308B	THE RIGHT PANEL	1
7	PGT500574	AFTER THE PANEL COVER	1
8	PGT500571-308	THE GATES	1
9	PGT500049	DC VOLTAGE STABILIZER	1
14	PGT500661	SELF-PLUGGING RIVET	2
15	PGT90027	SQUARE NUT M6	6
20	PGT500020	INVERTER STENTS	1
21	PGT500567	PULL ON THE ROPE GUIDE PLATE	1
22	PGT500570	HANDLE DECORATED	1
26	PGT500007	VIBRATION ISOLATION PAD A	1
27	PGT500317	DAMPING BEARING	4
28	PGT500034	CHASSIS SUSPENSION RUBBER PAD	4
29	PGT500008	VIBRATION ISOLATION PAD B	2
30	PGT500009	VIBRATION ISOLATION PAD C	2
31	PGT500572	OIL DRAIN	1
32	PGT504736	PANEL COMP	1
33	PGT500044	GROUNDING WIRE	1
34	PGT500026	EARTH WIRE	1
35	PGT500566	A KNOB	1

Ref	PR Code	Description	Qty.
36	PGT500015	PUII THE TRAY	1
37	PGT500011	THE OIL SWITCH FIXED FRAME	1
38	PGT500018	SHAKE HANDSHANDLE	1
39	PGT500005	THE CAP	1
40	PGT500010	SCREEN	1
41	PGT504033	THE FUEL TANK ASSEMBLY	1
42	PGT95430L	FUEL HOSE	1
43	PGT95431L	FUEL HOSE	1
44	PGT500012	SPRING	1
45	PGT503062	FUEL SWITCH	1
46	PGT500014	BRAKE CABLE	1
51	PGT500181	INVERTER	1
52	PGT500001	DAPUTY HARNESS	1
53	PGT500017	COVER,STARTER GRIP	1
54	PGT516401	FILTER,FUEL	1
56	PGT95470L	FUEL HOSE	1
57	PGT500564	MOTOR FAN COWL	1
58	PGT500575	END CAP	1
59	PGT500060	LOCK CLAMP	8
60	PGT500542	SEAL RING	1
61	PGT500639	WATERPROOF ADHESIVE TAPE	1
64	PGT752009	SHAKE HANDSHANDLE COVER	1
65	PGT202601	MUFFLER COVER SEAL RUBBER	1
66	PGT500036	MOTOR FIXED HOOD	1
67	PGT500037	THE MOTOR FAN	1
68	PGT500039	INLET COVER	1
69	PGT752008	ROTATOR	1
71	PGT90014	NUT, FLYWHEEL M12	1



Ref	PR Code	Description	Qty
1	PGT200203	CRANKCASE	1
2	PGT205101	SWITCH ASSEMBLY,OIL LEVEL	1
4	PGT209903	CLAMPER CORD	1
5	PGT93501	OIL SEAL	2
6	PGT93008	BALL BEARING	2
7	PGT200304	CRANKSHAFT	1
8	PGT211203	PISTON	1
9	PGT211603	SCRAPER RING SET ,PISTON	1
12	PGT201503	ROD ASSEMBLY., CONNECTING	1
13	PGT206101	LIFTER,VALVE	2
14	PGT202002	CAMSHAFT ASSEMBLY	1
16	PGT96004	GASKET,MOULD ASSEMBLING	1
17	PGT200101	COVER ASSEMBLY, CRANKCASE	1
18	PGT205601	DIPSTICK	1
19	PGT96328	GASKET,CYLINDER HEAD	1
20	PGT201003	CYLINDER HEAD,ASSEMBLY	1
21	PGT97101	SPARK PULG	1
22	PGT202102	EXHAUST VALVE ROCKER ASSY	1
23	PGT202103	ROCKSHAFT	1
24	PGT202101	INLET VALVE ROCKER ASSY	1
26	PGT205901	VALVE EXHAUST	1
27	PGT201702	VALVE,IN	1
28	PGT201802	INLET VALVE SPRING SEAT	1
29	PGT206001	SPRING,VALVE	2
30	PGT201801	SEAT, VALVE SPRING,IN	2
31	PGT200801	VALVE LOCK CLAMP	2
32	PGT200503	SHROUD	1
33	PGT96006	PACKING,HEADCOVER	1
34	PGT201103	CYLINDER COVER BREATH BOARD	1
35	PGT201104	BREATH BOARD SEALING GASKET	1

Ref	PR Code	Description	Qty
36	PGT201101	COVER COMP,CYLINDER HEAD	1
38	PGT96007	GASKET,CONNECTION BLOCK	1
41	PGT201902	ROD,PUSH	2
42	PGT97502	MAGNETO IGNITION	1
45	PGT200401	FLYWHEEL	1
47	PGT204710	RECOIL STARTER ASSEMBLY	1
50	PGT202301	THERMAL INSULATION,CARBURATOR	1
51	PGT96121	PAPER WASHER,CARBURATOR	1
52	PGT202805	CARBURETOR ASSEMBLY	1
55	PGT202515	SHIELD, MUFFLER	1
56	PGT96009	GASKET,AIR CLEANER	1
57	PGT202901	AIR CLEANER ASSEMBLY	1
59	PGT752007	STEPPER MOTOR	1
60	PGT95614	TUBE,BREATHER	1
61	PGT202511	MUFFLER COVER	1
63	PGT203712	MUFFLER ASSY	1
64	PGT97610	IGNITION COIL	1
65	PGT96008	GASKET,EXHAUST	1
66	PGT545901	SECONDARY AIR COMPENSATING VALVE	1
67	PGT229902	METHOD OF BLUE	1
70	PGT209906	STEPPER MOTOR PROTECTIVE COVER	1