



Service
& Parts

Spare Parts Catalogue

P3500i

Power systems | **Generating sets**

Valid for machine code: **PF302SXB000**

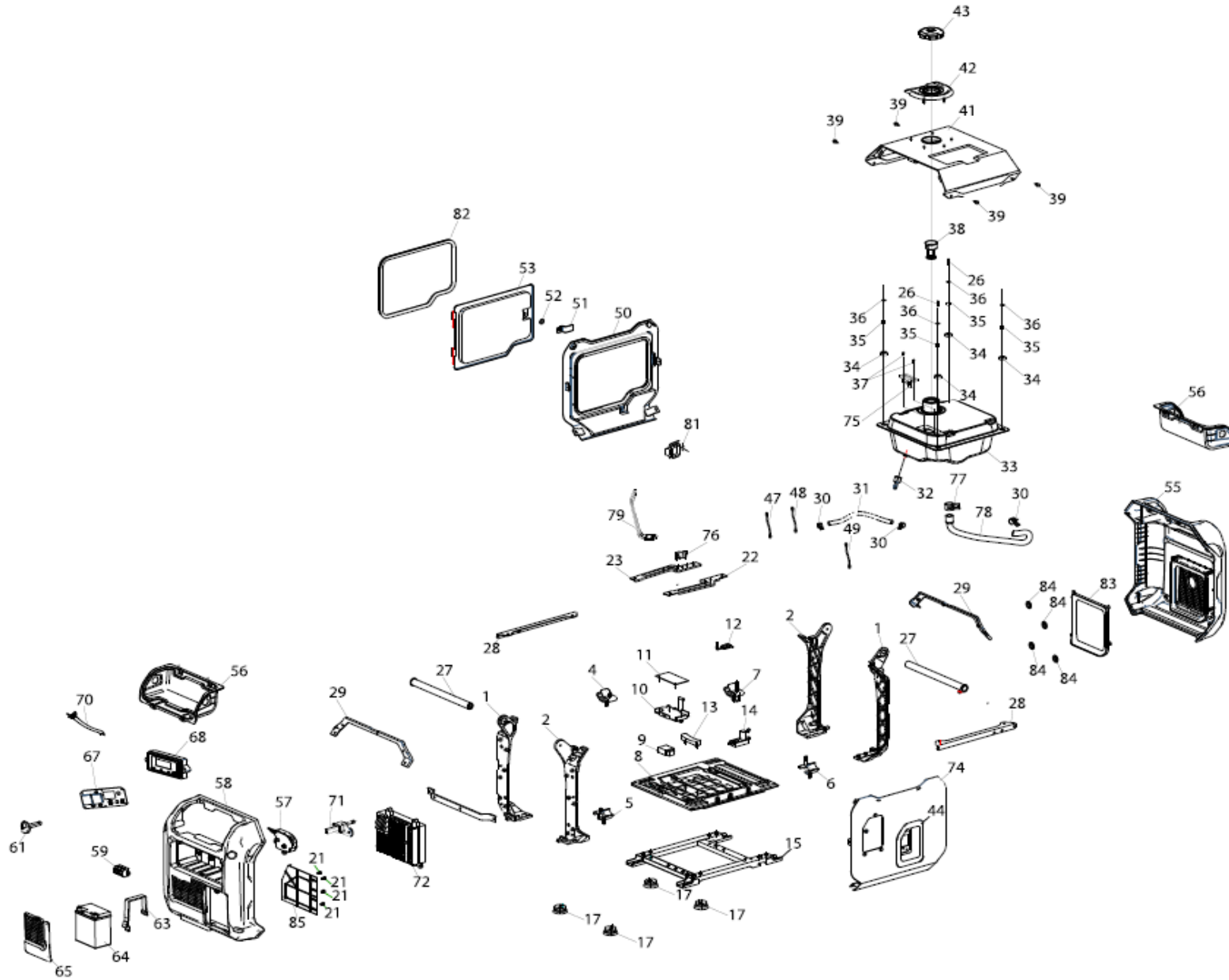
Revision: **0**



Copyright 2022 Pramac Group, All Rights Reserved

IMPORTANT NOTICE: Before using this information please check if updated releases have been published on Pramac Service & Parts Online Center <http://www.pramacparts.com>

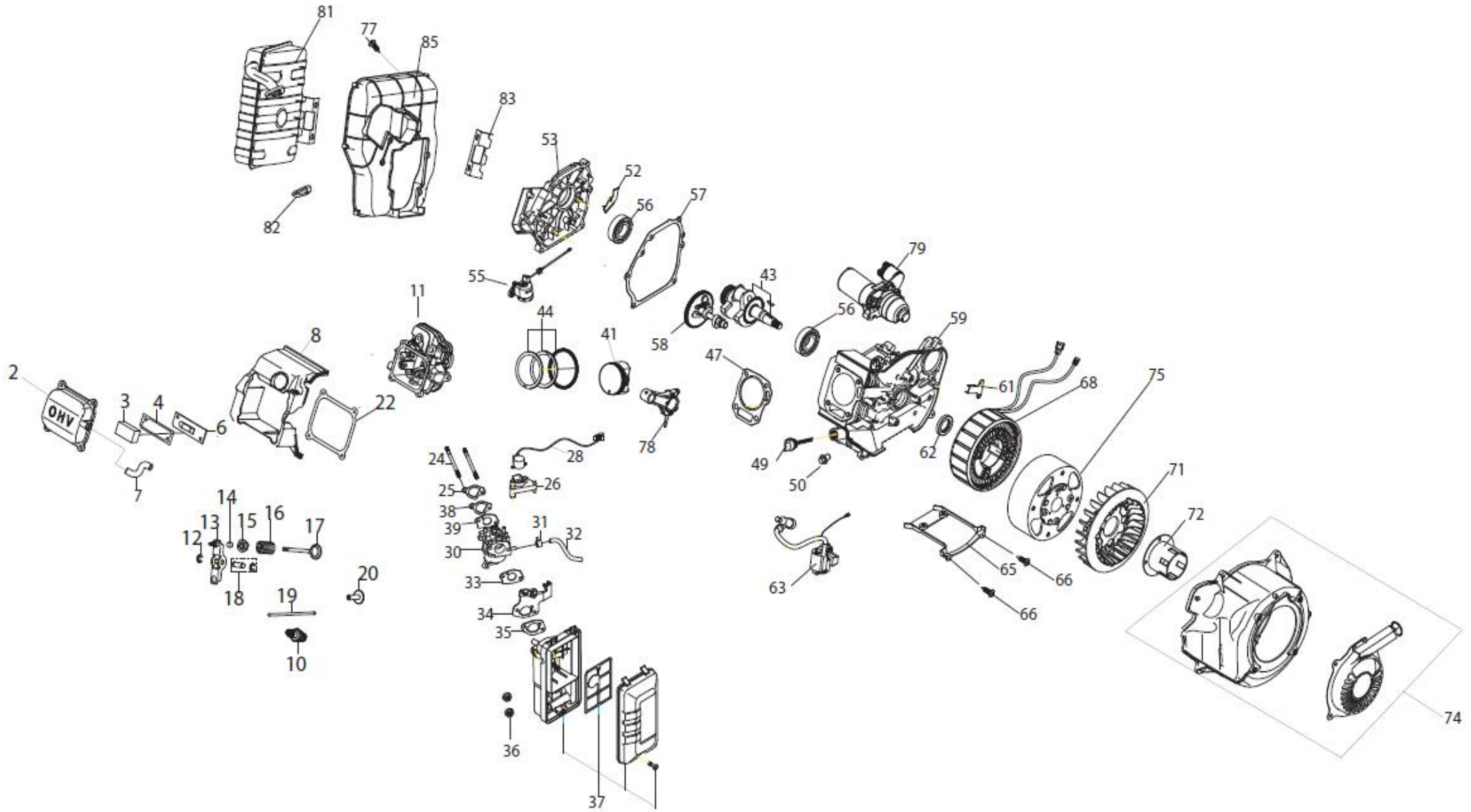




Ref.no	Part No.	Description	Quantity
1	662470005-0001	STANDING FRAME	2
2	662470006-0001	STANDING FRAME	2
4	300780028-0001	BUFFER SOCKET,ENGINE LEFT	1
5	300780033-0001	BUFFER SOCKET,ENGINE LEFT	1
6	300780029-0001	BUFFER SOCKET,ENGINE LEFT	1
7	300780032-0001	BUFFER SOCKET,ENGINE LEFT	1
8	303240008-0001	BACKPLANE ASSY.,FRAME	1
9	272900037-0001	CHARGER	1
10	271110182-0001	CASE,BATTERY	1
11	290340057-0001	BUMPING BLOCK	1
12	381000309-0001	STOPPER	1
13	290340040-0001	BUMPING BLOCK	1
14	PGL00013	UNIT ASSY.,C.D.I.	1
15	302840205-0001	BACKPLANE,FRAME	1
17	PGL00018	CUSHIONED SOCKET,RACK	4
21	380310135-0001	SCREW,CROSS RECESSED PAN SELF-TAPPING	7
22	341950005-0001	SHOE PLATE,ENGINE	1
23	341950006-0001	SHOE PLATE,ENGINE	1
27	320400084-0001	PIPE COMP.,STEERING HANDLE	2
28	172840054-0001	BRACKET,FUEL TANK MOUNTING	2
29	300730053-0001	STRUT RAIL,RACK	2
30	380960155-0002	HOOP ASSY	3
31	380750833-0001	TUBE,FUEL	1
32	PGL00040	NOZZLE OF FUEL TANK	1

Ref.no	Part No.	Description	Quantity
33	PGL00037	FUEL TANK COMP	1
34	170700050-0001	PAD,FUEL TANK CUSHION	4
35	170710014-0001	LINING,FUEL TANK CUSHION PAD	4
36	380450444-0002	WASHER,PLAIN	4
38	PGL00038	STRAINER ASSY.,POURING ORIFICE	1
39	290340058-0001	BUMPING BLOCK	4
41	302850009-0002	COPING,FRAME	1
42	290340058-0001	BUMPING BLOCK	1
43	PGL00039	CAP,FUEL TANK	1
44	661940006-0001	DECORATIVE COVER OF ROPE LEVER	1
47	272980030-0001	GROUNDING LEAD,GENERATOR	1
48	272980031-0001	GROUNDING LEAD,GENERATOR	1
49	272980032-0001	GROUNDING LEAD,GENERATOR	1
50	661840006-0002	LEFT OUTER CASE OF GENERATOR	1
51	194600006-0001	PALLET	1
52	380510029-0001	WASHER,WAVE	1
53	661860015-0001	LEFT COVERING PLATE	1
55	PGL00071	LOUVER	1
56	PGL00072	SHIELD,STEERING HANDLE PIPE	2
57	PGL00054	COMBINED SWITCH	1
58	271970037-0001	BASE,PANEL	1
59	271240004-0001	PLATE,WIRE HARNESS CONNECTING	1
61	PGL00008	KNOB,FUEL SWITCH	1
63	380900247-0001	BAND	1

Ref.no	Part No.	Description	Quantity
64	PGL00015	BATTERY ASSY	1
65	662460002-0001	COVER OF BATTERY MAINTENANCE POR	1
67	PGL00036	CONTROL PANEL COMP	1
68	PGL00002	INDICATOR GAUGE,MULTIFUNCTION	1
70	272040168-0001	CORD,CONTROL PANEL	1
71	PGL00057	SWITCH,FUEL	1
72	PGL00009	FREQUENCY CONVERTER COMP	1
74	661850005-0002	RIGHT OUTER CASE OF GENERATOR	1
75	281850348-0001	SENSOR,FUEL LEVEL	1
76	662690001-0001	RUBBER OF OIL DRAINAGE	1
77	380960120-0004	HOOP ASSY	1
78	380750693-0001	TUBE,FUEL	1
79	300710112-0001	BRACKET,AIR CLEANER	1
81	381000393-0001	STOPPER	1
82	380841179-0001	RING,SEAL	1
83	661880008-0001	FAIRING	1
84	380490019-0001	WASHER,LOCK	4
85	661890002-0001	AIR INLET GUIDING PLATE OF FREQUENCY CONVERTER	1



Ref.no	Part No.	Description	Quantity
2	120230109-0001	Cylinder head cover	1
3	150290027-0001	Engine oil Strainer	1
4	110850018-0001	PACKING, BREATHER CHAMBER	1
6	110840024-0001	CAP,BREATHER CHAMBER	1
7	380741339-0002	Breather tube	1
8	160190092-0001	air deflector	1
10	PGL00030	Spark plug	1
11	120080532-0001	Cylinder head	1
12	380570024-0003	Split damping ring	2
13	140450056-0001	Valve rocker combination	2
14	140320001-0001	Valve adjustment cap	2
15	PGL00095	Retainer, valve spring	2
16	140340022-0001	Inner spring of valve	2
17	PGL00094	Valve Kit	1
18	141730001-0001	Valve rocker shaft	2
19	140670041-0001	Push rod	2
20	140690003-0001	Lifter, Valve	2
21	140400016-0001	Valve oil seal	1
22	120250043-0001	Gasket for cylinder head cover	1
24	380180095-0001	Stud	2
25	170430060-0001	Carburetor gasket	1
26	660920008-0001	Mounting bracket of speed-regulated step motor	1
28	PGL00081	Stepping motor	1
30	PGL00021	Carburetor	1

Ref.no	Part No.	Description	Quantity
32	380750693-0001	Oil tube	1
33	170430140-0001	Carburetor gasket	1
34	171480028-0001	Choke valve bracket	1
35	170430180-0001	Carburetor gasket	1
36	380370066-0002	Hexagon nut with flange	2
37	PGL00014	Air filter	1
38	170440099-0001	Heat insulating pad for carburetor	1
39	170430048-0001	Carburetor gasket	1
41	130030208-0001	Piston	1
43	130290447-0001	crankshaft	1
44	130070187-0001	Piston ring combination	1
47	120150193-0001	Gasket for cylinder head	1
48	380600117-0001	ocation pin	4
49	110690073-0001	Oil rule combination	1
50	110260025-0001	Sealing plug screw	1
52	110480032-0001	Pressing plate	1
53	110820122-0001	Crankcase cover	1
55	PGL00056	Oil level sensor	1
56	380630417-0001	Bearing	2
57	PGL00077	Crankcase cover gasket	1
58	140020114-0001	Camshaft assy	1
59	110810447-0001	Crankcase body	1
60	380930027-0001	Location wire nail	1
61	110480030-0001	Pressing plate	1

Ref.no	Part No.	Description	Quantity
62	380650347-0001	Oil seal	1
63	PGL00042	COIL ASSY.,IGNNTION	1
65	160200054-0001	Side plate	1
66	380310135-0001	Cross recessed pan head tapping screw	9
68	660100183-0001	Motor stator	1
71	660130007-0001	Motor fan	1
72	193590035-0001	Starting disc	1
74	PGL00058	Fan cover comp.	1
75	PGL00086	Motor rotor	1
77	380310137-0001	Cross recessed pan head tapping screw	1
78	130150054-0001	Connecting rod	1
79	PGL00003	Components of starting motor	1
81	180690286-0001	Muffler body	1
82	180650065-0001	Outlet gasket	1
83	180990090-0001	Muffler bracket	1
85	180960164-0001	Muffler guard shield	1
62	380650347-0001	Oil seal	1
63	PGL00042	COIL ASSY.,IGNNTION	1
65	160200054-0001	Side plate	1
66	380310135-0001	Cross recessed pan head tapping screw	9
68	660100183-0001	Motor stator	1
71	660130007-0001	Motor fan	1
72	193590035-0001	Starting disc	1
74	PGL00058	Fan cover comp.	1