

Spare Parts Catalogue

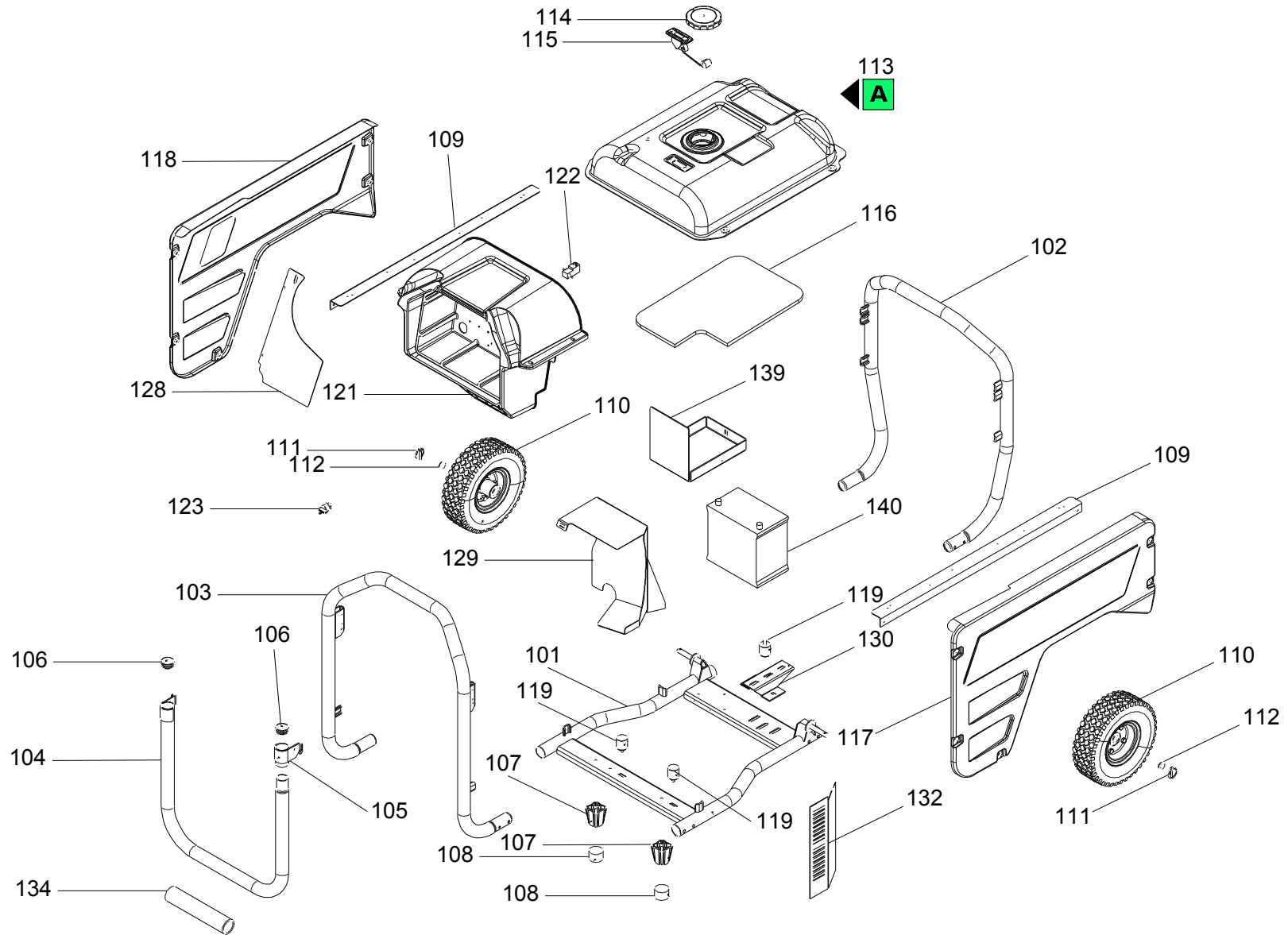
S8000-2015-MONOPHASE-

Power systems | Generating sets

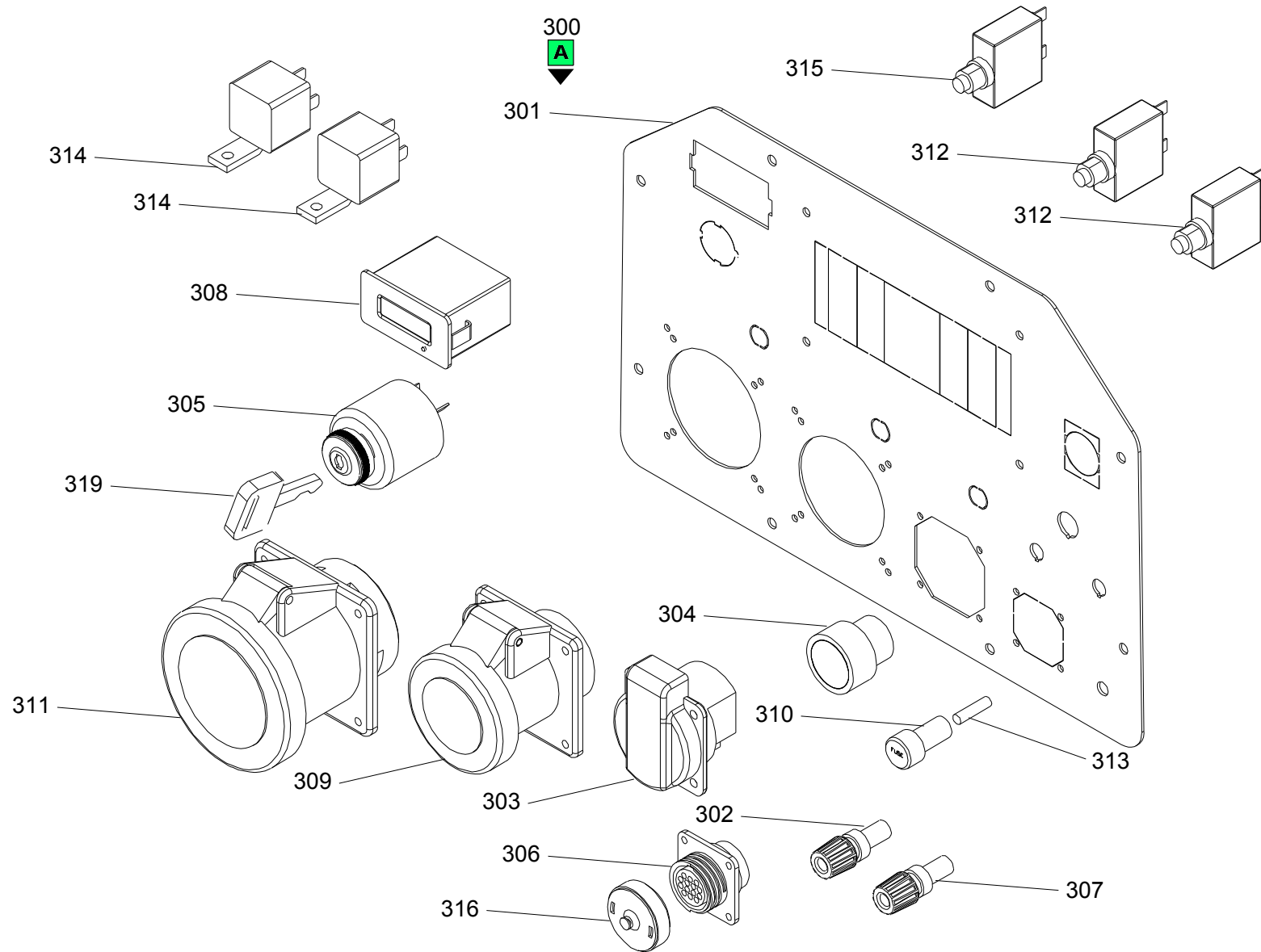
Valid for machine code: PD612SHBZ01

Revision: 0 (9/2015)

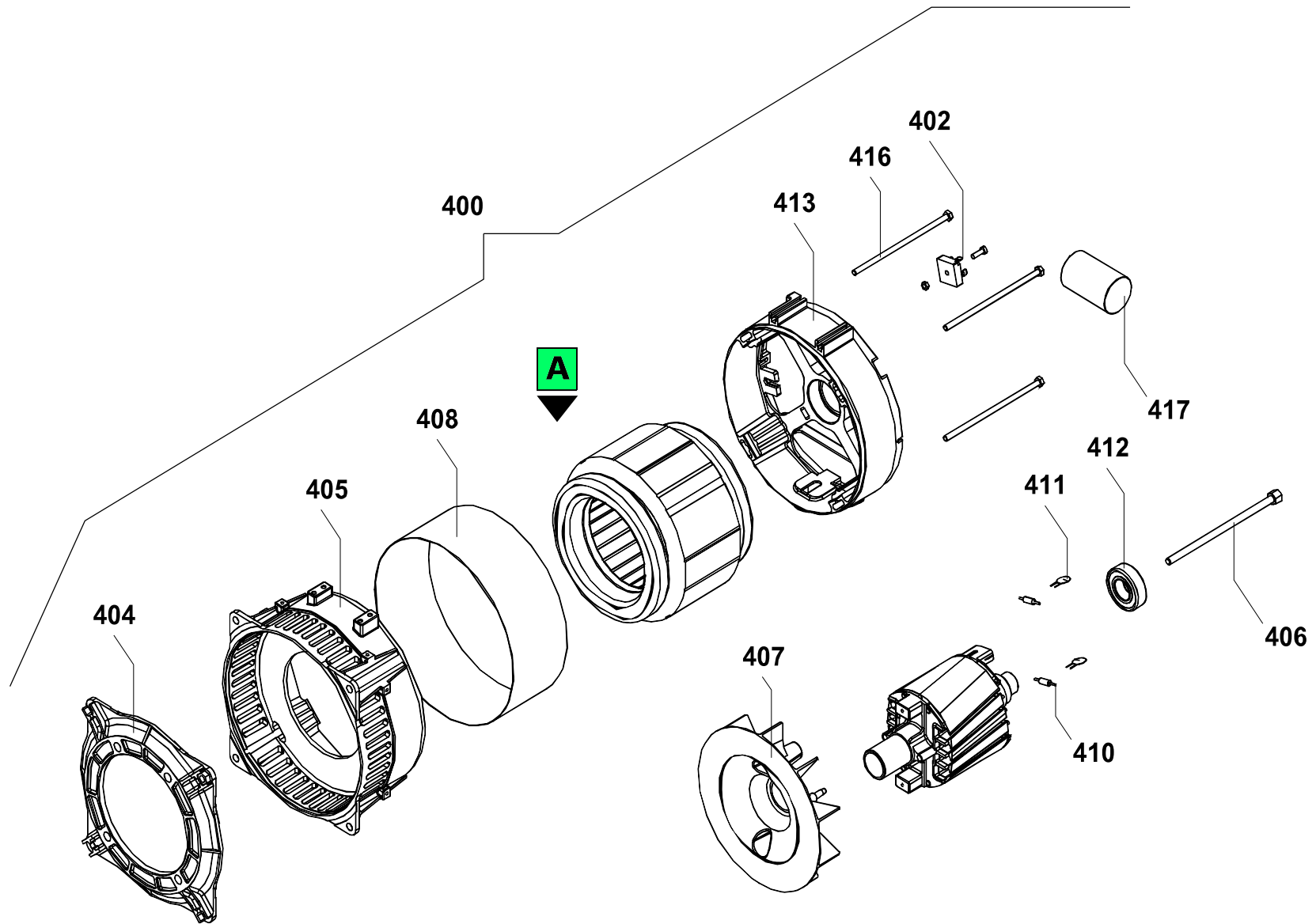
Copyright 2016 Pramac Group, All Rights Reserved.



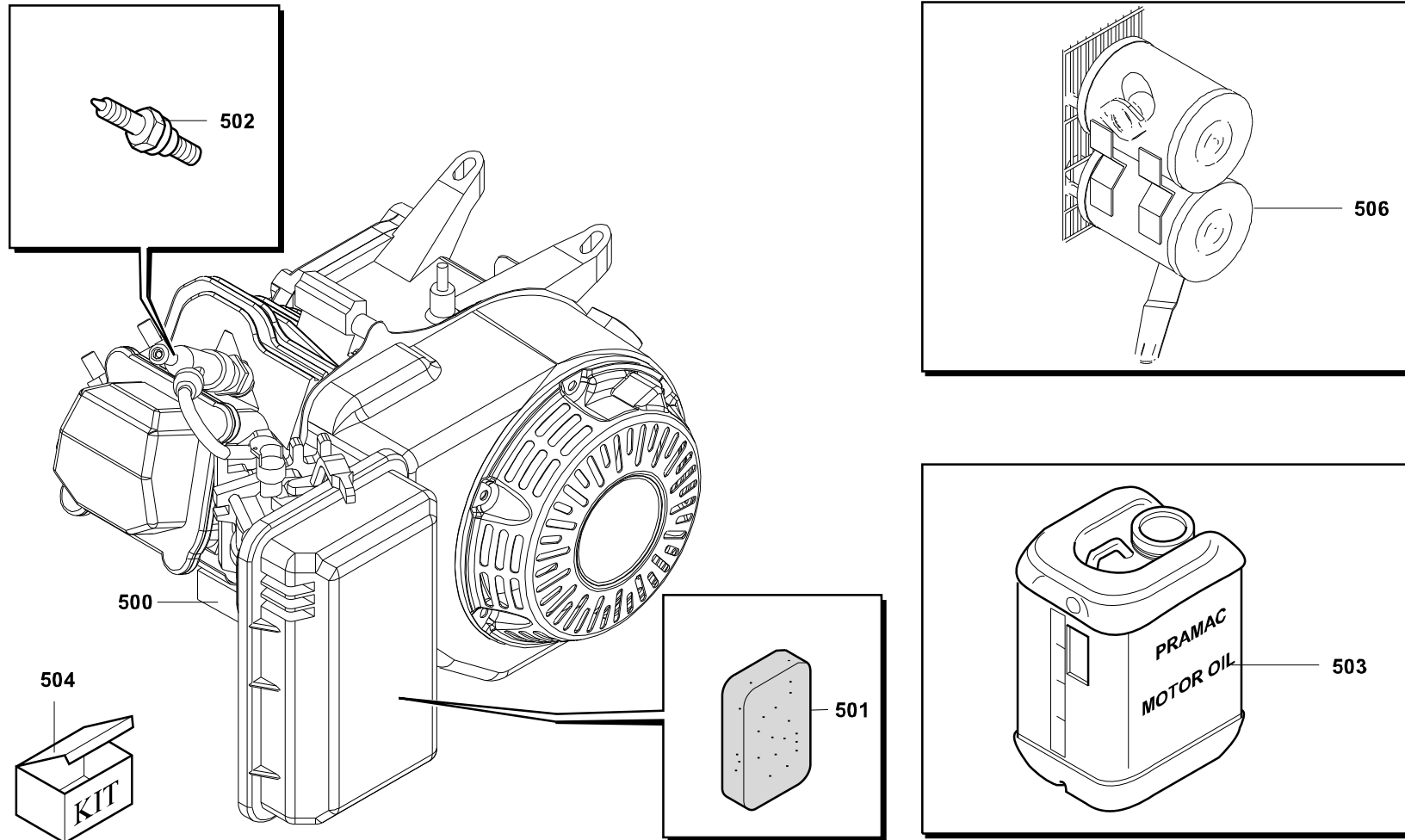
Position	Part Number	Description	Notes
101	VA40016040-9005B	Painted Central Part Of Multibody Frame	-
102	VA40016043-9005B	Painted Assembled Pipe Alternator, Multibody Frame	-
103	VA40016045-9005B	Painted Assembled Pipe Engine, Multibody Frame	-
104	VA40016049-9005B	Painted Assembled Carrying Handle	-
105	VA40016047-9005B	Painted Mobile Connection For Carrying Handle	-
106	G051519	Plastic Cap Ø 35 Black	-
107	GA7021	Feet Support +nut+screw	-
108	G052956	Rubber Feet 85 Sh-a	-
109	GA7032	Metal Sheet Support For 26,5 L Fuel Tank	-
110	G052444	Wheel 3,5"x10" Rubber Filled Flat Tread, Black Rim With Sphere Bearings	-
111	G44208	Bell Split Pin D4.5(p.n.115 Ama)	-
112	G041908	Plain Washer 6592 13x24 Zn	-
113	SA40016052	Fuel Tank With Supplements	-
114	G051521	Shell Fuel Cap For Metal Tank - Vent Holes On Top	-
115	G080307	Fuel Tank Gauge For Metal Tank Of 26,5 L	-
116	SA40021903	Termoisolante Protezione Serbatoio New S5000-s8000	-
117	VA40016700-PRAMACB	Painted Right For Multibody Frame	-
118	VA40016701-PRAMACB	Painted Left For Multibody Frame Painted	-
119	G052120	Cylindric Silent-block Mf-40x40-m8x14-m8-45	-
121	SA40016055	Control Panel Housing For S Series Restyling	-
122	G079016	Electrovalve Choke S5-8000 No Direct Action12vcc	-
123	G085104	Quarter Turn Fuel Valve	-
128	SA40016702	Carburator Conveyor	-
129	VA40016051-9005B	Muffler Conveyor Painted	-
130	GA7028	Alternator Support	-
131	SA40016703	K-kr100 Alternator Conveyor	-
132	SA40016053	T-tr100 Alternator Conveyor	-
134	G052008	Covering For Carrying Handle D.35 Mm	-
139	VA7076-9005B	Painted Battery Plate New Series S	-
140	G089001	Battery 26ah 12v Sealed - 205x132x185.5	-



Position	Part Number	Description	Notes
300	SA40016969	New Control Panel S8000 Sp Conn Es - Ge0496	-
301	VA7039-9005	Metal Sheet For Control Panel New S Series Painted	-
302	G070109	Battery Charger Red Screw Terminal	-
303	G071131	Socket Subassembly, Power Supply	-
304	G075171	Black Push Button Not Illuminated For 22 Hole With Lock Nut	-
305	G075310	Starter Key Switch	-
306	G071021	Female Connector 14contacts Com. Dist.	-
307	G070110	Battery Charger Black Screw Terminal	-
308	G077009	Digital Multimeter Single Phase For Panel	-
309	G071121	Panel Mount Socket 2p+t 230v 16a Ip44 Cee	-
310	G070617	Panel Mount Fuse Holder 6a (5x20)	-
311	G071136	Socket 2p+t 230v 32a Ip44 Cee	-
312	G075561	Thermal Circuit Breaker 16a 240v	-
313	G070616	Fuse 10a 5x20 Glass	-
314	G079583	Rele' 12v 1 30/20a 12.040.000	-
315	G075535	Thermal Circuit Breaker 25a	-
316	G071091	Sealing Cap With Bead Chain - 14 Poles Connector	-
319	G76926	Key Block Body For Starter Switch	-



Position	Part Number	Description	Notes
400	AMS6000CB000XY	Alternator S20w-95/a 6/115/230/50/3000/12 J609b	-
402	PAM0391400607	Rectifying Diode Bridge Mf (skb25-08)	-
404	PAM0390600175	Flange Alt. Ar2 J609b - S20w	-
405	PAM0391700333	Cover Ar2	-
406	PAM00012	Securing Stud S20w 7.2 186mm	-
407	PAM0392000041	Fan S20w	-
408	PAM0390601053	Enclosing Band S20w 6kva	-
410	PAM9910356050	Diode D2/125 25a	-
411	G70459	Varistor Z-10-l-561	-
412	G70704	Rear Bearing 6205-2z	-
413	PAM0390302222	Alt. Front Cover Ar2/110	-
416	PAM0391800322	Cover Stay Bolt S20w 6kva	-
417	G079102	Capacitor 35uf 450v	-



Position	Part Number	Description	Notes
500	EHA130CB21W	Engine Honda Gx390rt2 Vpe9 Air_3000_mech_j609b-_12vdc__ver/sp:	-
501	PEH17211-899-000	Air Filter Element	-
502	PEH98079-56846	Spark Plug Bpr6es	-
503	P3KI00299	Kit Pramac Power	-
504	P3KI00331	Es8000-s8000-sp8000 Maintenance Kit	-
506	SA40016962	Muffler With Protection For S8000 Restyling	-