

Spare Parts Catalogue

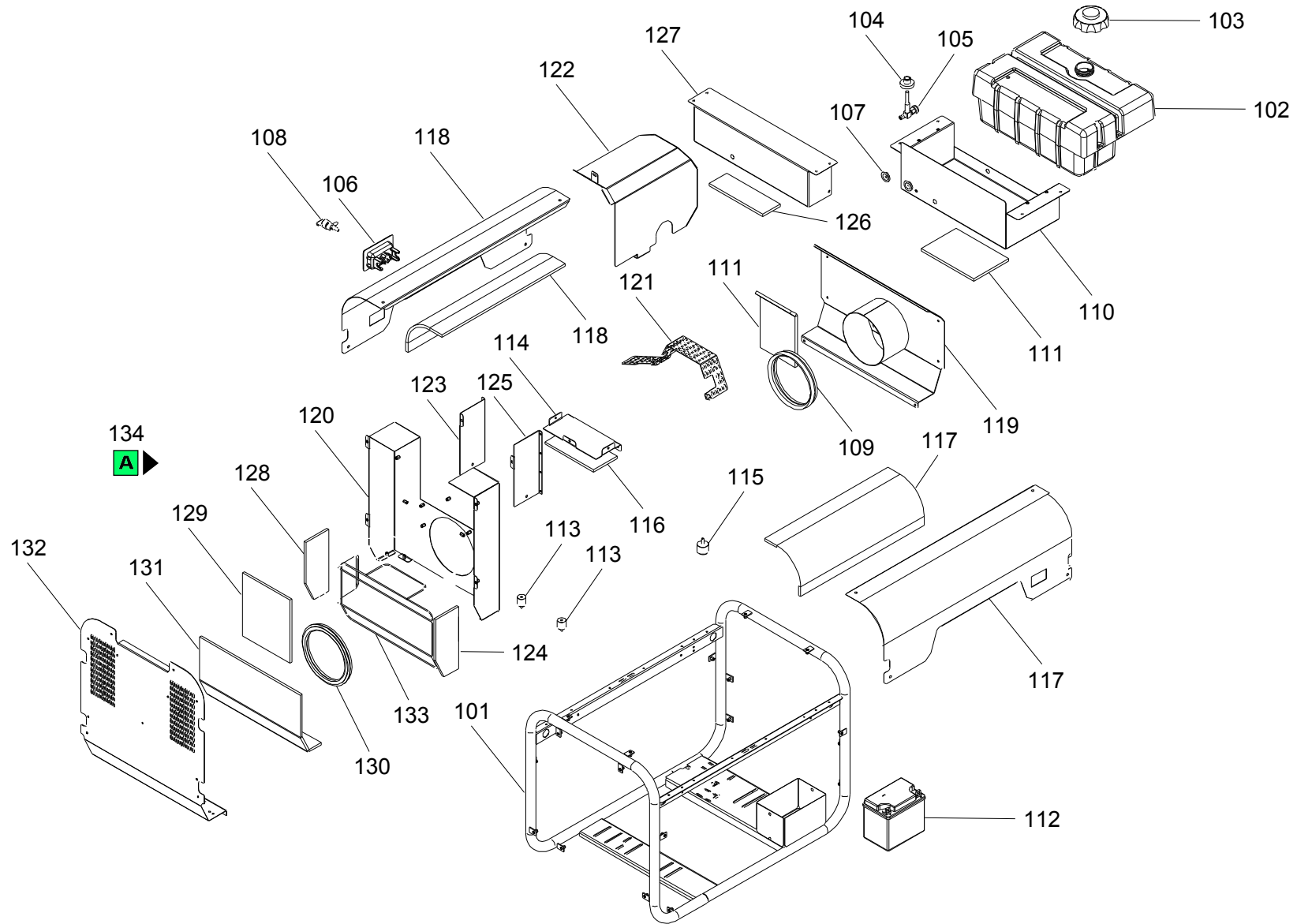
S12000-2010-MONOPHASE+CONN+DPP

Power systems | Generating sets

Valid for machine code: PD103SHBZ0F

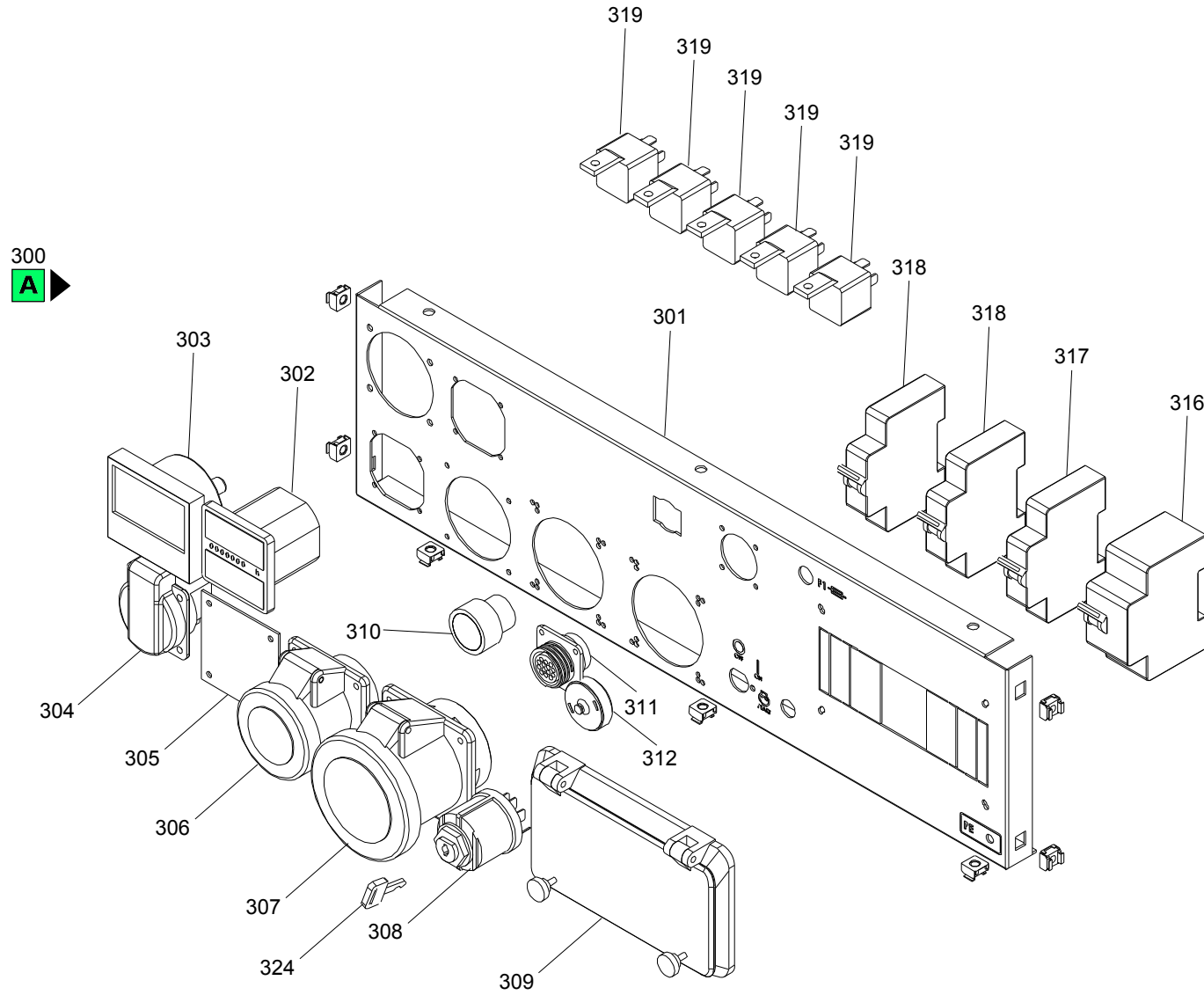
Revision: 0 (3/2015)

Copyright 2016 Pramac Group, All Rights Reserved.

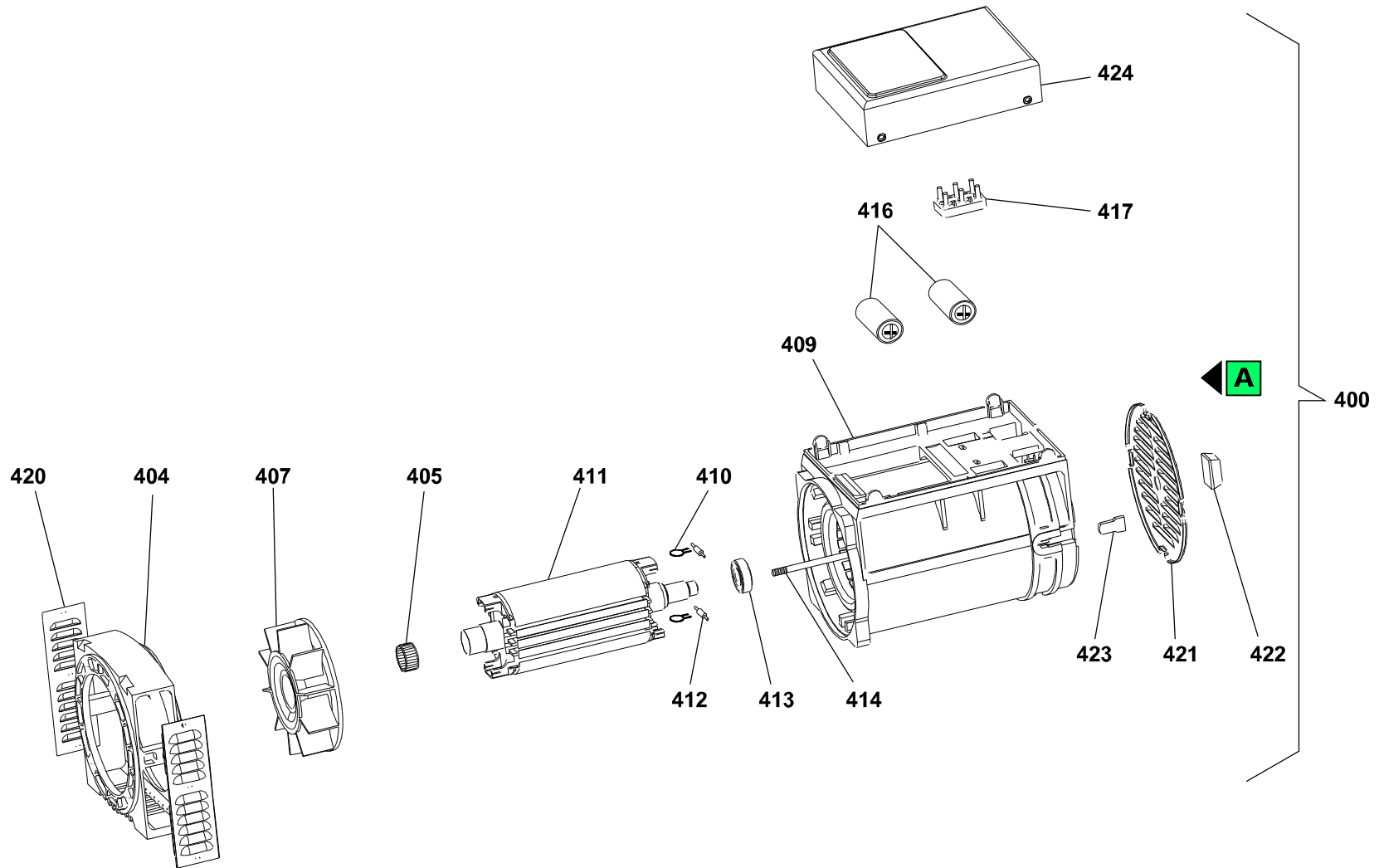


Position	Part Number	Description	Notes
101	▲ VA40002027-9005B	Frame Painted S12000 With Gx630	Valid for products manufactured until 09/02/2012
	▲ VA40002029-9005B	Complete Frame S-sp12000	Valid for products manufactured from 09/02/2012
102	SA10002904	Fuel Tank Petrol/diesel 24 Liters	-
103	G080201	Obsolete Use G080215	-
	G080215	Fuel Cap Without Key - Vent Holes On Top	-
104	G084801	Grommet Valve #10672	-
105	G085100	Needle Valve Bushed - Ref.11478	-
106	SA40016960	Insert Fuel Valve Holder	-
107	G070208	Wire Bush Open 3932-36-a	-
108	G085102	Gasoline Loose Plastic Tap	-
109	G091203	Straight Armoured Rubber Edge	-
110	▲ VA9329-9005	Protezione Serbatoio S12000*hepi Verniciato	Valid for products manufactured until 11/12/2013
	▲ VM5F000001-9005B	Support Tank S12000 Painted Ral 9005b	Valid for products manufactured from 11/12/2013
111	SA40002904	Termoisolante Protezione Serbatoio S12000*hepi	-
112	G089001	Battery 26ah 12v Sealed - 205x132x185.5	-
113	G052112	Cilindric Silent-block Mf-30x30-m8x15-m8-60	-
114	VA9523-9005	Engine Cap Duct Painted	-
115	G052183	Silent-block Cil. Mf-40x30-m8x23-m8-45	-
116	SA40002910	S12000 Inside/outside Soundproof	-
117	SM5Z003170	S12000 Lateral Panel Ral Pramacb	-
118	SM5Z003172	Panel Lateral Con Anclaje Para Grifo S12000 Forrado Ral Pramacb	-
119	▲ VM5S000001-9005B	S12000 Alt. Sep. Painted Ral 9005b	Valid for products manufactured from 19/11/2013
	▲ VA9694-9005B	Duct Alternator Painted S12000 With Gx630	Valid for products manufactured until 19/11/2013
120	▲ VM5S000002-9005B	Separador Motor Pintado Ral 9005b	Valid for products manufactured from 19/11/2013
	▲ VA40002704-9005	Complete Engine Air Duct S12000 Painted	Valid for products manufactured until 19/11/2013
121	VA9693-9005B	Protection Painted Manifolds S12000 With Gx630	-
122	▲ VA40003012-9005	Painted Silencer Screening S/sp12000	Valid for products manufactured from 09/02/2012
	▲ VA40002009-9005	Schermatatura Marmitta Verniciata S12000*hepi	Valid for products manufactured until 09/02/2012
123	GM2107	Pieza 3 Separador Motor Plegado	-
124	SA40002908	S12000 Left Lateral Soundproof	-
125	GM2106	Pieza 2 Separador Motor Plegado	-
126	SA40002905	Termoisolante Protezione Quadro S12000*hepi	-
127	▲ VM5H400009-9005B	Support Control Panel Serie S Painted Ral 9005b	Valid for products manufactured from 11/12/2013
	▲ VA9328-9005	Protezione Quadro S12000*hepi Verniciato	Valid for products manufactured until 11/12/2013
128	SA40002909	S12000 Right Lateral Soundproof	-
129	SA40002911	S12000 Outside Frontal Engine Soundproof	-
130	G091201	Armoured Rubber Edge A 90	-

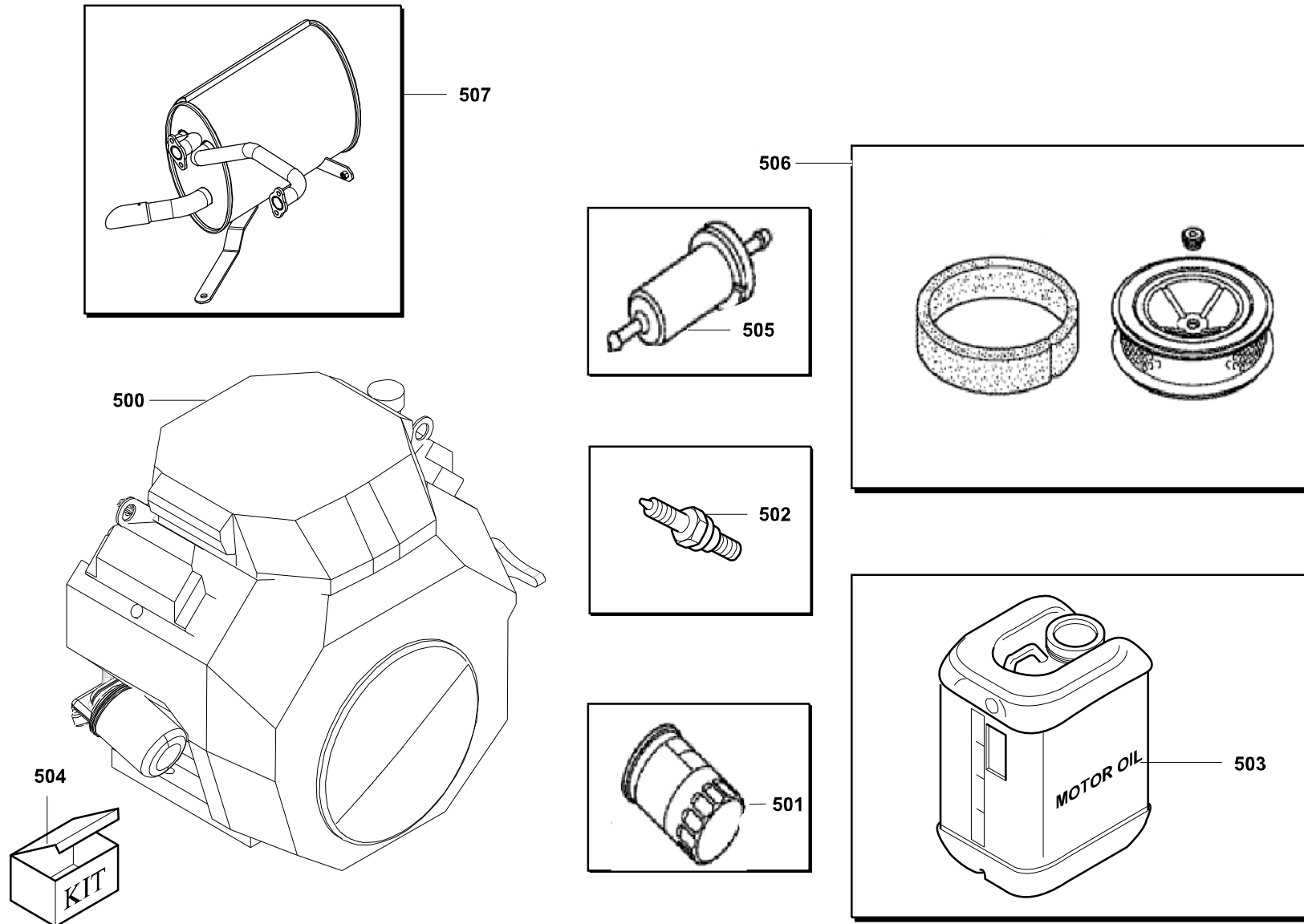
Position	Part Number	Description	Notes
131	SA40002912	S12000 Inside Frontal Fan Soundproof	-
132	VA9524-9005	S12000 Frontal Engine Sheet Metal Painted	-
133	ZA9647	Galvanized Locking Frame For Noise Insulation Foam S12000	-
134	SM5Z003180	Fondo Motor S12000 Forrado Ral 9005b	-



Position	Part Number	Description	Notes
300	SA40002026	El. Panel S12000 Singlephase + Conn + Dpp	-
301	GA9700	Sheetmetal Panel S12000 Optional + Conn	-
302	G079033	Panel Mount Hour Meter (230v)	-
303	G079833	Voltmeter 0-300v D.56	-
304	G071131	Socket Subassembly, Power Supply	-
305	GA7808	Cover Hole Sheet For Cee Socket	-
306	G071121	Panel Mount Socket 2p+t 230v 16a Ip44 Cee	-
307	G071136	Socket 2p+t 230v 32a Ip44 Cee	-
308	G075310	Starter Key Switch	-
309	G070312	Ip55 Cover 8 Modules Din	-
310	G075171	Black Push Button Not Illuminated For 22 Hole With Lock Nut	-
311	G071021	Female Connector 14contacts Com. Dist.	-
312	G071091	Sealing Cap With Bead Chain - 14 Poles Connector	-
316	G075594	Differential Magnetothermal Breaker 2p 40a 230v 0.03a 4.5ka	-
317	G075567	Magnetothermic Switch 1p 32a	-
318	G075568	Magnetothermic Switch 1p 16a	-
319	G079583	Rele' 12v 1 30/20a 12.040.000	-
324	G76926	Key Block Body For Starter Switch	-



Position	Part Number	Description	Notes
400	AMS10000CB0000Y	Alternator S20fs-160/a 10/115/230/50/3000 J609b	-
404	G70695	Cover B9/j609b Tr2/mr2	-
405	G70693	Compensator Ring (mod. Bn 35x23)	-
407	G70703	Fan Tr2/mr2	-
410	PAM9910356050	Diode D2/125 25a	-
412	G70459	Varistor Z-10-l-561	-
413	G70704	Rear Bearing 6205-2z	-
417	PAM0391100113	Board Terminal Mecc Alte S20f	-
420	G70929	Protection Grid Mr2-tr2 B9/j609b	-
421	G70700	Rear Shutter Tr2/mr2	-
422	PAM0391802007	-	-
424	G69996	Blind Cover	-



Position	Part Number	Description	Notes
500	EHA208CB05Z	Engine Honda Gx630rh Vxp2 Sd Air_3000_mech_j609b-_12vdc__ver/sp:	-
501	PEH15400-RBA-F01	Oil Filter Cartrid	-
502	PEH98079-5587G	Spark	-
503	P3KI00299	Kit Pramac Power	-
504	P3KI00142	Kit S12000-sp12000-p12000 Gx630	-
505	PEH16910-Z6L-003	Fuel Filter	-
506	PEH17210-Z6L-010	Filter Air	-
507	▲ SA40002918	Muffler Honda Gx630 For S12000 - Mts	Valid for products manufactured from 25/08/2014
	▲ SA40002914	Muffler Honda Gx630 For S12000	Valid for products manufactured until 25/08/2014