

0

1

2

3

4

5

6

7

8

9

THIS ELECTRICAL DRAWING CONSISTS OF THE FOLLOWING SHEETS

Description	
SHEET	
IN	INDEX
LI	ELECTRICAL COMPONENTS LIBRARY
01	ENGINE CONNECTIONS FOR VERSIONS STD, IPP, DPP, AVR, EXPORT
02	ENGINE CONNECTIONS FOR VERSIONS CONN
03	CONNECTIONS FOR VERSIONS SAS + IPP
04	POWER CONNECTIONS FOR VERSION SINGLE PHASE STD
05	POWER CONNECTIONS FOR VERSION SINGLE PHASE AVR
06	POWER CONNECTIONS FOR VERSION SINGLE PHASE DPP
07	POWER CONNECTIONS FOR VERSION SINGLE PHASE IPP
08	POWER CONNECTIONS FOR VERSION SINGLE PHASE AVR + DPP
09	POWER CONNECTIONS FOR VERSION SINGLE PHASE AVR + IPP
10	POWER CONNECTIONS FOR VERSION THREE PHASE STD
11	POWER CONNECTIONS FOR VERSION THREE PHASE DPP
12	POWER CONNECTIONS FOR VERSION THREE PHASE IPP
13	POWER CONNECTIONS FOR VERSION SP12000
14	POWER CONNECTIONS FOR VERSION S12000 + AMF
15	POWER CONNECTIONS FOR VERSION SINGLE PHASE S12000+HUK+AVR (63A)
16	POWER CONNECTIONS FOR VERSION SINGLE PHASE EXPORT
17	POWER CONNECTIONS FOR VERSION THREE PHASE EXPORT

**ELECTRIC PANEL FOR S-SP-P12000**  
**INDEX**

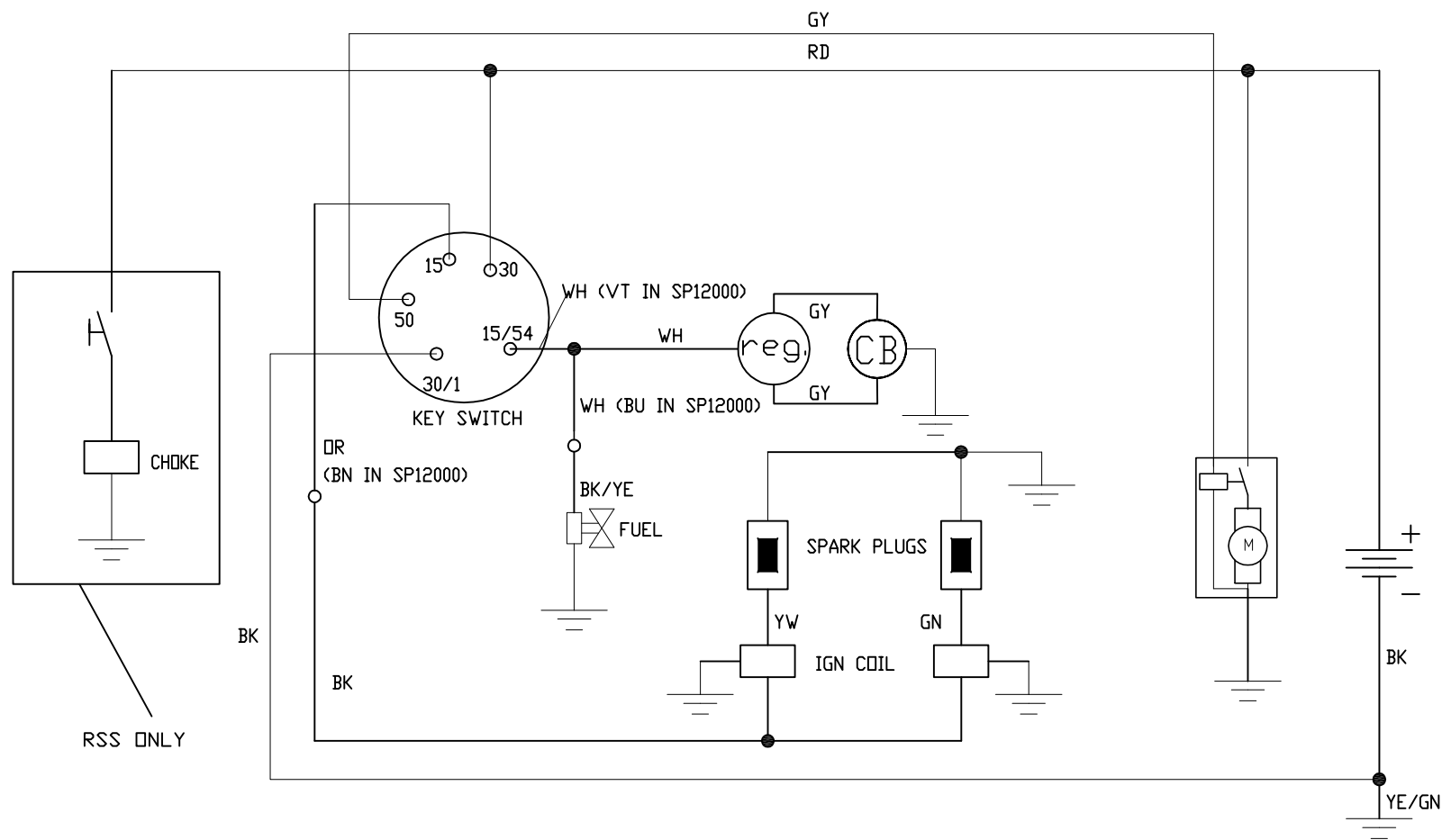
**GE0482**

Date: 04/06/2010 Pag: IN

Autor: E. Rosati

Rev04	04	14.12.2012 / ADDED S12000 EXPORT / L.PRATELLI	Rev08	///	////
Rev03	03	09.03.2012 / ADDED S12000 + HUK (63A)	Rev07	///	////
Rev02	02	03.03.2011 / REVERSED IGN DIODE ON PAGE 2 / E.ROSATI	Rev06	///	////
Rev01	01	26.11.2010 / ADDED VERSION + AMF / E.ROSATI	Rev05	05	14.05.2014 / MODIFIED PHASE SEQUENCE - (Layer 10/11/12/17) / D.TANGARI

	GENERADOR GENERATOR GENERATORE GENERATOR 發電機		ALTERNADOR CARGA BATERIA BATTERY CHARGER GENERATORE CARICO BATERIA CHARGEUR BATTERIE BATTERIE CHARGER 電池充電器		CONTACTO TERMICO THERMAL SWITCH SCATTO TERMICO DECLENCHEUR TERMIQUE THERMAL SWITCH 保溫開關		CONMUTADOR SWITCH SELETTORE COMBINA TEUR SWITCH 開關		TRANSFORMADOR TRANSFORMER TRANSFORMATORE TRANSFORMATEUR TRANSFORMER 變壓器		TRANSFORMADOR DE CORRIENTE CURRENT TRANSFORMET TRANSFORMATORE DI CORRENTE TRANSFORMATEUR DE COURANT AKTUELLE TRANSFORMET 電流變壓器
	BATERIA BATTERY BATTERIA BATTERIE BATTERIE 電池		TIERRA EARTH TERRA TERRE ERDE 地線		CONTACTO DE POTENCIA POWER SWITCH CONTATTO DI POTENZA CONTATORE CONTACT DI PUISSANCE POWER SWITCH 電力開關		BLOQUEO MECANICO MECHANICAL BLOCK INTERBLOCCO MECANICO BLOQUE MECANIQUE MECHANISCHE BLOCK 物理限制裝置		PROTECCIÓN TERMICA THERMAL GUARD PROTEZIONE TERMICA THERMIQUE EN GARDE THERMISCHE GUARD 保溫裝置		RESISTENCIA RESISTOR RESISTENZA RESISTANCE RESISTOR 電阻
	GENERATOR EARTH MASSE GENERATEUR MASSE GENERATEUR GENERATOR ERDE 發電機地線		CONEXIÓN CONNECTION CONNESSIONE JOINTAGE ANSCHLUSS 連接		BORNERO TERMINAL MORSETTO BORNE TERMINAL 接頭板		FUSIBLE FUSE FUSIBILE FUSIBLE SICHERUNG 保險絲		PRECALENTAMIENTO PRE-HEATING SCALDIGLIA PRE - CHAUFFAGE PRE - HEIZUNG 加熱器		TRANSDUCTOR DE NIVEL LEVEL TRANSUDCER TRASDUTTORE DI LIVELLO TRANSDUCTEUR DE NIVEAU LEVEL TRANSUDCER 燃料水平變換器
	ENCHUFE PLUG PRESA PLDT PLUG		ACTUADOR ACTUATOR ATTUATORE ACTIONNEUR ANTRIEB 促動器		ELECTROVALVULA ELECTRO VALVE ELETTRVALVOLA ELECTRO-VANNE ELEKTRO VENTIL 電子閥		SENSOR DE VELOCIDAD SPEED SENSOR PICK-UP SENSEUR DE VITESSE SPEED SENSOR 速度感應器		TRANSDUCTOR DE TEMPERATURA TEMPERATURE TRANSUDCER TRASDUTTORE DI TEMPERATURA TRANSDUCTEUR DE TEMPERAUTE TEMPERATUR TRANSUDCER 溫度變換器		TRANSDUCTOR DE PRESSION PRESSURE TRANSUDCER TRASDUTTORE DI PRESSIONE TRANSDUCTEUR DE PRESSION PRESSURE TRANSUDCER 壓力變換器
	BOMBA PUMP POMPA POMPE PUMP 泵		ALARMA ALARM ALLARME SIRENE ALARMA 警報器		DIODO DIODE DIODO DIODE DIODE 兩極真空管		LED LED LED LED LED 發光二極管		MOTOR DE ARRANQUE STARTER MOTOR MOTORINO D'AVVIAMENTO MOTEUR DE DÉPART STARTER MOTOR 起動馬達		TORDIDAL TORDID TORE TORDIDE TORDID
	CABLE ARMADO SHIELDED CABLE CAVO SCHERMATO CABLE AVEC BLINDAGE SHIELDED CABLE 受保護的電纜		CONTACTO NA NA CONTACT CONTATTO NA CONTACT NA NA KONTAKT N/A 接觸器		BOBINA RELE-CONTACTOR RELAY-CONTACTOR COIL BOBINA RELÉ-CONTATTORE BOBINE RELAIS-CONTACTEURUR RELAIS SPULTE SCHÜTZ 繼電器		AMPERIMETRO AMP METER AMPEROMETRO AMPEREMETRE AMP METER 電流計		PIN PIN PIN PIN PIN 針		CONTINUA EN PAGINA X COLUMNA Y CONTINUES IN PAGE X, COLUMN Y CONTINUA NELLA PAG. X, Y COLONNA CONTINUE A LA PAGE X, Y COLONNE WEITERHIN AUF DER SEITEX, Y SPALTE 繼續在一幅U+201C第十欄 y
	CONTACTO NC NC CONTACT CONTATTO NC CONTACT NC NC KONTAKT NC 接觸器		CONTACTO CON CAMBIO EXCHANGE CONTACT CONTATTO IN SCAMBIO CONTACT DE ECHANGE AUSTAUSCH KONTAKT 調換接觸器		VOLTIMETRO VOLTMETER VOLTMETRO VOLTMETRE VOLTMETRE 電壓計		FRECUENCI METRO FREQUENCY METER FREQUENZIMETRO FREQUENZIMETER FREQUENCY METER 頻率計		RED MAINS RETTE		NIVEL DE COMBUSTIBLE FUEL LEVEL GAUGE LIVELLO DI GASSOLEO INDICATERUR DE NIVEAU DE CARBURANT KRAFTSTOFF EBENE 燃油液位計
	CONTACTOS CON FLOTADOR FLOAT CONTACT CONTATTO CON GALLEGIANTE CONTACT DE FLOTTEUR FLOAT KONTAKT 浮動接觸器		CONTACTO DE PRESIÓN PRESSURE CONTACT PRESSOSTAT PRESSOSTAT DRUCK KONTAKT 壓力接觸器		CUENTAHORAS HOURS METER CONTADRE COMPTE HEURES HOURS METER 計時器		CUENTAVUELTAS REVOLUTION COUNTER CONTAGIRI COMTE-TOURS REVOLUTION COUNTER 旋轉計算器		CARGA LOAD CARICO		CONMUTADOR VOLTIMETRICO VOLTAGE SWITCH
	THERMAL CONTACT TERMOSTATO CONTACT DE TEMPERATURE THERMISCHE KONTAKT 保溫接觸器		CONTACTO DE FLUJO FLOW CONTACT FLUSSOSTATO CONTACT DE FLUX FLOW KONTAKT 流量接觸器		MANGMETRO ACEITE OIL GAUGE MANOMETRO OLIO MANOMETRE HUILE OIL GAUGE 油錶		MANGMETRO TPA. AGUA TEMPERATURE GAUGE TERMOSTATO ACQUA THERMOMETRE EAU TEMPERATUR GAUGE 溫度錶		CONMUTADOR AMPERIMETRICO AMPERIMETRIC SWITCH		CONTADOR KW/H KW/h COUNTER



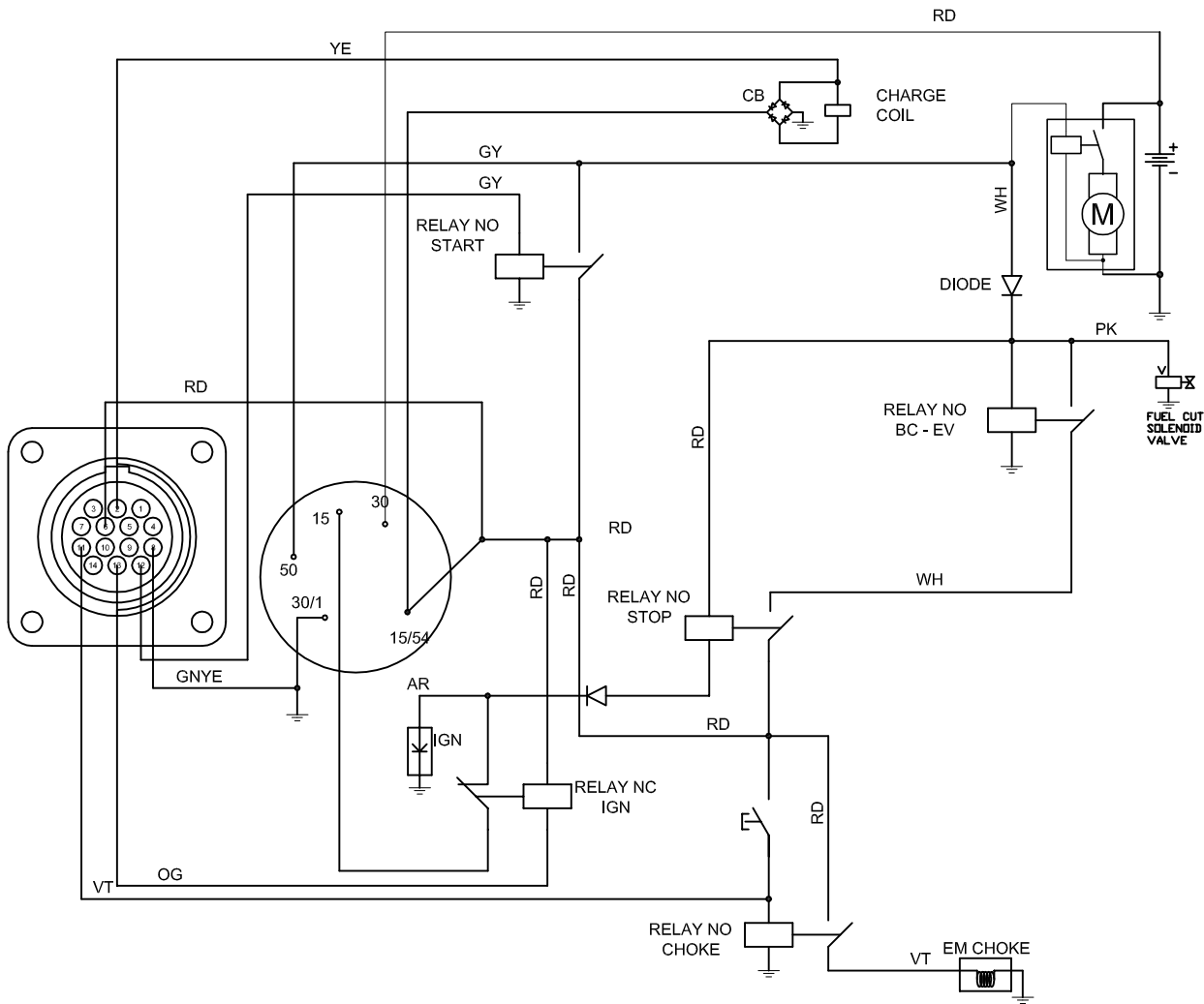
RIF. REF.	COLORE	COLOR
BK	NERO	BLACK
WH	BIANCO	WHITE
RD	ROSSO	RED
YE	GIALLO	YELLOW
BN	MARRONE	BROWN
GY	GRIGIO	GRAY
OG	ARANCIONE	ORANGE
BU	BLU	BLUE
GN	VERDE	GREEN
PK	ROSA	PINK
VT	VIOLA	VIOLET

**ELECTRIC PANEL FOR S-SP-P12000**  
**ENGINE CONNECTION FOR VERSIONS STD, IPP, DPP, AVR, EXPORT**

**GE0482**

Date: 04/06/2010    Pag: 1  
 Autor: E. Rosati

Rev04	04	14.12.2012 / ADDED S12000 EXPORT / L.PRATELLI	Rev08	///	////
Rev03	03	09.03.2012 / ADDED S12000 + HUK (63A)	Rev07	///	////
Rev02	02	03.03.2011 / REVERSED IGN DIODE ON PAGE 2 / E.ROSATI	Rev06	///	////
Rev01	01	26.11.2010 / ADDED VERSION + AMF / E.ROSATI	Rev05	05	14.05.2014 / MODIFIED PHASE SEQUENCE - (Layer 10/11/12/17) / D.TANGARI



RIF. REF.	COLORE	COLOR
BK	NERO	BLACK
WH	BIANCO	WHITE
RD	ROSSO	RED
YE	GIALLO	YELLOW
BN	MARRONE	BROWN
GY	GRIGIO	GRAY
OG	ARANCIONE	ORANGE
BU	BLU	BLUE
GN	VERDE	GREEN
PK	ROSA	PINK
VT	VIOLA	VIOLET

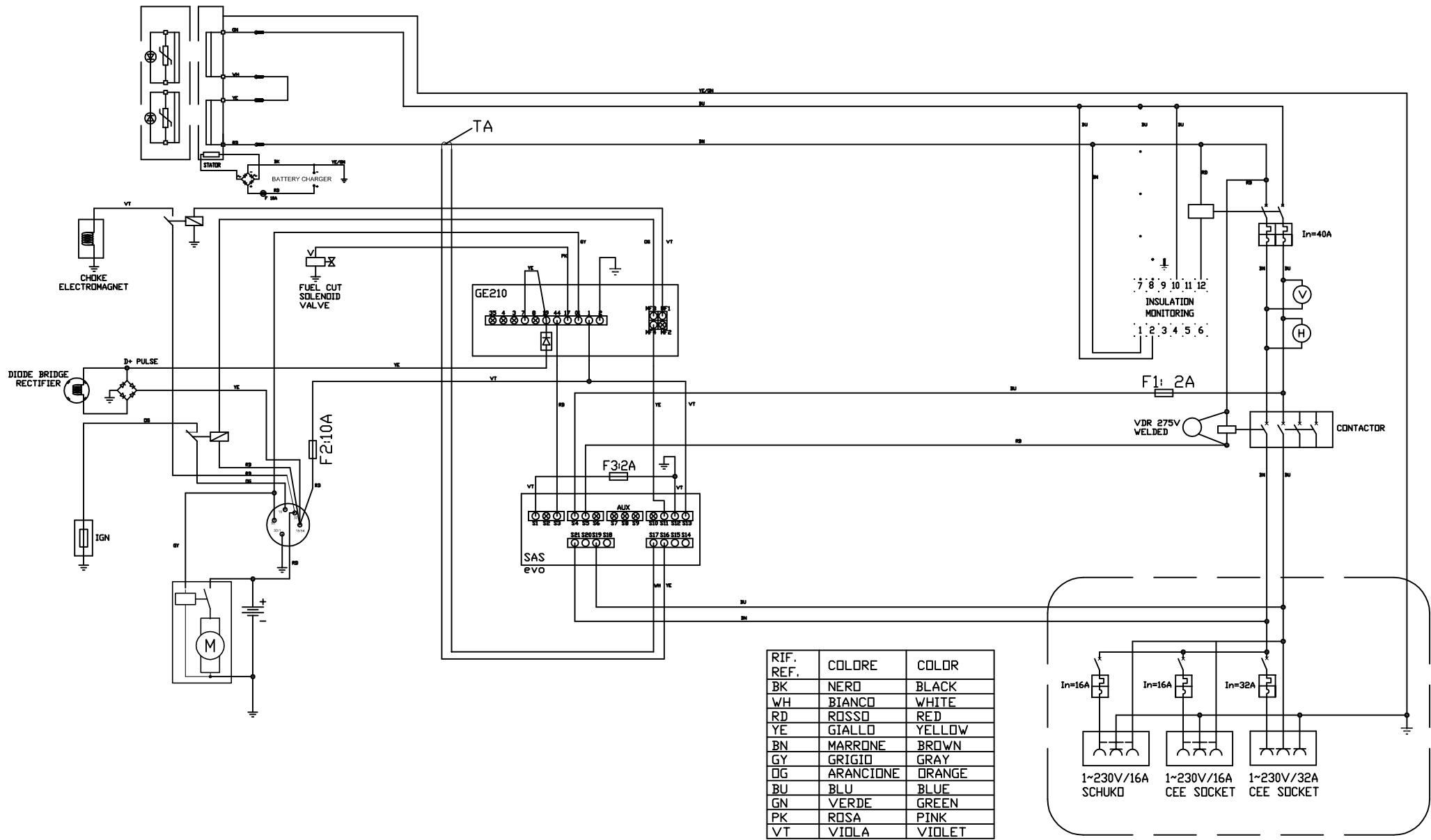
CONN. 14 POLES	AMF	RSS		COLOUR
1 NEUTRAL (230V )	--	IN	0v	LIGHT BLUE
2 D+ (12V )	--	IN	12v	YELLOW
3 + B x (EV or BC SUPPLY)	OUT	--	12v	PINK
4 OIL ALARM	IN	--	0v	BLUE
5 PHASE (230V )	--	IN	230v	BROWN
6 + BATT. (UNDER KEY SWITCH )	--	IN	12v	RED
7 --	--	--	--	GREEN
8 - BATTERY	IN	IN	0v	BLACK
9 ALARM FUEL	IN	--	0v	WHITE
10 ALARM TEMPERATURE	IN	--	0v	YELLOW
11 CHOKE	OUT	OUT	12v	PINK
12 START	OUT	OUT	12v	GREY
13 STOP	OUT	OUT	0v	ORANGE
14 --	--	--	--	G/Y

**ELECTRIC PANEL FOR S-SP-P12000  
ENGINE CONNECTION FOR VERSIONS WITH CONN**

**GE0482**

Date: 04/06/2010    Pag: 2  
Autor: E. Rosati

Rev04	04	14.12.2012 / ADDED S12000 EXPORT / L.PRATELLI	Rev08	///	////
Rev03	03	09.03.2012 / ADDED S12000 + HUK (63A)	Rev07	///	////
Rev02	02	03.03.2011 / REVERSED IGN DIODE ON PAGE 2 / E.ROSATI	Rev06	///	////
Rev01	01	26.11.2010 / ADDED VERSION + AMF / E.ROSATI	Rev05	05	14.05.2014 / MODIFIED PHASE SEQUENCE - (Layer 10/11/12/17) / D.TANGARI



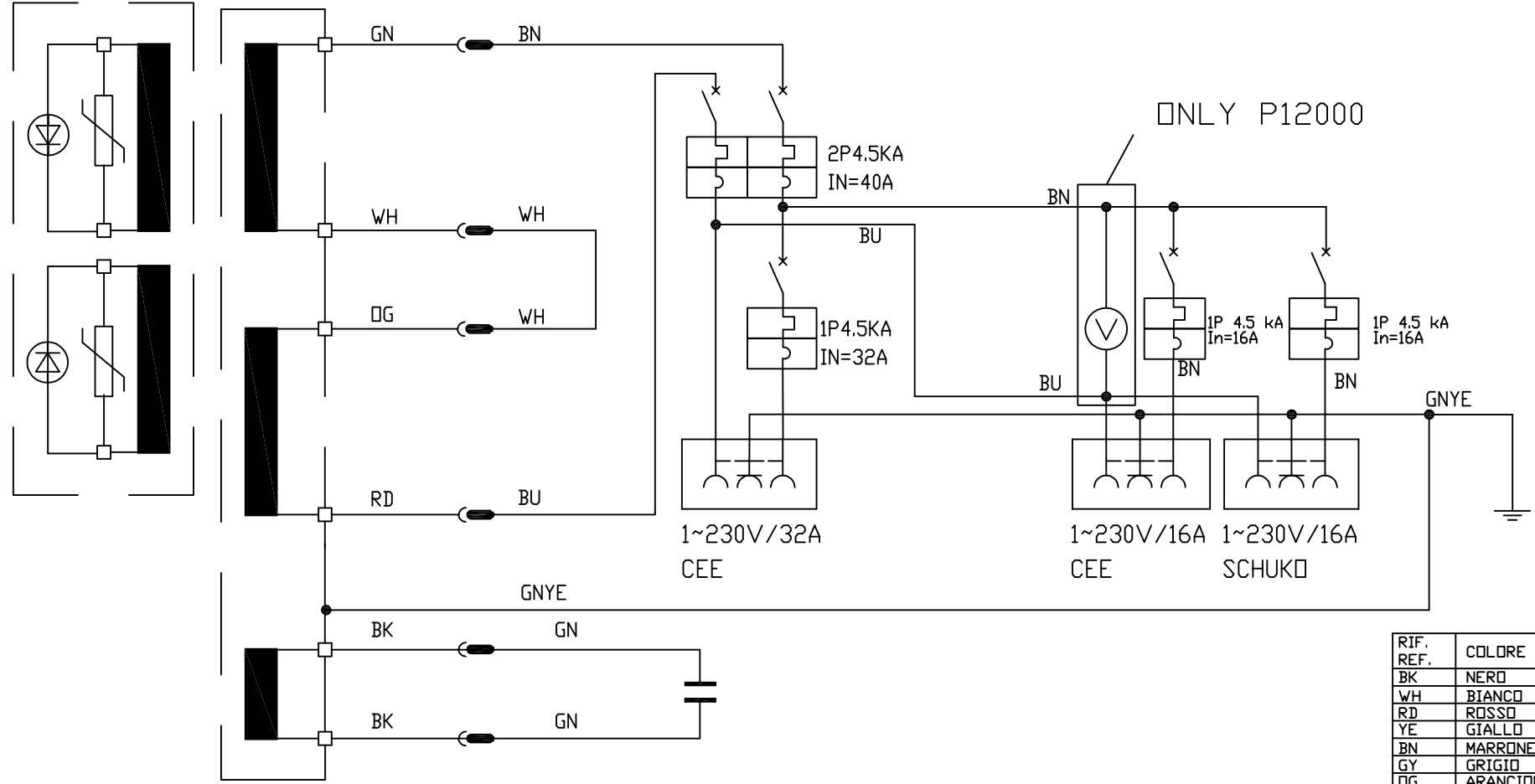
RIF. REF.	COLORE	COLOR
BK	NERO	BLACK
WH	BIANCO	WHITE
RD	ROSSO	RED
YE	GIALLO	YELLOW
BN	MARRONE	BROWN
GY	GRIGIO	GRAY
OG	ARANCIONE	ORANGE
BU	BLU	BLUE
GN	VERDE	GREEN
PK	ROSA	PINK
VT	VIOLA	VIOLET

**ELECTRIC PANEL FOR S-SP-P12000 CONNECTIONS FOR VERSION SAS + IPP**

**GE0482**

Date: 04/06/2010    Pag: 3  
 Autor: E. Rosati

Rev04	04	14.12.2012 / ADDED S12000 EXPORT / L.PRATELLI	Rev08	///	////
Rev03	03	09.03.2012 / ADDED S12000 + HUK (63A)	Rev07	///	////
Rev02	02	03.03.2011 / REVERSED IGN DIODE ON PAGE 2 / E.ROSATI	Rev06	///	////
Rev01	01	26.11.2010 / ADDED VERSION + AMF / E.ROSATI	Rev05	05	14.05.2014 / MODIFIED PHASE SEQUENCE - (Layer 10/11/12/17) / D.TANGARI



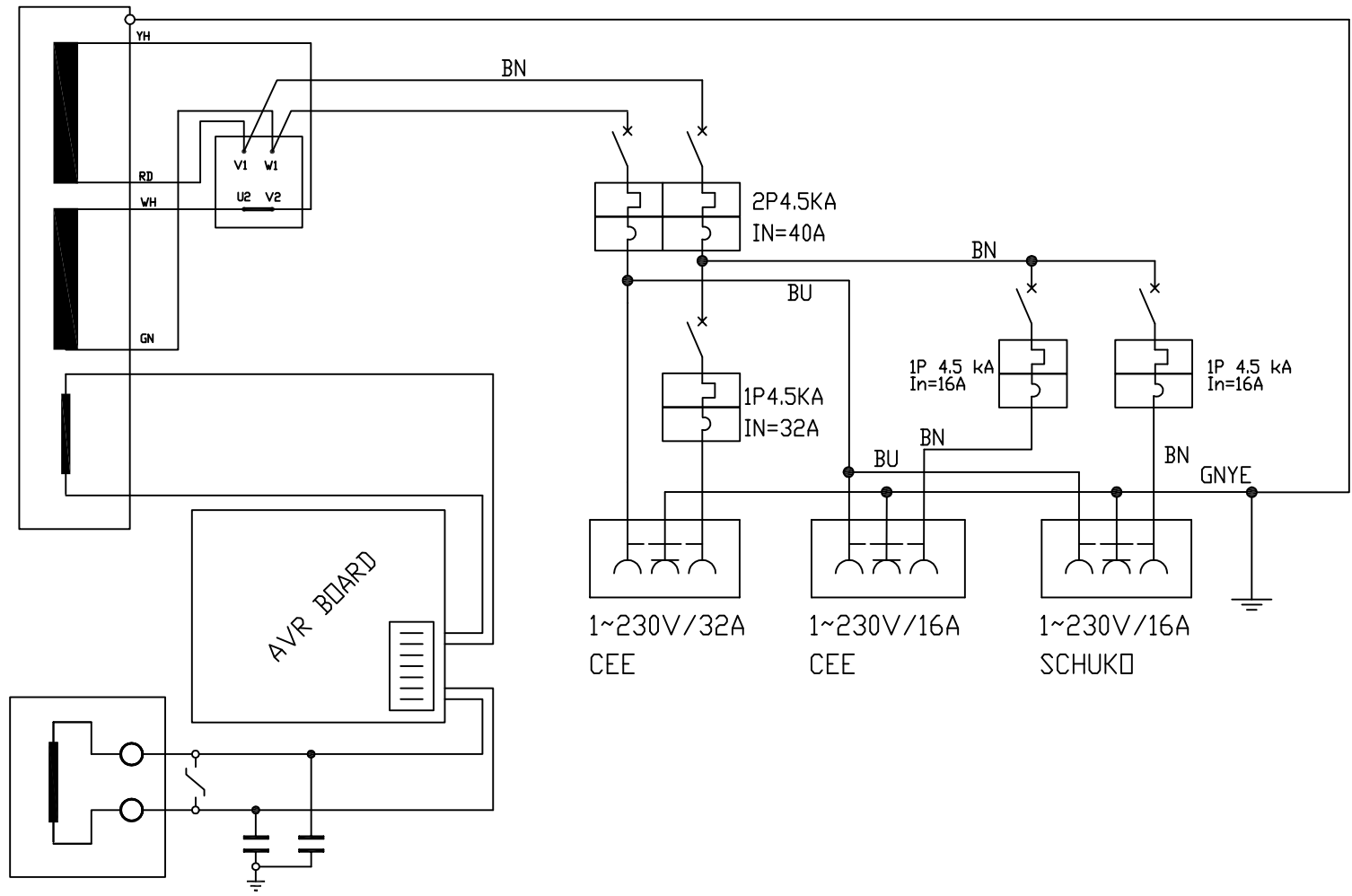
RIF. REF.	COLORE	COLOR
BK	NERO	BLACK
WH	BIANCO	WHITE
RD	ROSSO	RED
YE	GIALLO	YELLOW
BN	MARRONE	BROWN
GY	GRIGIO	GRAY
DG	ARANCIONE	ORANGE
BU	BLU	BLUE
GN	VERDE	GREEN
PK	ROSA	PINK
VT	VIOLA	VIOLET

**ELECTRIC PANEL FOR S-SP-P12000**  
**POWER CONNECTIONS FOR STD VERSIONS**

**GE0482**

Date: 04/06/2010    Pag: 4  
 Autor: E. Rosati

Rev04	04	14.12.2012 / ADDED S12000 EXPORT / L.PRATELLI	Rev08	///	////
Rev03	03	09.03.2012 / ADDED S12000 + HUK (63A)	Rev07	///	////
Rev02	02	03.03.2011 / REVERSED IGN DIODE ON PAGE 2 / E.ROSATI	Rev06	///	////
Rev01	01	26.11.2010 / ADDED VERSION + AMF / E.ROSATI	Rev05	05	14.05.2014 / MODIFIED PHASE SEQUENCE - (Layer 10/11/12/17) / D.TANGARI



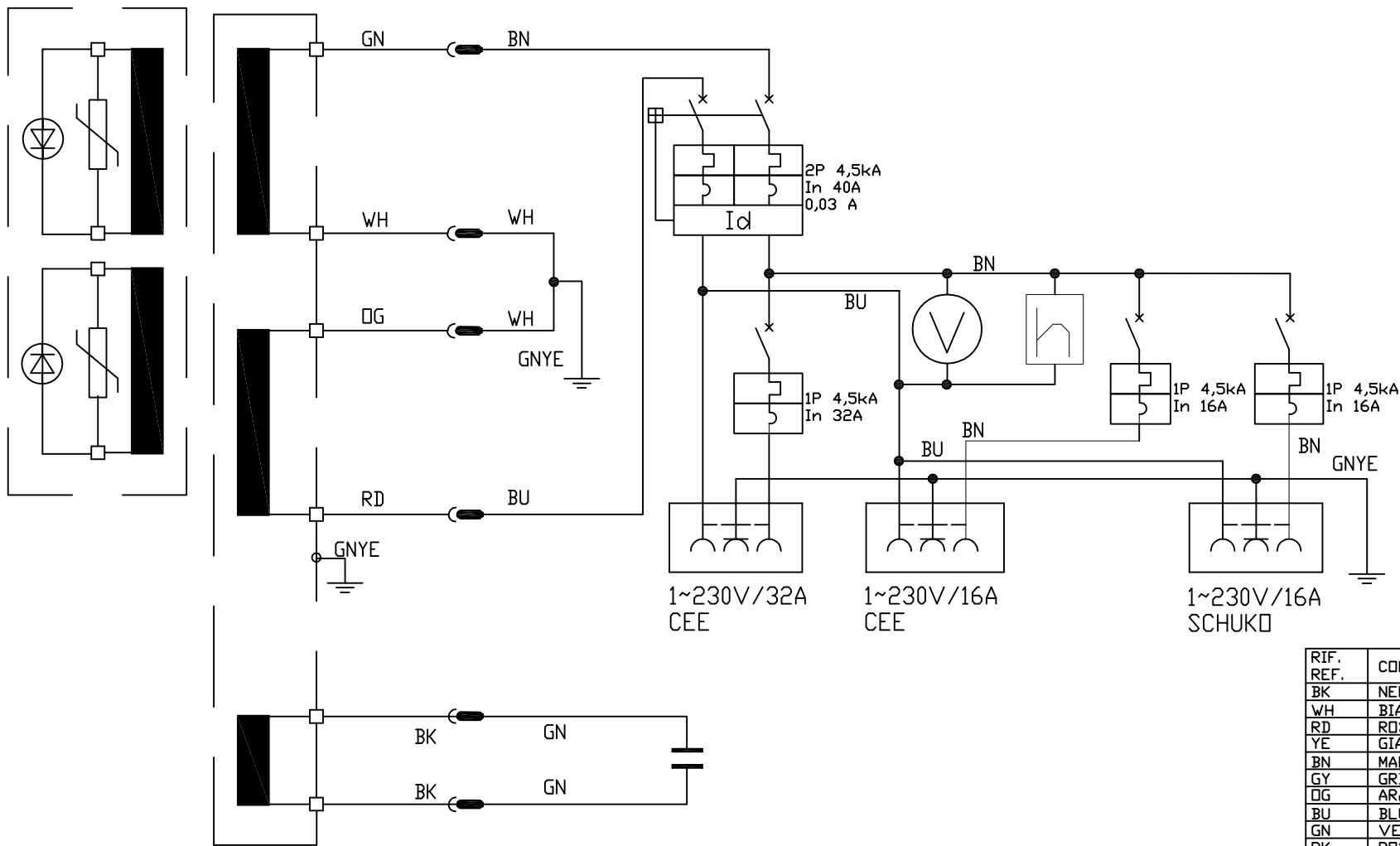
RIF. REF.	COLORE	COLOR
BK	NERO	BLACK
WH	BIANCO	WHITE
RD	ROSSO	RED
YE	GIALLO	YELLOW
BN	MARRONE	BROWN
GY	GRIGIO	GRAY
OG	ARANCIONE	ORANGE
BU	BLU	BLUE
GN	VERDE	GREEN
PK	ROSA	PINK
VT	VIOLA	VIOLET

**ELECTRIC PANEL FOR S-SP-P12000  
POWER CONNECTIONS FOR AVR VERSION**

**GE0482**

Date: 04/06/2010    Pag: 5  
Autor: E. Rosati

Rev04	04	14.12.2012 / ADDED S12000 EXPORT / L.PRATELLI	Rev08	///	////
Rev03	03	09.03.2012 / ADDED S12000 + HUK (63A)	Rev07	///	////
Rev02	02	03.03.2011 / REVERSED IGN DIODE ON PAGE 2 / E.ROSATI	Rev06	///	////
Rev01	01	26.11.2010 / ADDED VERSION + AMF / E.ROSATI	Rev05	05	14.05.2014 / MODIFIED PHASE SEQUENCE - (Layer 10/11/12/17) / D.TANGARI



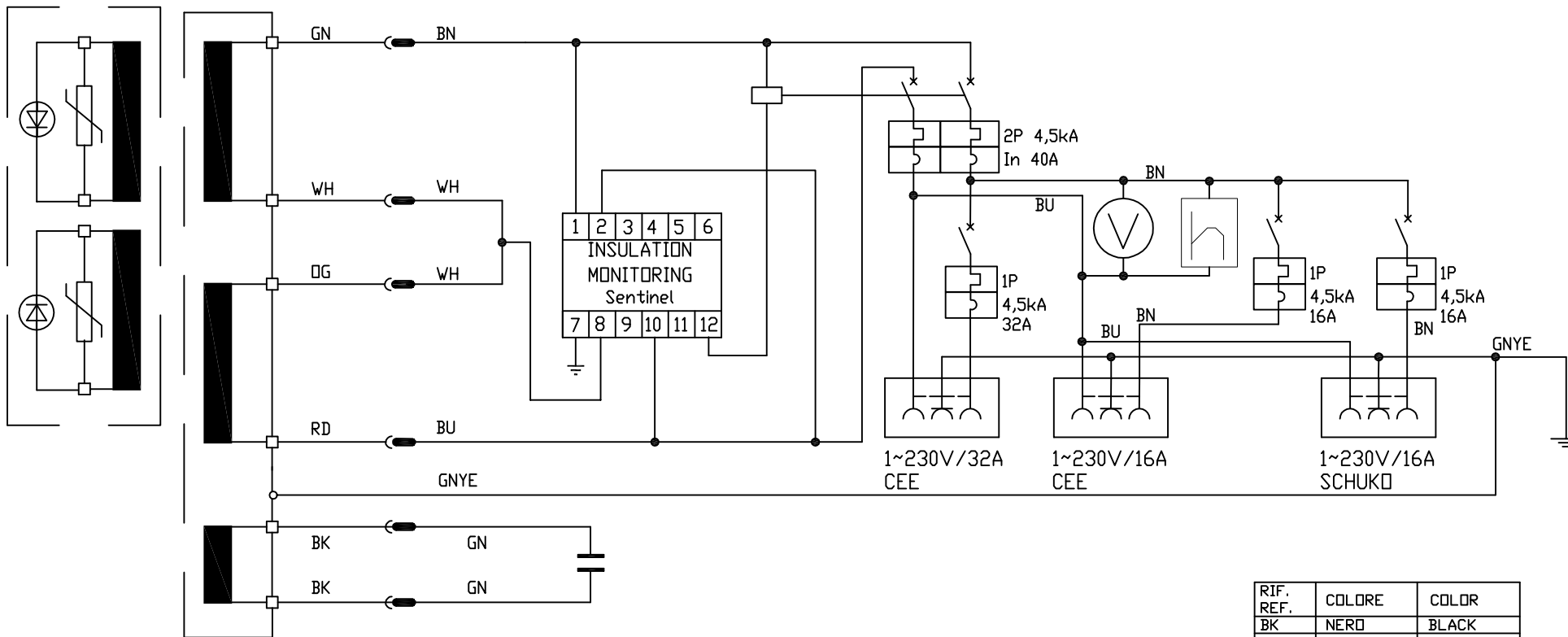
**ELECTRIC PANEL FOR S-SP-P12000**  
**POWER CONNECTION FOR VERSION DPP**

**GE0482**

Date: 04/06/2010    Pag: 6  
 Autor: E. Rosati

Rev04	04	14.12.2012 / ADDED S12000 EXPORT / L.PRATELLI	Rev08	///	////
Rev03	03	09.03.2012 / ADDED S12000 + HUK (63A)	Rev07	///	////
Rev02	02	03.03.2011 / REVERSED IGN DIODE ON PAGE 2 / E.ROSATI	Rev06	///	////
Rev01	01	26.11.2010 / ADDED VERSION + AMF / E.ROSATI	Rev05	05	14.05.2014 / MODIFIED PHASE SEQUENCE - (Layer 10/11/12/17) / D.TANGARI





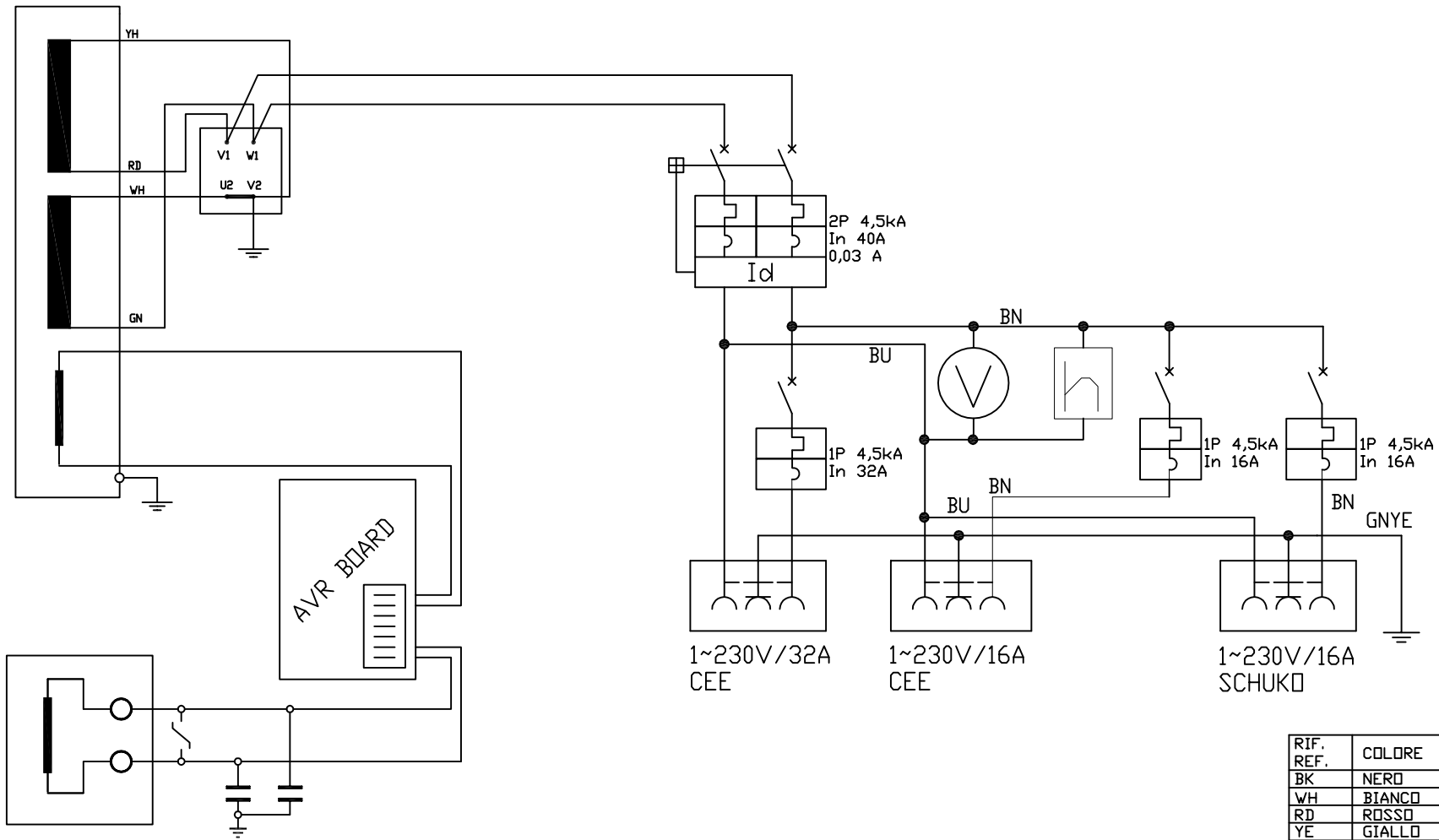
RIF. REF.	COLORE	COLOR
BK	NERO	BLACK
WH	BIANCO	WHITE
RD	ROSSO	RED
YE	GIALLO	YELLOW
BN	MARRONE	BROWN
GY	GRIGIO	GRAY
OG	ARANCIONE	ORANGE
BU	BLU	BLUE
GN	VERDE	GREEN
PK	ROSA	PINK
VT	VIOLA	VIOLET

**ELECTRIC PANEL FOR S-SP-P12000  
POWER CONNECTION FOR VERSION IPP**

**GE0482**

Date: 04/06/2010    Pag: 7  
Autor: E. Rosati

Rev04	04	14.12.2012 / ADDED S12000 EXPORT / L.PRATELLI	Rev08	///	////
Rev03	03	09.03.2012 / ADDED S12000 + HUK (63A)	Rev07	///	////
Rev02	02	03.03.2011 / REVERSED IGN DIODE ON PAGE 2 / E.ROSATI	Rev06	///	////
Rev01	01	26.11.2010 / ADDED VERSION + AMF / E.ROSATI	Rev05	05	14.05.2014 / MODIFIED PHASE SEQUENCE - (Layer 10/11/12/17) / D.TANGARI



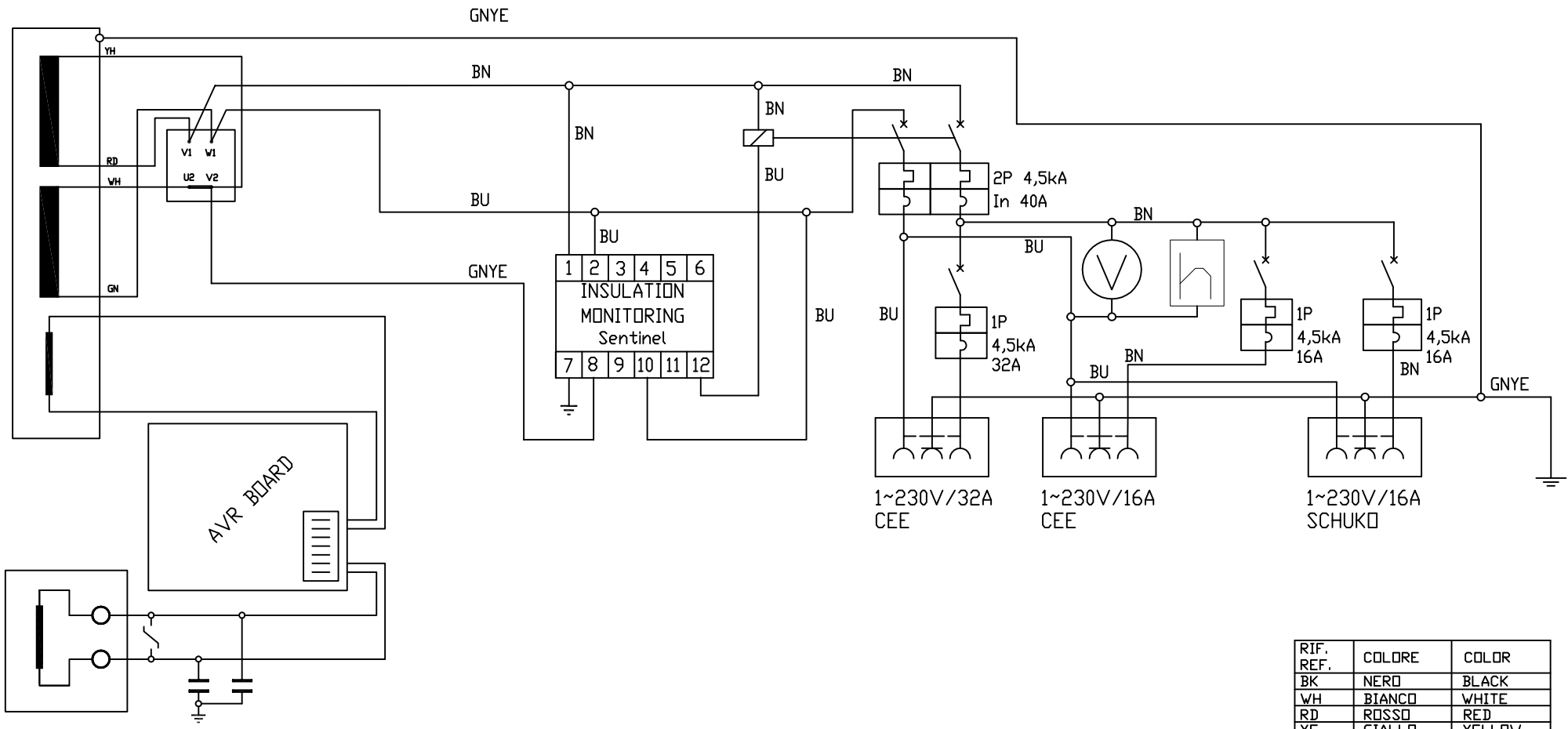
RIF. REF.	COLORE	COLOR
BK	NERO	BLACK
WH	BIANCO	WHITE
RD	ROSSO	RED
YE	GIALLO	YELLOW
BN	MARRONE	BROWN
GY	GRIGIO	GRAY
OG	ARANCIONE	ORANGE
BU	BLU	BLUE
GN	VERDE	GREEN
PK	ROSA	PINK
VT	VIOLE	VIOLET

**ELECTRIC PANEL FOR S-SP-P12000  
POWER CONNECTIONS FOR VERSION AVR + DPP**

**GE0482**

Date: 04/06/2010    Pag: 8  
Autor: E. Rosati

Rev04	04	14.12.2012 / ADDED S12000 EXPORT / L.PRATELLI	Rev08	///	////
Rev03	03	09.03.2012 / ADDED S12000 + HUK (63A)	Rev07	///	////
Rev02	02	03.03.2011 / REVERSED IGN DIODE ON PAGE 2 / E.ROSATI	Rev06	///	////
Rev01	01	26.11.2010 / ADDED VERSION + AMF / E.ROSATI	Rev05	05	14.05.2014 / MODIFIED PHASE SEQUENCE - (Layer 10/11/12/17) / D.TANGARI



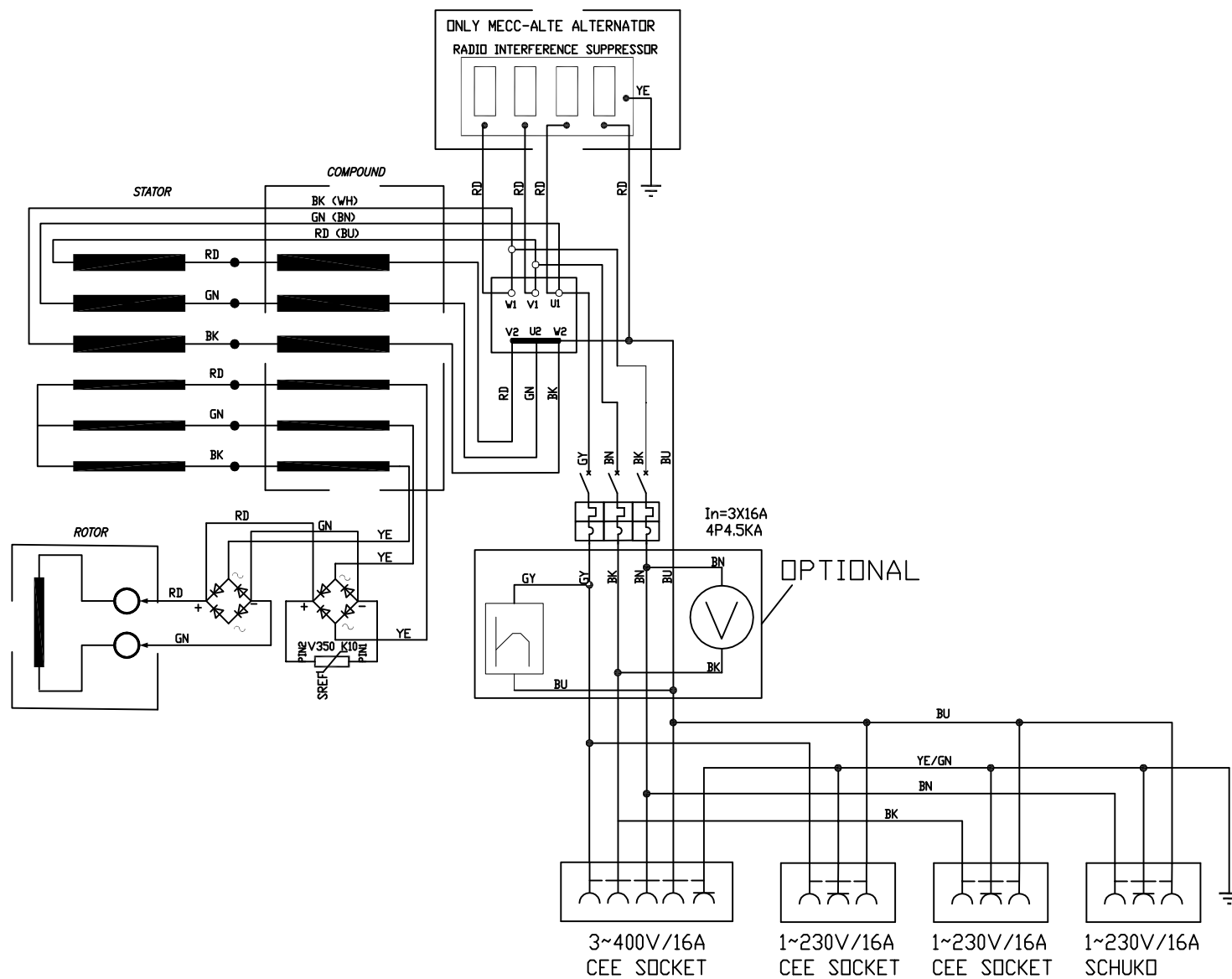
RIF. REF.	COLORE	COLOR
BK	NERO	BLACK
WH	BIANCO	WHITE
RD	ROSSO	RED
YE	GIALLO	YELLOW
BN	MARRONE	BROWN
GY	GRIGIO	GRAY
OG	ARANCIONE	ORANGE
BU	BLU	BLUE
GN	VERDE	GREEN
PK	ROSA	PINK
VT	VIOLA	VIOLET

**ELECTRIC PANEL FOR S-SP-P12000  
POWER CONNECTIONS FOR VERSION AVR + IPP**

**GE0482**

Date: 04/06/2010    Pag: 9  
 Autor: E. Rosati

Rev04	04	14.12.2012 / ADDED S12000 EXPORT / L.PRATELLI	Rev08	///	////
Rev03	03	09.03.2012 / ADDED S12000 + HUK (63A)	Rev07	///	////
Rev02	02	03.03.2011 / REVERSED IGN DIODE ON PAGE 2 / E.ROSATI	Rev06	///	////
Rev01	01	26.11.2010 / ADDED VERSION + AMF / E.ROSATI	Rev05	05	14.05.2014 / MODIFIED PHASE SEQUENCE - (Layer 10/11/12/17) / D.TANGARI



RIF. REF.	COLORE	COLOR
BK	NERO	BLACK
WH	BIANCO	WHITE
RD	ROSSO	RED
YE	GIALLO	YELLOW
BN	MARRONE	BROWN
GY	GRIGIO	GRAY
OG	ARANCIONE	ORANGE
BU	BLU	BLUE
GN	VERDE	GREEN
PK	ROSA	PINK
VT	VIOLA	VIOLET

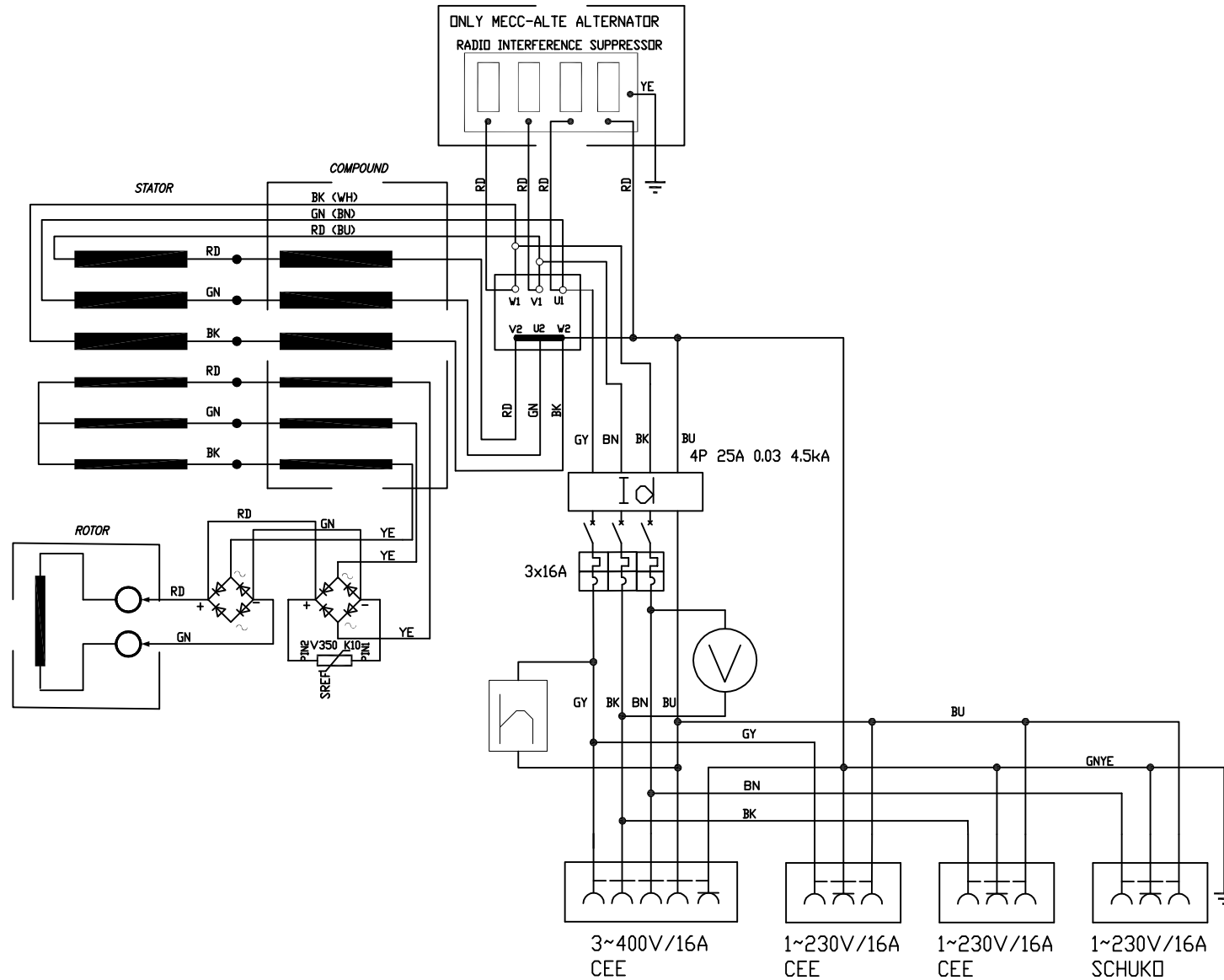
**ELECTRIC PANEL FOR S-SP-P12000  
POWER CONNECTIONS FOR VERSION 3PH**

**GE0482**

Date: 04/06/2010    Pag: 10

Autor: E. Rosati

Rev04	04	14.12.2012 / ADDED S12000 EXPORT / L.PRATELLI	Rev08	///	////
Rev03	03	09.03.2012 / ADDED S12000 + HUK (63A)	Rev07	///	////
Rev02	02	03.03.2011 / REVERSED IGN DIODE ON PAGE 2 / E.ROSATI	Rev06	///	////
Rev01	01	26.11.2010 / ADDED VERSION + AMF / E.ROSATI	Rev05	05	14.05.2014 / MODIFIED PHASE SEQUENCE - (Layer 10/11/12/17) / D.TANGARI

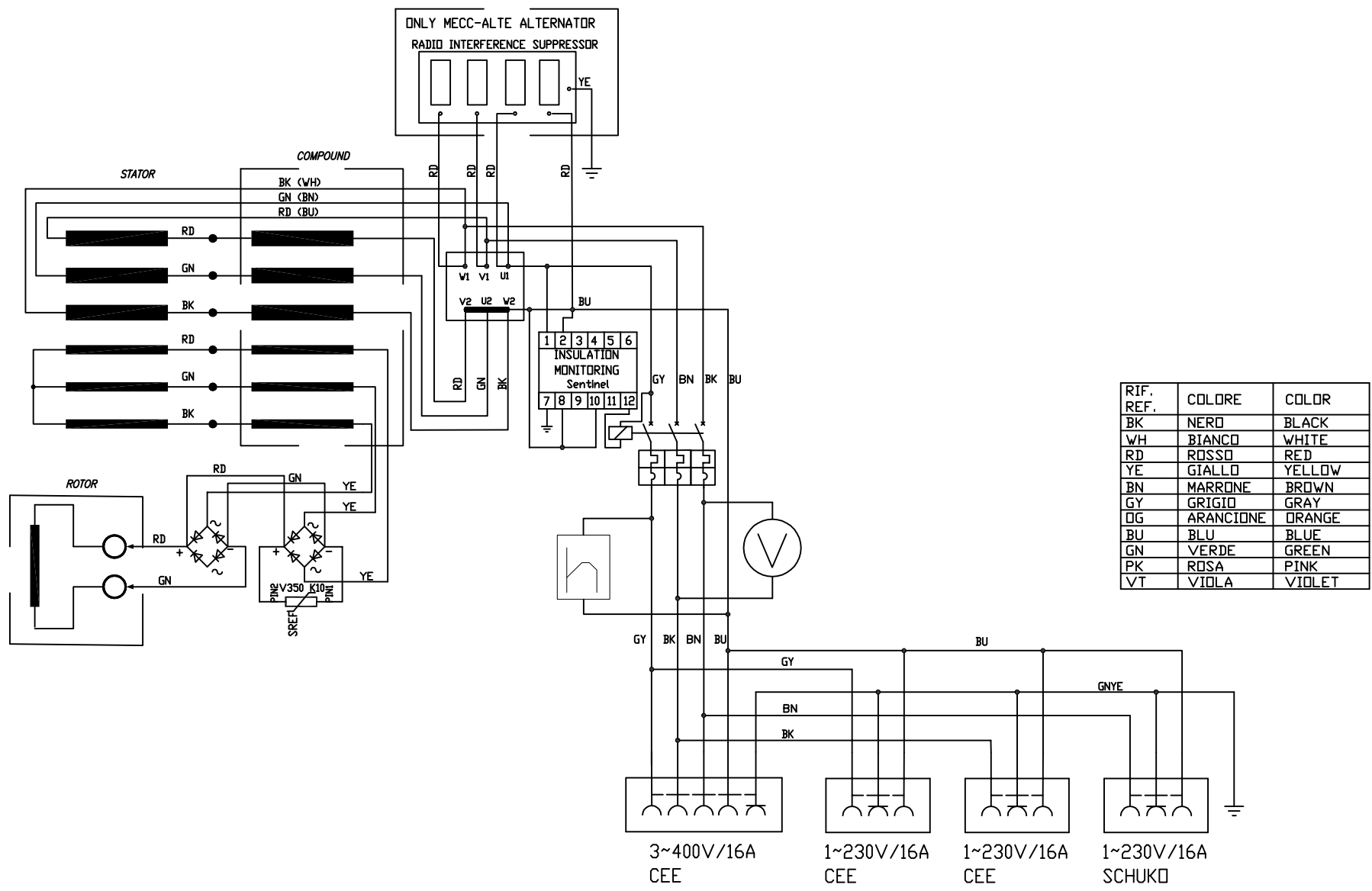


**ELECTRIC PANEL FOR S-SP-P12000  
POWER CONNECTIONS FOR VERSION 3PH DPP**

**GE0482**

Date: 04/06/2010    Pag: 11  
Autor: E. Rosati

Rev04	04	14.12.2012 / ADDED S12000 EXPORT / L.PRATELLI	Rev08	///	////
Rev03	03	09.03.2012 / ADDED S12000 + HUK (63A)	Rev07	///	////
Rev02	02	03.03.2011 / REVERSED IGN DIODE ON PAGE 2 / E.ROSATI	Rev06	///	////
Rev01	01	26.11.2010 / ADDED VERSION + AMF / E.ROSATI	Rev05	05	14.05.2014 / MODIFIED PHASE SEQUENCE - (Layer 10/11/12/17) / D.TANGARI

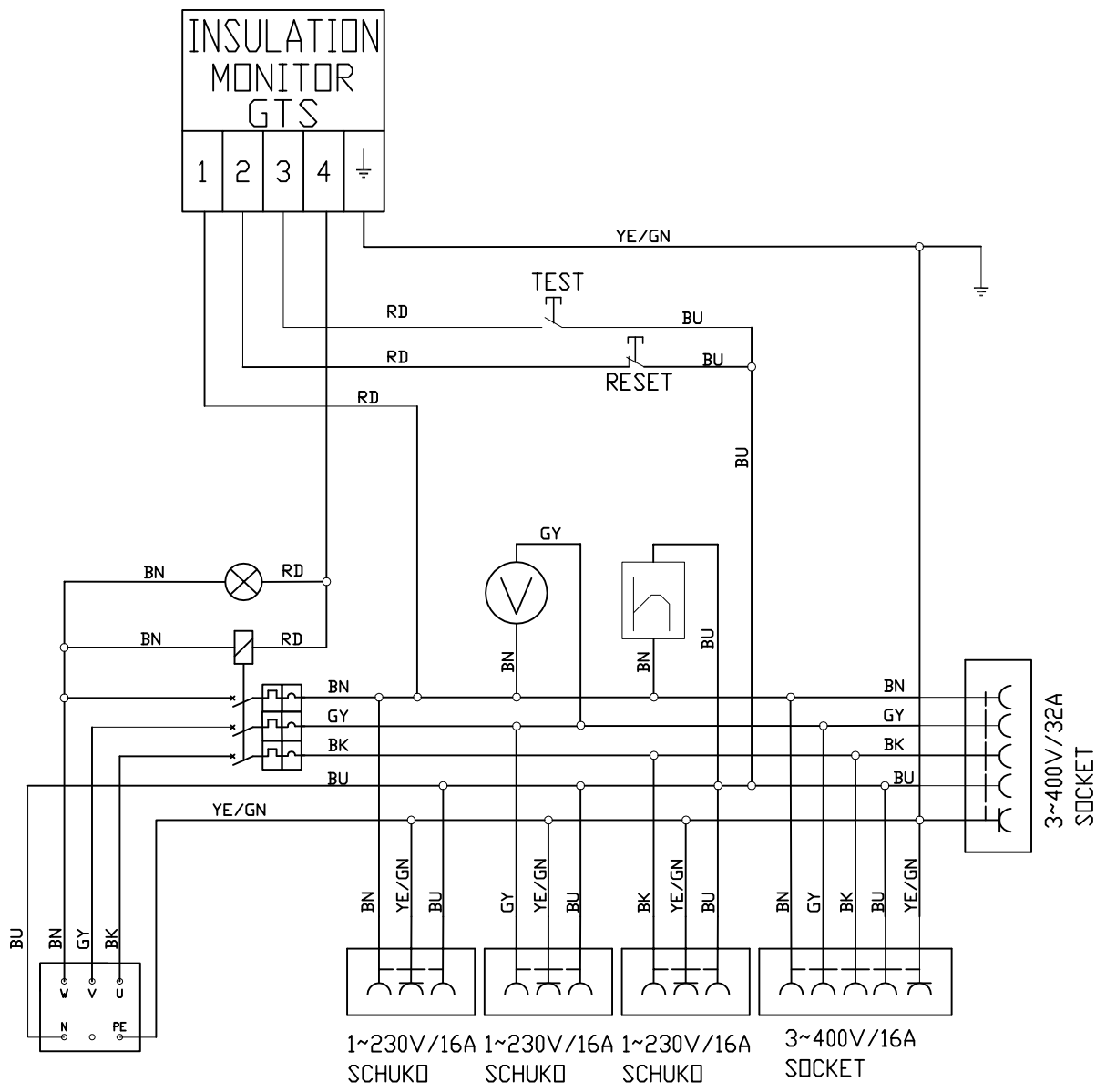


**ELECTRIC PANEL FOR S-SP-P12000  
POWER CONNECTIONS FOR VERSION 3PH IPP**

**GE0482**

Date: 04/06/2010    Pag: 12  
 Autor: E. Rosati

Rev04	04	14.12.2012 / ADDED S12000 EXPORT / L.PRATELLI	Rev08	///	////
Rev03	03	09.03.2012 / ADDED S12000 + HUK (63A)	Rev07	///	////
Rev02	02	03.03.2011 / REVERSED IGN DIODE ON PAGE 2 / E.ROSATI	Rev06	///	////
Rev01	01	26.11.2010 / ADDED VERSION + AMF / E.ROSATI	Rev05	05	14.05.2014 / MODIFIED PHASE SEQUENCE - (Layer 10/11/12/17) / D.TANGARI



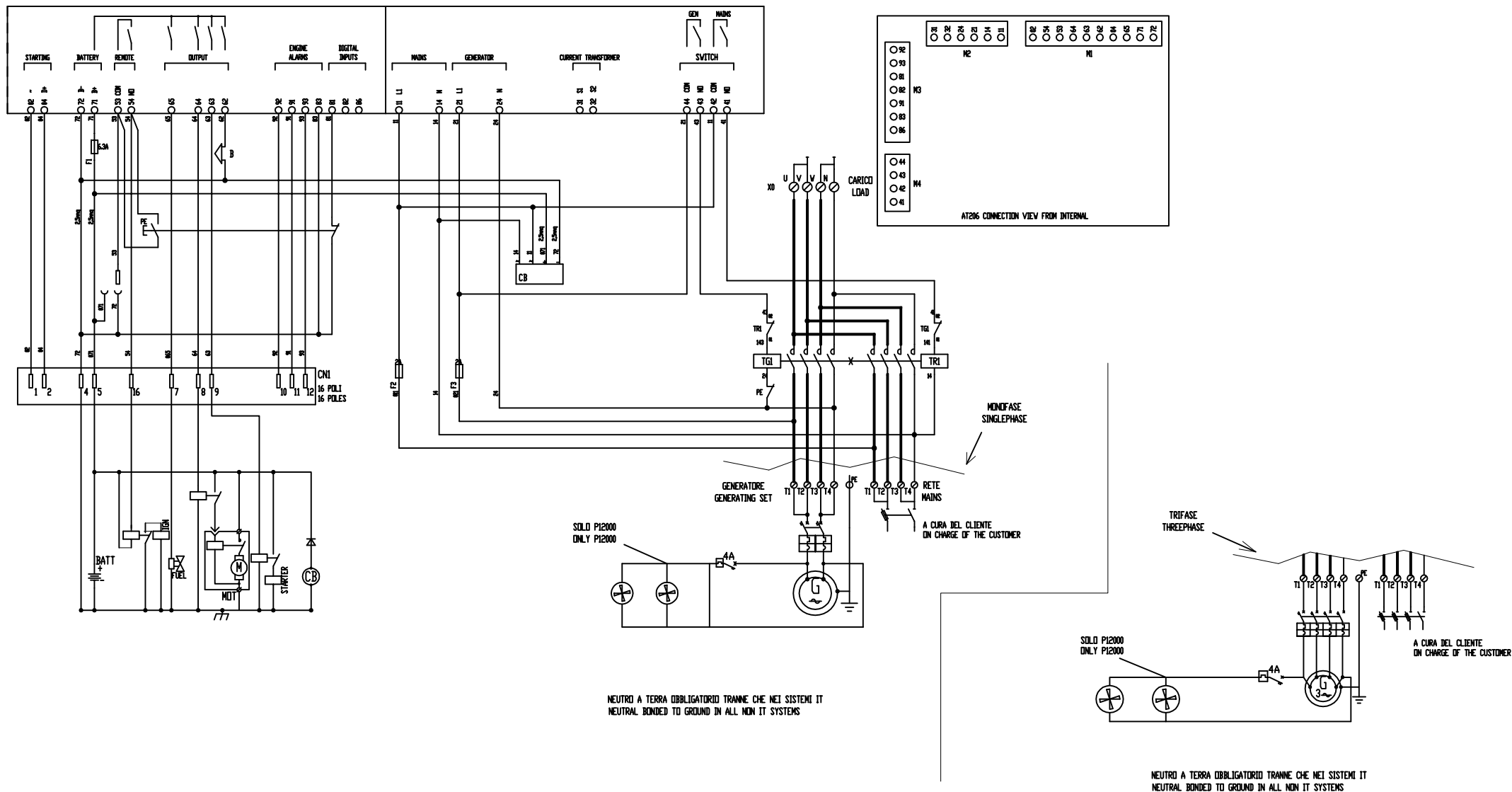
RIF. REF.	COLORE	COLOR
BK	NERO	BLACK
WH	BIANCO	WHITE
RD	ROSSO	RED
YE	GIALLO	YELLOW
BN	MARRONE	BROWN
GY	GRIGIO	GRAY
OG	ARANCIONE	ORANGE
BU	BLU	BLUE
GN	VERDE	GREEN
PK	ROSA	PINK
VT	VIOLA	VIOLET

**ELECTRIC PANEL FOR S-SP-P12000**  
**POWER CONNECTIONS FOR VERSION SP12000**

**GE0482**

Date: 04/06/2010    Pag: 13  
 Autor: E. Rosati

Rev04	04	14.12.2012 / ADDED S12000 EXPORT / L.PRATELLI	Rev08	///	////
Rev03	03	09.03.2012 / ADDED S12000 + HUK (63A)	Rev07	///	////
Rev02	02	03.03.2011 / REVERSED IGN DIODE ON PAGE 2 / E.ROSATI	Rev06	///	////
Rev01	01	26.11.2010 / ADDED VERSION + AMF / E.ROSATI	Rev05	05	14.05.2014 / MODIFIED PHASE SEQUENCE - (Layer 10/11/12/17) / D.TANGARI



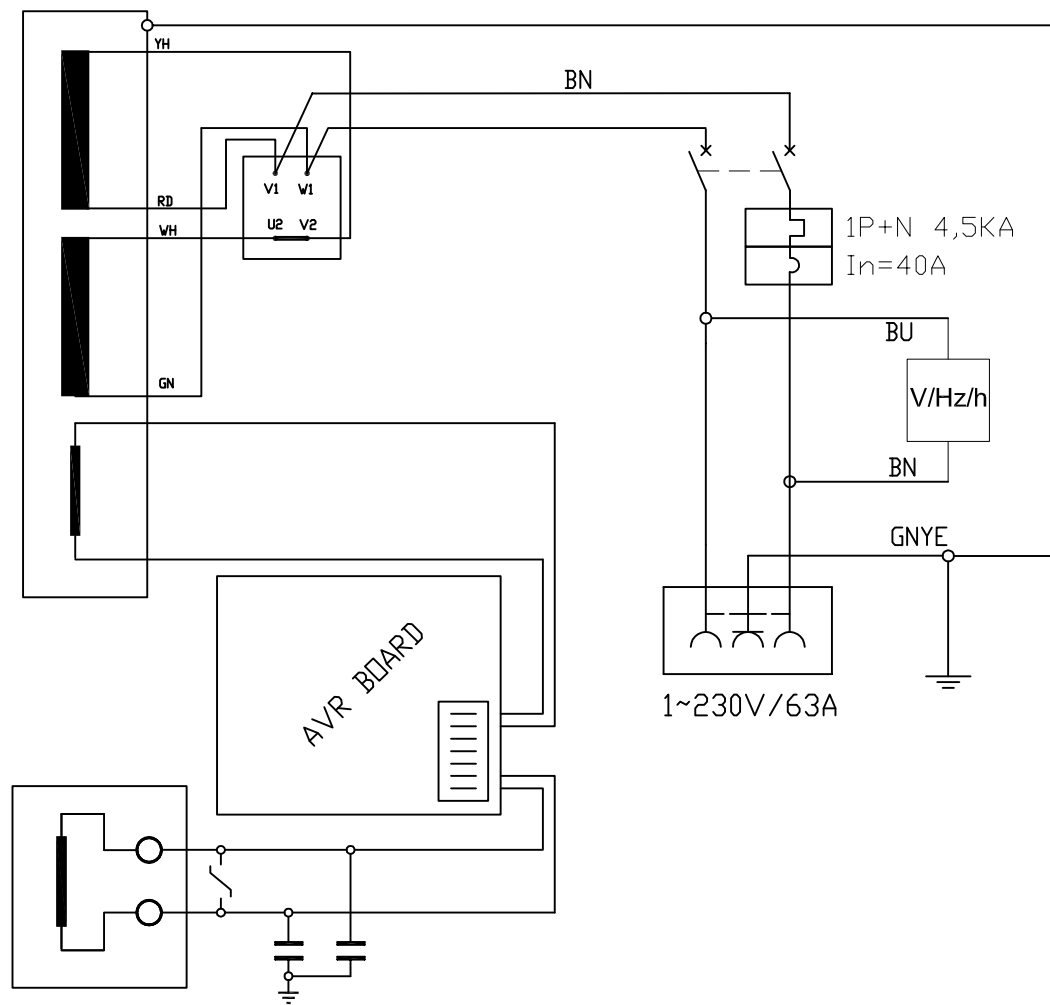
### ELECTRIC PANEL FOR S-SP-P12000

### GE0482

Date: 04/06/2010    Pag: 14  
 Autor: E. Rosati

Rev04	04	14.12.2012 / ADDED S12000 EXPORT / L.PRATELLI	Rev08	////	////
Rev03	03	09.03.2012 / ADDED S12000 + HUK (63A)	Rev07	////	////
Rev02	02	03.03.2011 / REVERSED IGN DIODE ON PAGE 2 / E.ROSATI	Rev06	////	////
Rev01	01	26.11.2010 / ADDED VERSION + AMF / E.ROSATI	Rev05	05	14.05.2014 / MODIFIED PHASE SEQUENCE - (Layer 10/11/12/17) / D.TANGARI





RIF. REF.	COLORE	COLOR
BK	NERO	BLACK
WH	BIANCO	WHITE
RD	ROSSO	RED
YE	GIALLO	YELLOW
BN	MARRONE	BROWN
GY	GRIGIO	GRAY
OG	ARANCIONE	ORANGE
BU	BLU	BLUE
GN	VERDE	GREEN
PK	ROSA	PINK
VT	VIOLA	VIOLET

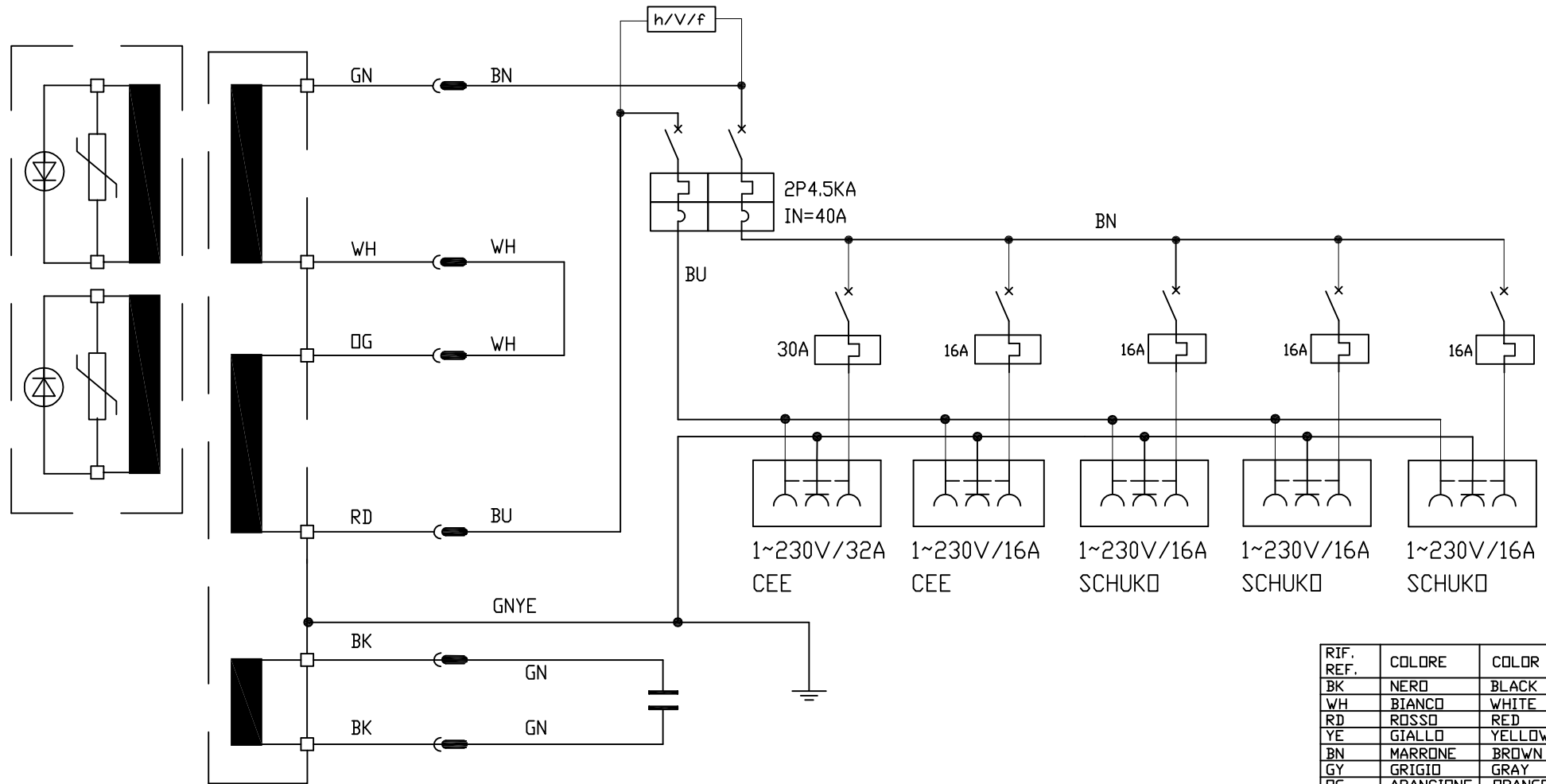
**ELECTRIC PANEL FOR S-SP-P12000  
POWER CONNECTIONS S12000+HUK (63A)**

**GE0482**

Date: 04/06/2010    Pag: 15

Autore: E. Rosati

Rev04	04	14.12.2012 / ADDED S12000 EXPORT / L.PRATELLI	Rev08	///	///
Rev03	03	09.03.2012 / ADDED S12000 + HUK (63A)	Rev07	///	///
Rev02	02	03.03.2011 / REVERSED IGN DIODE ON PAGE 2 / E.ROSATI	Rev06	///	///
Rev01	01	26.11.2010 / ADDED VERSION + AMF / E.ROSATI	Rev05	05	14.05.2014 / MODIFIED PHASE SEQUENCE - (Layer 10/11/12/17) / D.TANGARI



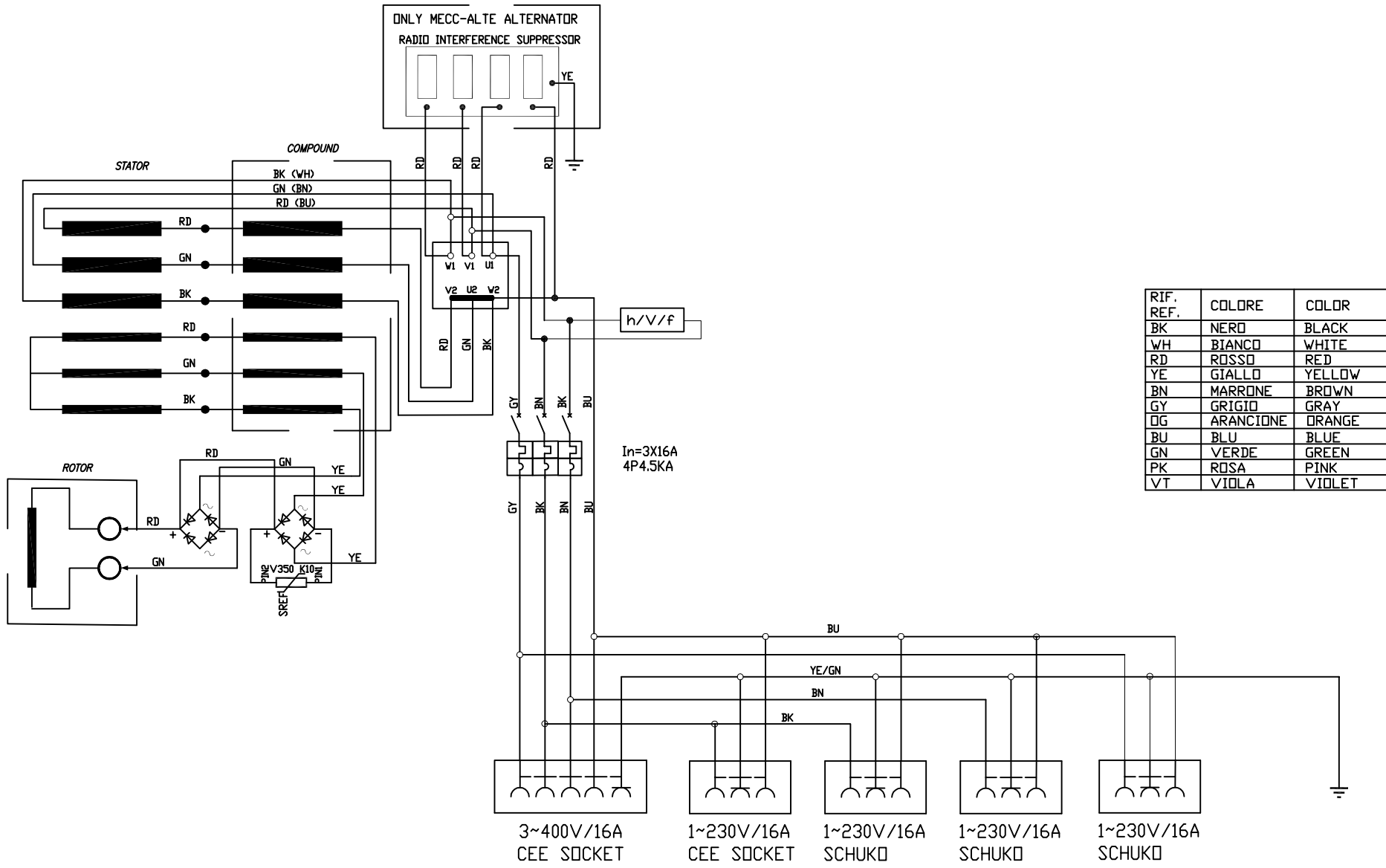
RIF. REF.	COLORE	COLOR
BK	NERO	BLACK
WH	BIANCO	WHITE
RD	ROSSO	RED
YE	GIALLO	YELLOW
BN	MARRONE	BROWN
GY	GRIGIO	GRAY
OG	ARANCIONE	ORANGE
BU	BLU	BLUE
GN	VERDE	GREEN
PK	ROSA	PINK
VT	VIOLA	VIOLET

**ELECTRIC PANEL FOR S-SP-P12000**  
**POWER CONNECTIONS FOR VERSION SINGLE PHASE EXPORT**

**GE0482**

Date: 04/06/2010    Pag: 16  
 Autor: E. Rosati

Rev04	04	14.12.2012 / ADDED S12000 EXPORT / L.PRATELLI	Rev08	///	////
Rev03	03	09.03.2012 / ADDED S12000 + HUK (63A)	Rev07	///	////
Rev02	02	03.03.2011 / REVERSED IGN DIODE ON PAGE 2 / E.ROSATI	Rev06	///	////
Rev01	01	26.11.2010 / ADDED VERSION + AMF / E.ROSATI	Rev05	05	14.05.2014 / MODIFIED PHASE SEQUENCE - (Layer 10/11/12/17) / D.TANGARI



**ELECTRIC PANEL FOR S-SP-P12000**

**POWER CONNECTIONS FOR VERSION THREE PHASE EXPORT**

**GE0482**

Date: 04/06/2010    Pag: 17  
 Autor: E. Rosati

Rev04	04	14.12.2012 / ADDED S12000 EXPORT / L.PRATELLI	Rev08	///	////
Rev03	03	09.03.2012 / ADDED S12000 + HUK (63A)	Rev07	///	////
Rev02	02	03.03.2011 / REVERSED IGN DIODE ON PAGE 2 / E.ROSATI	Rev06	///	////
Rev01	01	26.11.2010 / ADDED VERSION + AMF / E.ROSATI	Rev05	05	14.05.2014 / MODIFIED PHASE SEQUENCE - (Layer 10/11/12/17) / D.TANGARI