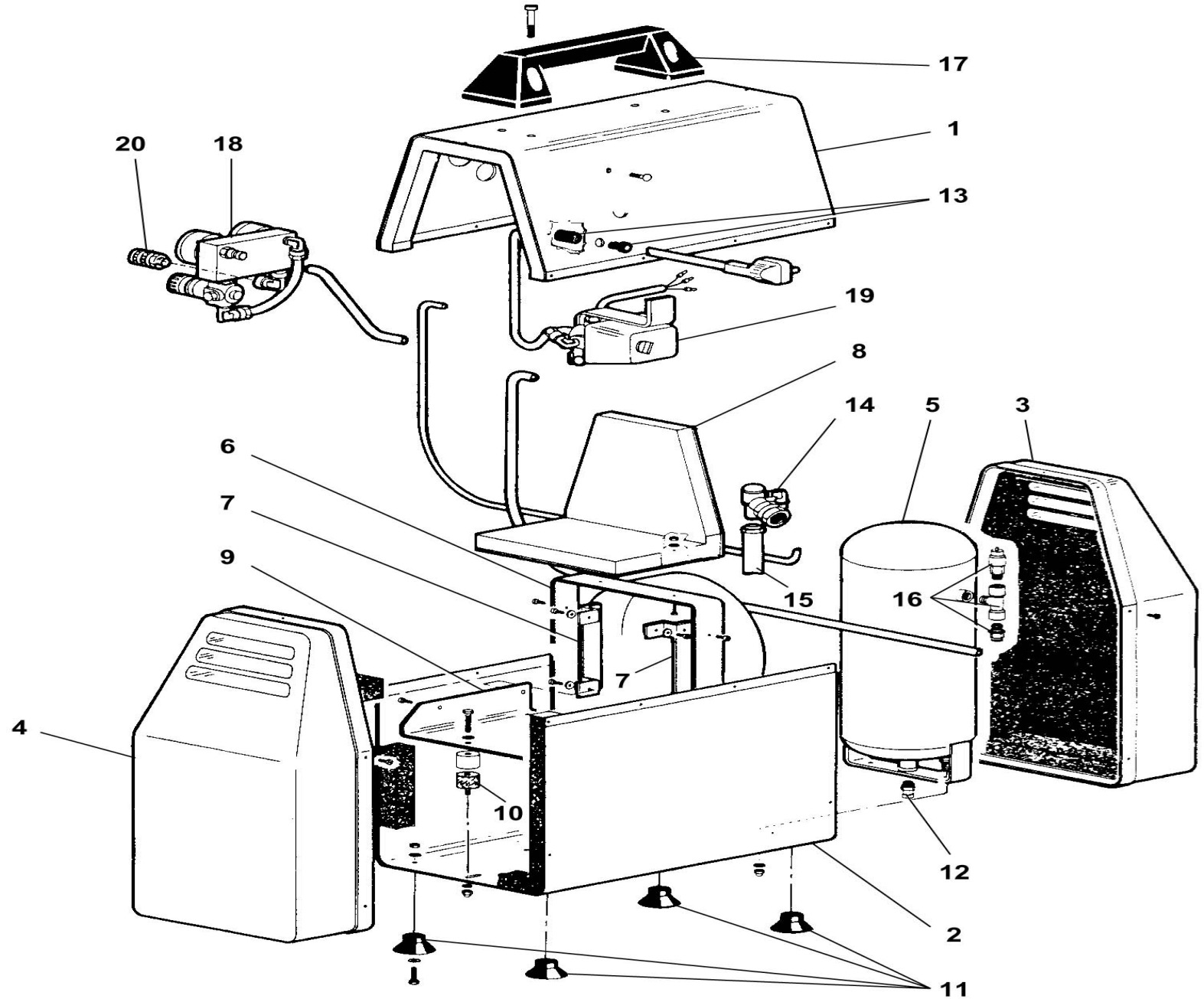




# COMPACT 106



**SINGLE PHASE V220-50/1 cod. 1703100000**  
**MONOFASE V220-50/1 cod. 1703100000**

