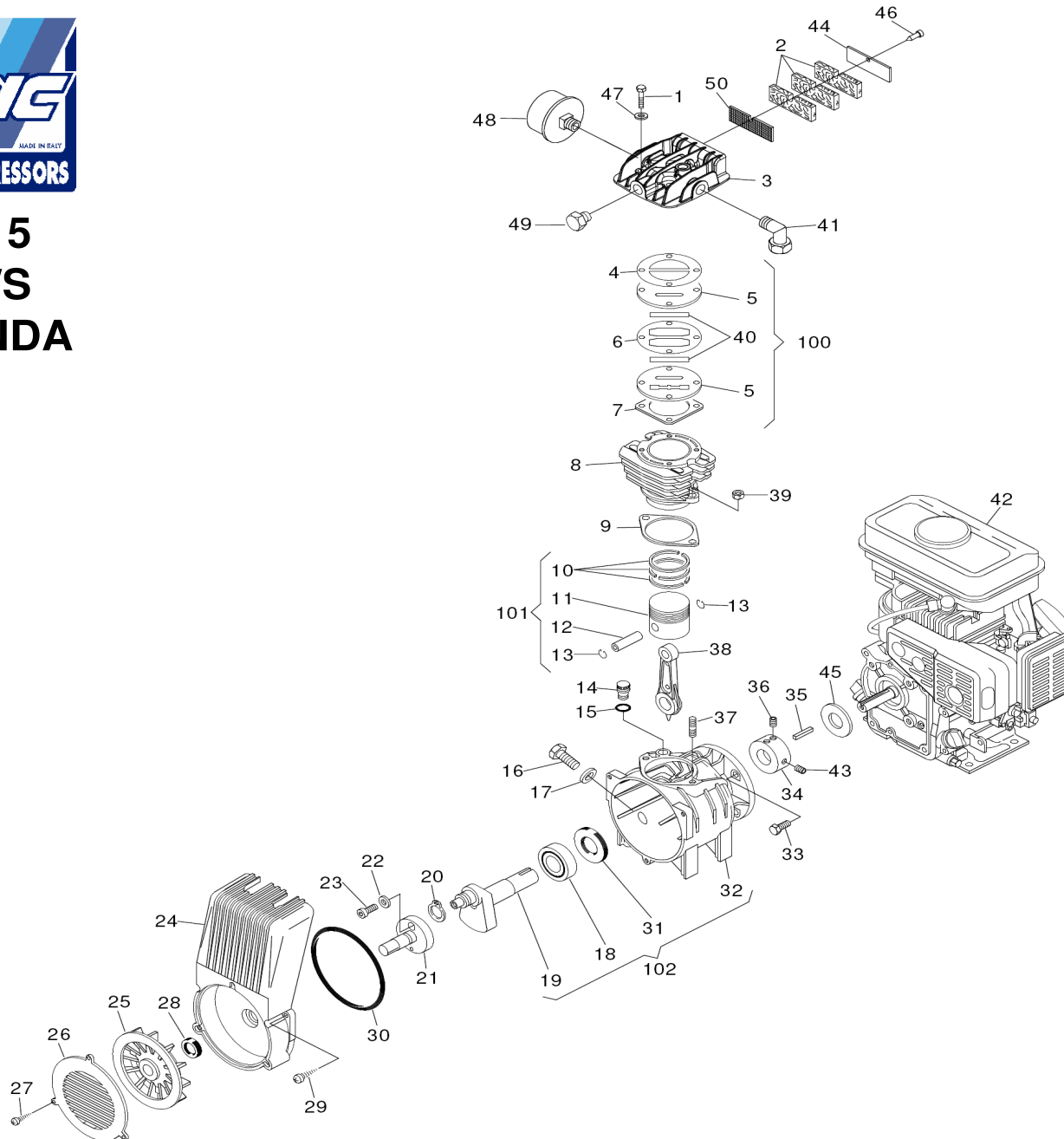




**S15
M/S
HONDA**



S 15 M-S HONDA

validity date - from 11/12/2008

Ref.	Code	Description	Quantity
1	1127010122	Screw	4
2	1127210001	Filtering element	3
3	1125030015	Head	1
5	1127450953	Valve plate Kit	1
8	1127570536	Cylinder	1
10	1124080024	Piston rings kit	1
11	1127220005	Piston	1
12	1127050003	Piston pin	1
13	1127040103	Internal snapring	2
14	1127090812	Plug	1
15	1127070001	O-ring	1
16	1127090009	Plug	1
17	1127070201	Gasket	1
18	1127060006	Bearing	1
19	1125040128	Crankshaft	1
20	1127040004	Internal snapring	1
21	1125040072	Fan shaft	1
22	1127030003	Washer	1
23	1127010042	Screw	1
24	1125080006	Cover	1
25	1127200015	Fan	1
26	1127240806	Grill	1
27	1127010206	Screw	3
28	1127070126	Oil seal	1
29	1127010229	Screw	3
30	1127070025	O-ring	1
31	1127070109	Oil seal	1
32	1125070026	Crankcase	1
33	1127010197	Screw	4
34	1127040051	Ring	1
35	1127050128	Key	1
36	1127010610	Screw	2
37	1127010502	Stud bolt	2
38	1125050016	Connecting rod	1
39	1127020007	Nut	2
40	1124080105	Valve plate kit	1
41	1127080419	Joint	1
42	1127380011	Petrol engine	1
43	1127010619	Screw	1
44	7488011000	Plate	1
45	1127040020	Ring	1
46	1127010208	Screw	1

