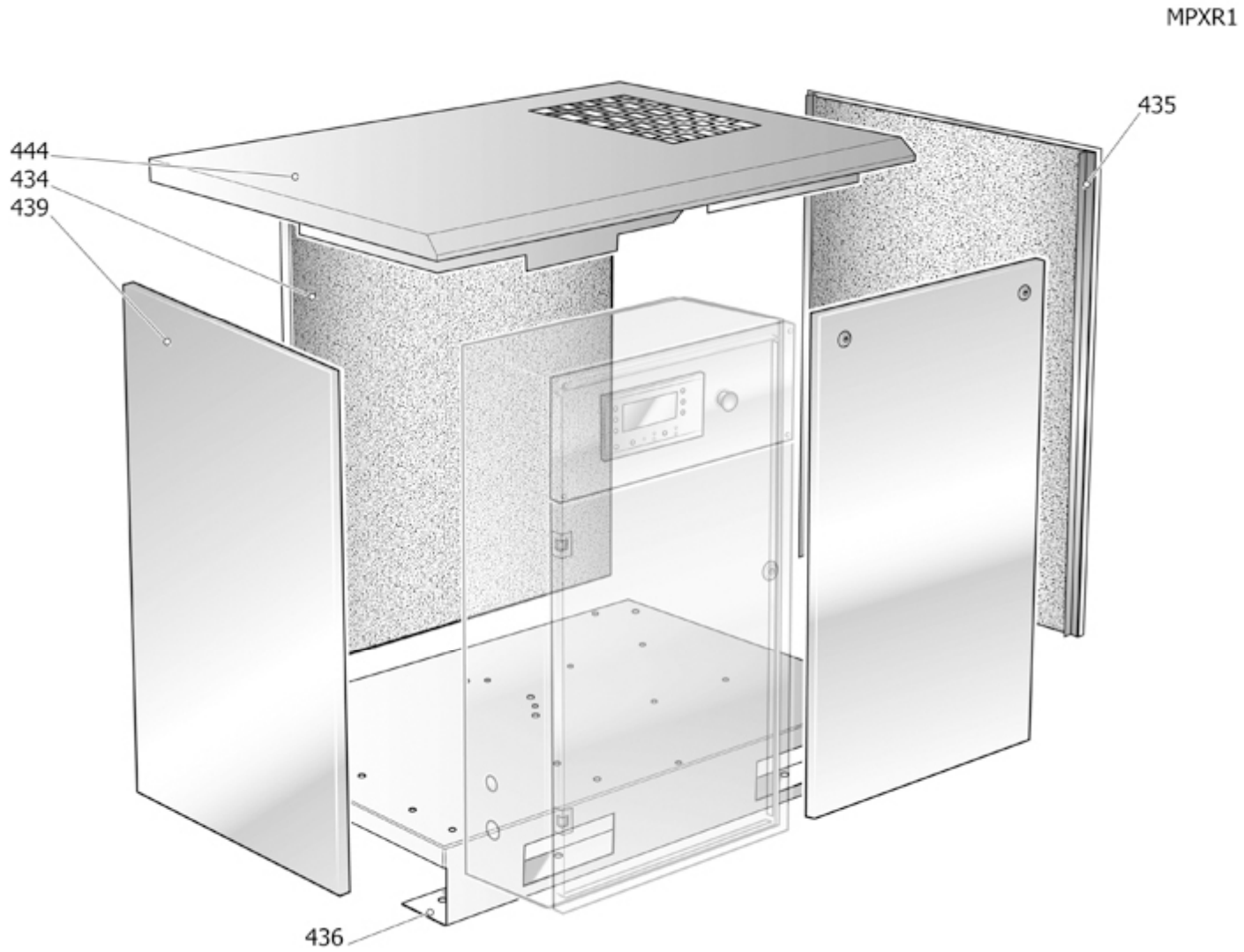




V91PT92FNM801

K-MAX 7,5-10-270F ES (IE3)

| Pos | Component | MU | Multiplier |
|------|---------------|-----------------------------|------------|
| 164 | 4101290 | L-SHAPED COUPLING MF G3/8" | PZ 1,0 |
| 400 | #451PT0101V44 | COMPLETE HOUSING | PZ 1,0 |
| 421 | #151PO0031V41 | OIL SEPARATOR TANK | PZ 1,0 |
| 425 | | TANK COMPONENT | |
| 436 | #251PT0121V44 | BASE PLATE | PZ 1,0 |
| 437 | #251PT0124V60 | FRONT DOOR | PZ 1,0 |
| 450 | | COMPRESSOR COMPONENT | |
| 482 | #160TG0026 | TUBO FLEX 1/2" BSP 2FD L870 | PZ 1,0 |
| 515 | #048510000 | DRYER | PZ 1,0 |
| 600 | #451PT0145V44 | ELECTRIC CABINET | PZ 1,0 |
| 1000 | | LONG LIFE KIT LIST | |
| 3009 | #191PC0020 | HYDRAULIC HOSE BSP G1/2x710 | PZ 1,0 |



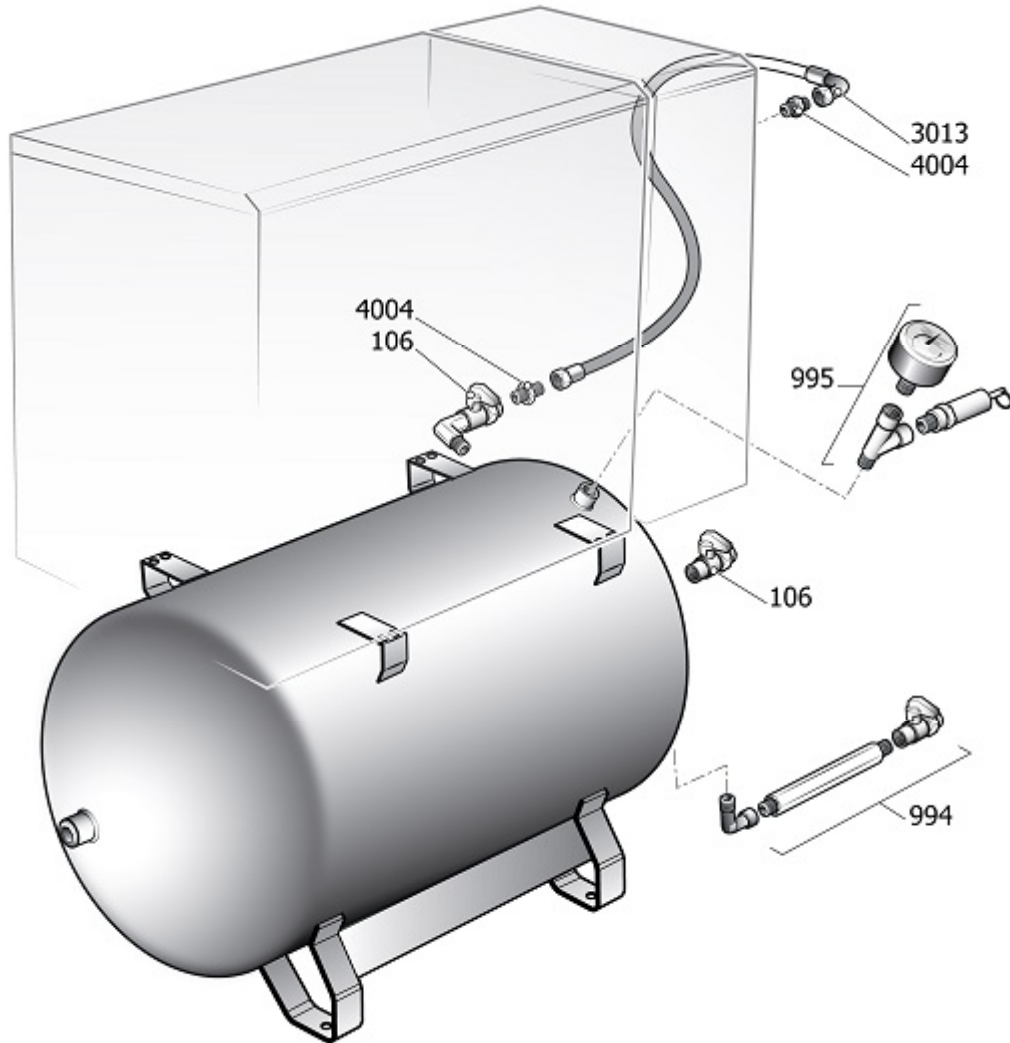


[451PT0101V44

COMPLETE HOUSING

| Pos | Component | | MU | Multiplier |
|-----|---------------|---------------|----|------------|
| 434 | #251PT0102V44 | REAR PANEL | PZ | 1,0 |
| 435 | #251PT0013V44 | RH REAR PANEL | PZ | 1,0 |
| 439 | #251PT0022V44 | LH REAR PANEL | PZ | 1,0 |
| 444 | #251PT0107V44 | UPPER PANEL | PZ | 1,0 |

LPSR2





TANK COMPONENT

| Pos | Component | | MU | Multiplier |
|------|------------|------------------------------|----|------------|
| 106 | 9047089 | LINE COCK | PZ | 1,0 |
| 109 | 9052802 | PRESSURE GAUGE | PZ | 1,0 |
| 994 | 9421512 | CONDENSATE DRAIN KIT | PZ | 1,0 |
| 995 | 9421580 | KIT MN+VS 11B S_270 SCRL-PLS | PZ | 1,0 |
| 4004 | #011000418 | RACC.ADT.MM 1/2" BSP | PZ | 2,0 |
| 4006 | #011000411 | RACC.ADT.90\$MM 1/2"OR-BSP | PZ | 2,0 |



9421512

CONDENSATE DRAIN KIT

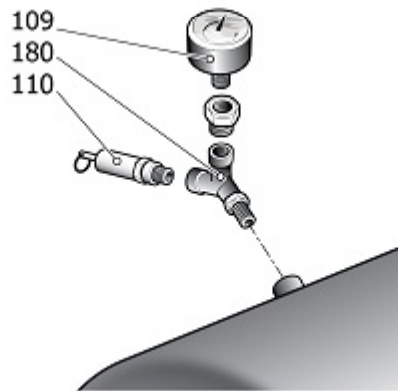


9421512

CONDENSATE DRAIN KIT

| Pos | Component | | MU | Multiplier |
|-----|------------|--------------------------------|----|------------|
| 107 | #A07162000 | CONDENSATE DRAIN COCK | PZ | 1,0 |
| 164 | 4101290 | L-SHAPED COUPLING MF G3/8" | PZ | 1,0 |
| 181 | #199000031 | ADAPTER MM 3/8 L=170 CONDENSAT | PZ | 1,0 |

KMVS

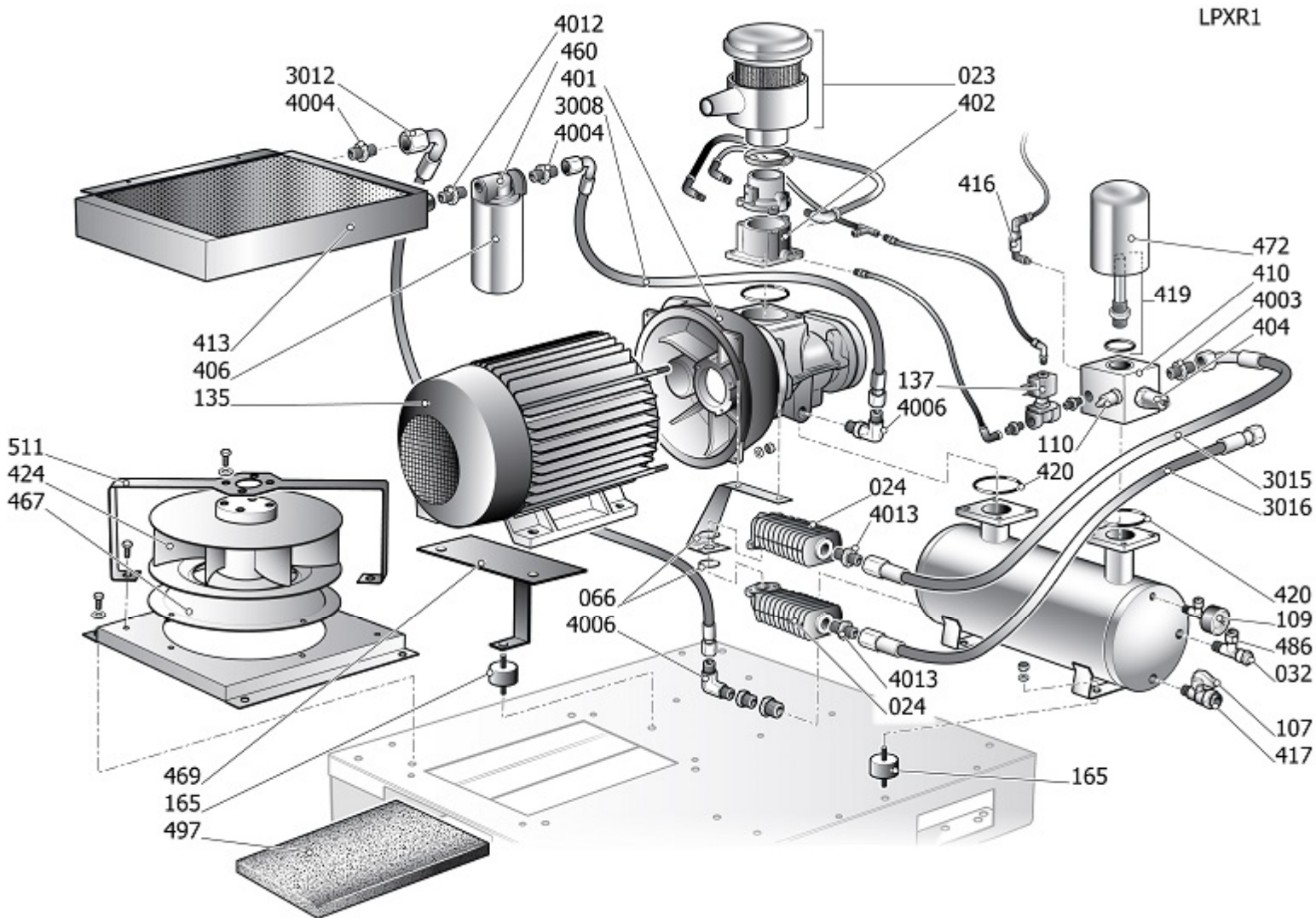




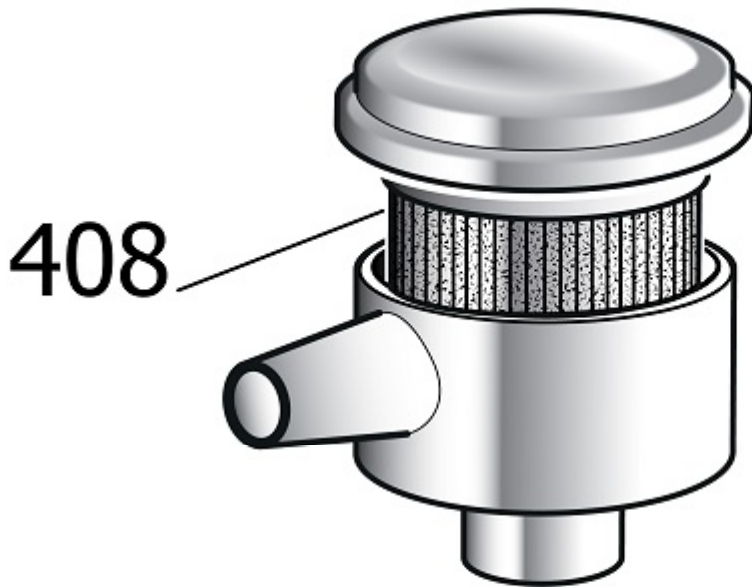
9421580

KIT MN+VS 11B S_270 SCRL-PLS

| Pos | Component | MU | Multiplier |
|-----|-----------------------------------|----|------------|
| 109 | #330060000 PRESSURE GAUGE | PZ | 1,0 |
| 110 | 9049164 RELIEF VALVE | PZ | 1,0 |
| 180 | 4105969 JOINT V 3/8 MFF B47480000 | PZ | 1,0 |



| Pos | Component | MU | Multiplier |
|------|---------------|---------------------------------|------------|
| 23 | #317087000 | AIR FILTER ASSEMBLY | PZ 1,0 |
| 24 | #113163025 | MANIFOLD | PZ 2,0 |
| 32 | 9411267 | OIL LIGHT | PZ 1,0 |
| 66 | #010012000 | MANIFOLD SEAL | PZ 2,0 |
| 106 | 9047089 | LINE COCK | PZ 1,0 |
| 107 | #322055100 | CONDENSATE DRAIN COCK | PZ 1,0 |
| 109 | #330060100 | PRESSURE GAUGE | PZ 1,0 |
| 110 | #047211000 | RELIEF VALVE | PZ 1,0 |
| 123 | #011195000 | T FITTING G1/8" MFF | PZ 1,0 |
| 123 | #011353002 | FITTING T MFF 1/2" | PZ 1,0 |
| 124 | #011211010 | RACC.CALZAM.DIRITTO M 1/8 6X4+ | PZ 1,0 |
| 127 | #046014000 | HOSE 6X4 PA12 J7 BLACK | MT 0,5 |
| 127 | #046018000 | HOSE 6X4 PA12 BLU | MT 1,0 |
| 135 | #5401175622E3 | MOTOR | PZ 1,0 |
| 137 | #008195010 | SOLENOID VALVE | PZ 1,0 |
| 164 | #011000175 | FITTING 90\$ M5XRILSAN 4X6 AUTO | PZ 1,0 |
| 164 | #011000180 | ELBOW MM R1/8 | PZ 1,0 |
| 164 | #011747101 | RACC.AUTOM.GIR.LM1/8XØ6 | PZ 1,0 |
| 164 | 4100714 | RACC.1104/1CALZ.L1/8X6 011055 | PZ 1,0 |
| 165 | #020027100 | ANTIVIBR.D40 H30 2C.M8X23 60SH | PZ 4,0 |
| 165 | #020135000 | VIBRATION DAMPER MF 6040 M10 | PZ 1,0 |
| 300 | 41K0174 | WHEELS/FEET MOUNTING KIT | PZ 1,0 |
| 401 | #5303000210 | AIR END | PZ 1,0 |
| 402 | #319261050 | INTAKE REGULATOR | PZ 1,0 |
| 404 | #347111000 | MIN. PRESSURE VALVE | PZ 1,0 |
| 406 | 9054200 | OIL FILTER | PZ 1,0 |
| 410 | #347144000 | AIR-OIL SEPARATOR BLOCK | PZ 1,0 |
| 413 | #048492000 | AIR-OIL RADIATOR | PZ 1,0 |
| 416 | #012097000 | OIL LIGHT | PZ 1,0 |
| 417 | #012023000 | OIL PLUG | PZ 1,0 |
| 419 | #011376010 | AIR-OIL SEPARATOR NIPPLE | PZ 1,0 |
| 420 | \$30502700 | OR VITON 3187 BROWN UNDER COOL | PZ 1,0 |
| 420 | #010090000 | O RING 4250 VITON | PZ 1,0 |
| 420 | #010123000 | O RING 2093 VITON | PZ 1,0 |
| 420 | #010124000 | O RING 2087 VITON | PZ 1,0 |
| 424 | #024110010 | ELECTRIC FAN | PZ 1,0 |
| 460 | #248385100 | OIL FILTER HEAD | PZ 1,0 |
| 467 | #025019000 | BOCCAGLIO VENTOLA RADIALE D250 | PZ 1,0 |
| 469 | #151PT0034V44 | MOTOR PLATE | PZ 1,0 |
| 472 | #048287000 | SEPARATOR FILTER | PZ 1,0 |
| 479 | #011000146 | NIPPLE 1/2 MF HOSE | PZ 1,0 |
| 486 | #011999006 | PLUG | PZ 1,0 |
| 497 | #151PT0014 | PREFILTER | PZ 1,0 |
| 511 | #151PT0016V44 | FAN SUPP.BRACKET D250 K-MID@ | PZ 1,0 |
| 3008 | #151PO0032 | SEND.PIPE FLEX 1/2" 320MM | PZ 1,0 |
| 3012 | #160LJ0027 | TUBE FLEX 1/2" BSP FD+F90 L550 | PZ 1,0 |
| 3015 | #160LJ0047 | TUBO FLEX1/2"BSP FD+F90 L550NI | PZ 1,0 |
| 3016 | #160RL0007 | TUBO FLEX1/2"BSP FD+F45 L425NI | PZ 1,0 |
| 4003 | #011000417 | RACC.ADT.MM 1/2" OR-BSP | PZ 1,0 |
| 4004 | #011000418 | RACC.ADT.MM 1/2" BSP | PZ 2,0 |
| 4006 | #011000411 | RACC.ADT.90\$MM 1/2"OR-BSP | PZ 2,0 |
| 4012 | #011000409 | RACC.ADT.MM 1/2" CON-BSP | PZ 1,0 |
| 4013 | #011001275 | RACC.ADT.MM 1/2"X3/4" NIPLOY | PZ 2,0 |

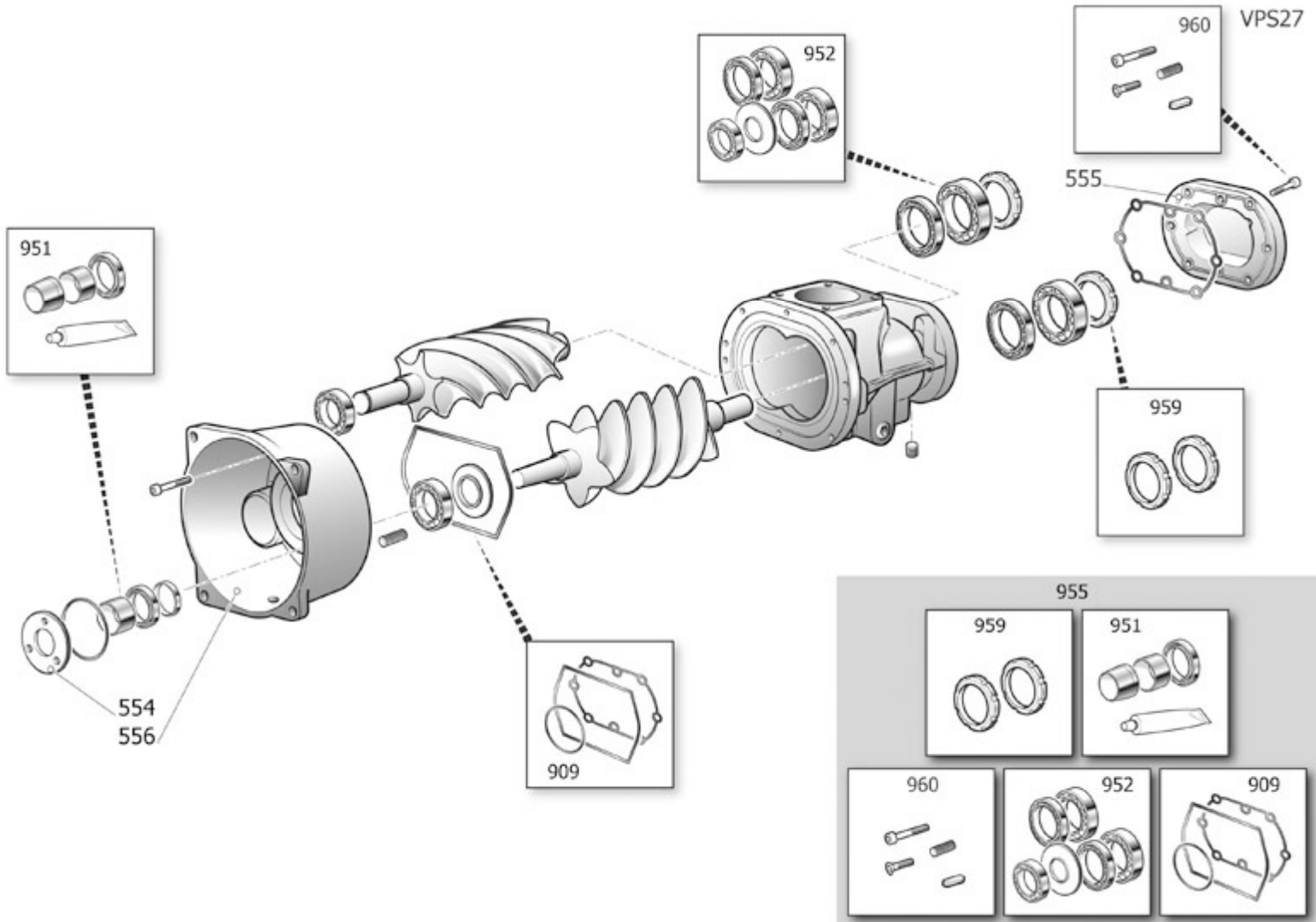




[317087000

AIR FILTER ASSEMBLY

| Pos | Component | MU | Multiplier |
|-----|---|----|------------|
| 408 | #017092000 AIR FILTER CARTRIDGE MICRO-CUB | PZ | 1,0 |



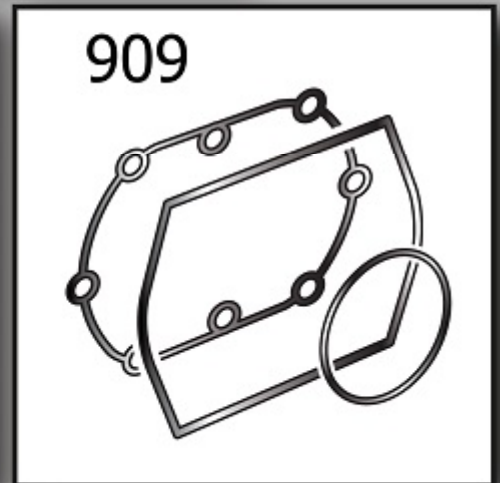
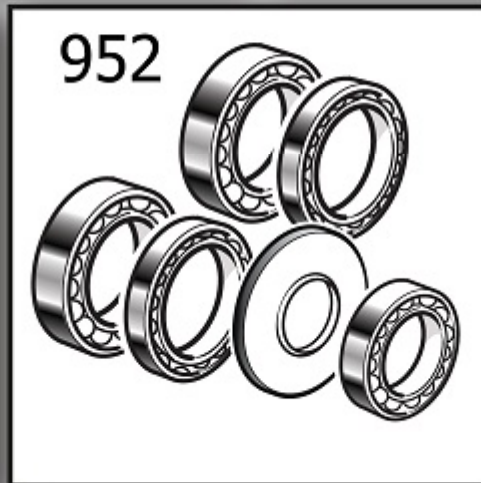
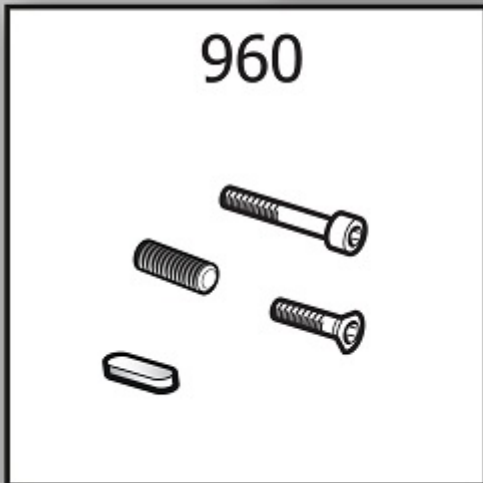
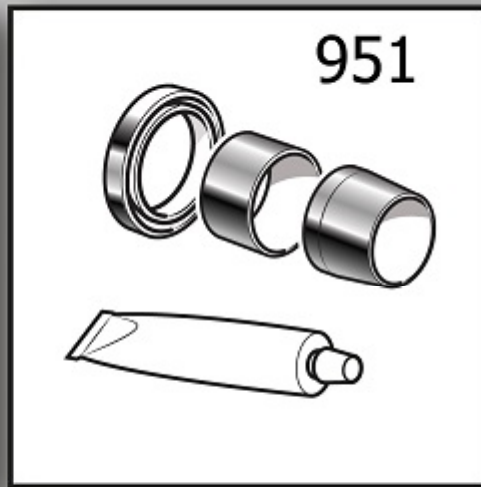
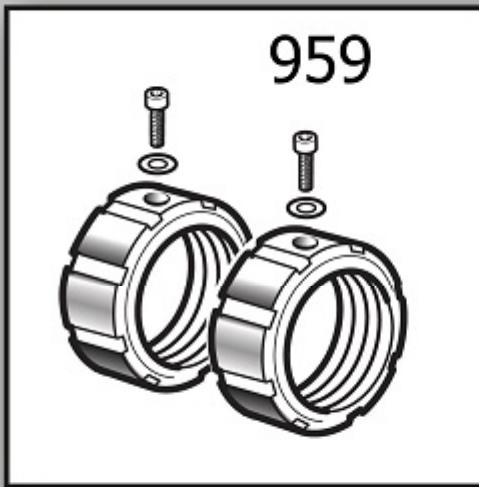


[5303000210

AIR END

| Pos | Component | | MU | Multiplier |
|-----|------------|----------------------|----|------------|
| 554 | #130300013 | SEAL SUPPORT | PZ | 1,0 |
| 555 | #030300003 | REAR COVER | PZ | 1,0 |
| 556 | #130300042 | BELL/FRONT SUPPORT | PZ | 1,0 |
| 955 | #230300200 | AIR END OVERHAUL KIT | PZ | 1,0 |

955

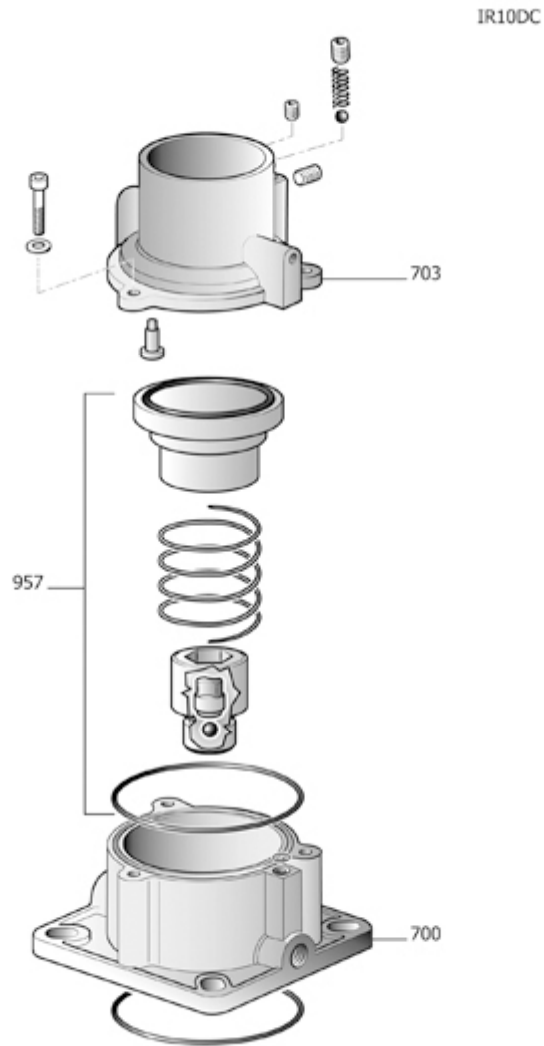




[230300200

AIR END OVERHAUL KIT

| Pos | Component | | MU | Multiplier |
|------------|------------------|--------------------------------|-----------|-------------------|
| 909 | #230300250 | KIT GUARNIZ. FS26TF/TFC/TM/TMC | PZ | 1,0 |
| 951 | #230300240 | SEAL KIT | PZ | 1,0 |
| 952 | #230300230 | BEARING KIT | PZ | 1,0 |
| 959 | #230300210 | RING NUT KIT | PZ | 1,0 |
| 960 | #230300220 | BOLTS AND SCREWS KIT | PZ | 1,0 |

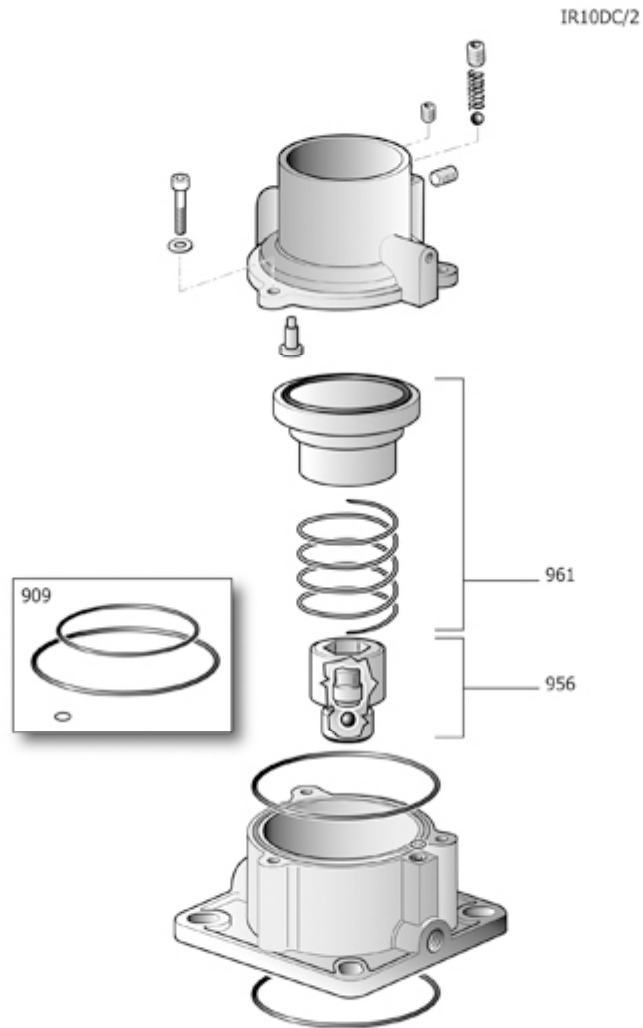




[319261050

INTAKE REGULATOR

| Pos | Component | | MU | Multiplier |
|-----|------------|------------------------------|----|------------|
| 700 | #199260001 | AIR INTAKE VALVE | PZ | 1,0 |
| 703 | #199261001 | FLANGE AIR FILTER IR10DC D40 | PZ | 1,0 |
| 957 | #260260050 | INTAKE VALVE KIT | PZ | 1,0 |

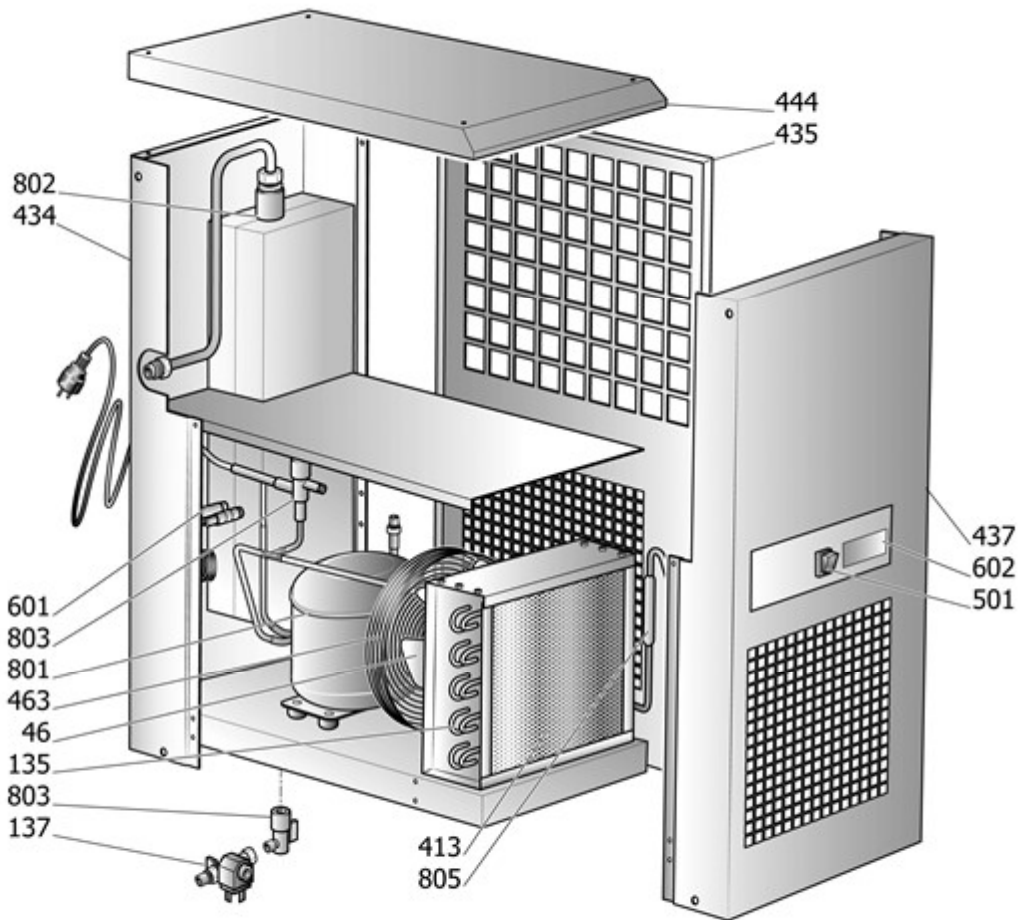




[260260050

INTAKE VALVE KIT

| Pos | Component | | MU | Multiplier |
|-----|------------|--------------------------------|----|------------|
| 909 | #260261000 | KIT GUARNIZ.IR10DC/IR30/IR30DC | PZ | 1,0 |
| 956 | #260264011 | KIT ASTA GUIDA IR30+UNIDIREZ. | PZ | 1,0 |
| 961 | #299243050 | KIT SOST.OTTURATORE/MOLLA IR20 | PZ | 1,0 |



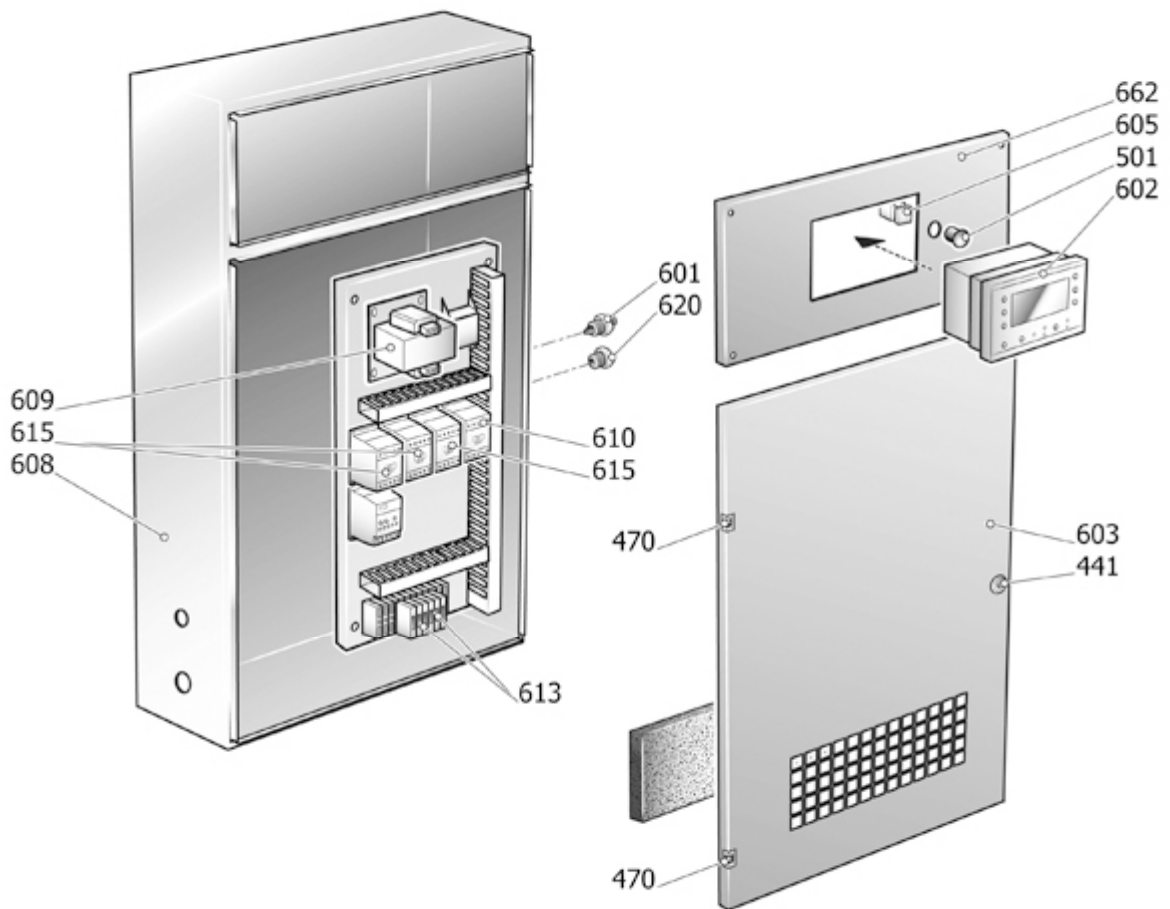


[048510000

DRYER

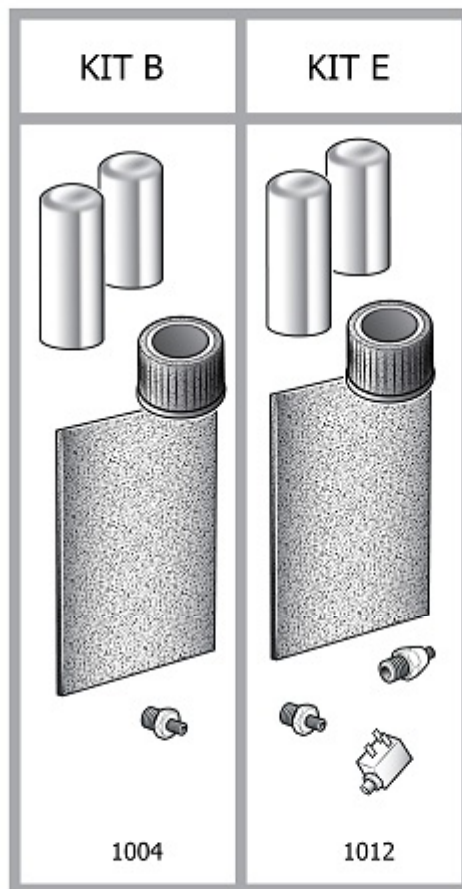
| Pos | Component | MU | Multiplier |
|-----|---------------------------------|----|------------|
| 46 | #048431011 FAN | PZ | 1,0 |
| 135 | #048500011 MOTOR | PZ | 1,0 |
| 137 | #048500014 SOLENOID VALVE | PZ | 1,0 |
| 414 | #048500009 AIR RADIATOR | PZ | 1,0 |
| 434 | #048510003V44 REAR PANEL | PZ | 1,0 |
| 435 | #048510004V44 RH REAR PANEL | PZ | 1,0 |
| 437 | #048510002V44 FRONT DOOR | PZ | 1,0 |
| 444 | #048510005V44 UPPER PANEL | PZ | 1,0 |
| 496 | #048431012 FAN GRILLE | PZ | 1,0 |
| 502 | #048431013 SWITCH/SELECTOR | PZ | 1,0 |
| 601 | #048431026 TEMP. PROBE | PZ | 1,0 |
| 602 | #048501015 CONTROLLER | PZ | 1,0 |
| 801 | #048500120 COMPRESSOR FOR DRYER | PZ | 1,0 |
| 802 | #048510001 ALU-DRY MODULE | PZ | 1,0 |
| 803 | #048500026 PILOT VALVE | PZ | 1,0 |
| 804 | #048501002 SERVICE VALVE | PZ | 1,0 |
| 805 | #048501001 DEHYDRATING FILTER | PZ | 1,0 |

EPXR1



| Pos | Component | MU | Multiplier |
|-----|---------------|--------------------------------|------------|
| 441 | #020076000 | PANEL LOCK | PZ 4,0 |
| 470 | #020081000 | HINGE | PZ 2,0 |
| 501 | EOP270KIT216 | E-STOP BUTTON | PZ 1,0 |
| 601 | #008333000 | TEMP. PROBE | PZ 1,0 |
| 602 | #305420000SGL | CONTROLLER | PZ 1,0 |
| 603 | #151PT0103V44 | ELECTRIC COMPT. DOOR | PZ 1,0 |
| 608 | #151PT0104V44 | ELECTRIC COMPARTMENT | PZ 1,0 |
| 609 | #005592000 | TRANSFORMER | PZ 1,0 |
| 610 | #005468000 | PHASE SEQUENCE RELAY | PZ 1,0 |
| 613 | #005301000 | FUSE 6,3X32 4A CERAMICO GF | PZ 2,0 |
| 613 | #005429000 | FUSE 6,3X32 1A | PZ 2,0 |
| 613 | #005630000 | FUSIBILE 6,3X32 2A CERAMICO GF | PZ 6,0 |
| 615 | #005635000 | CONTATTORE 3RT2015-1AB01 SIEME | PZ 1,0 |
| 615 | #005638000 | CONTATTORE 3RT2017-1AB01 SIEME | PZ 1,0 |
| 615 | #005639000 | CONTATTORE 3RT2017-1AB02 SIEME | PZ 1,0 |
| 615 | #005640000 | CONTATTORE 3RT2016-1AB02 SIEME | PZ 1,0 |
| 620 | #008167010 | TRANSDUCER | PZ 1,0 |
| 662 | #151PT0105V44 | CONTROL.FRAME ETIV | PZ 1,0 |

LLK05





LONG LIFE KIT LIST

| Pos | Component | | MU | Multiplier |
|------------|------------------|--------------------------|-----------|-------------------|
| 1004 | #260KTB15E | LONG LIFE KIT B - 4000h | PZ | 1,0 |
| 1012 | #260KTE32E | LONG LIFE KIT E - 12000h | PZ | 1,0 |