

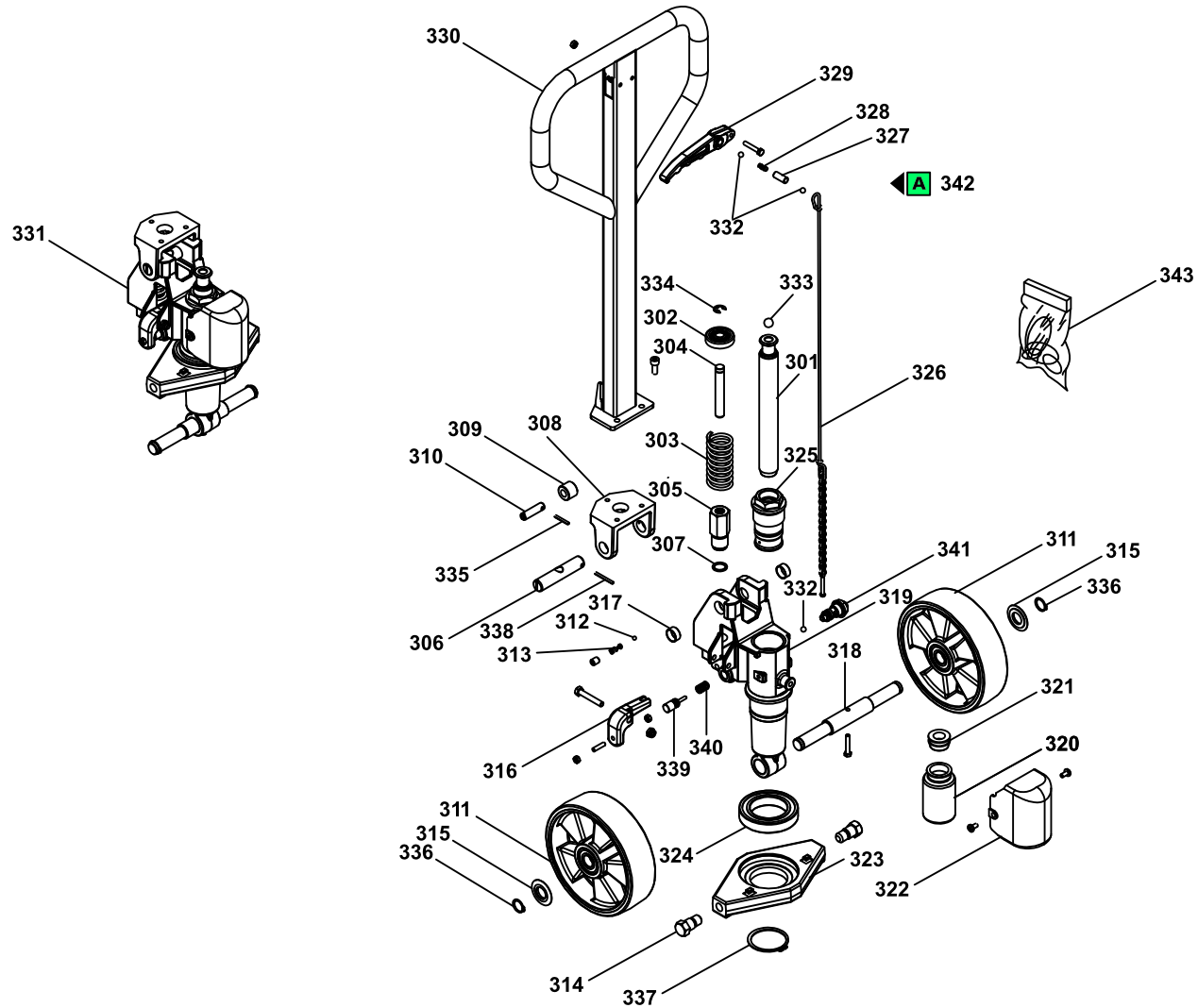
Spare Parts Catalogue

GS-30-S4-1150x525

Hand pallet trucks

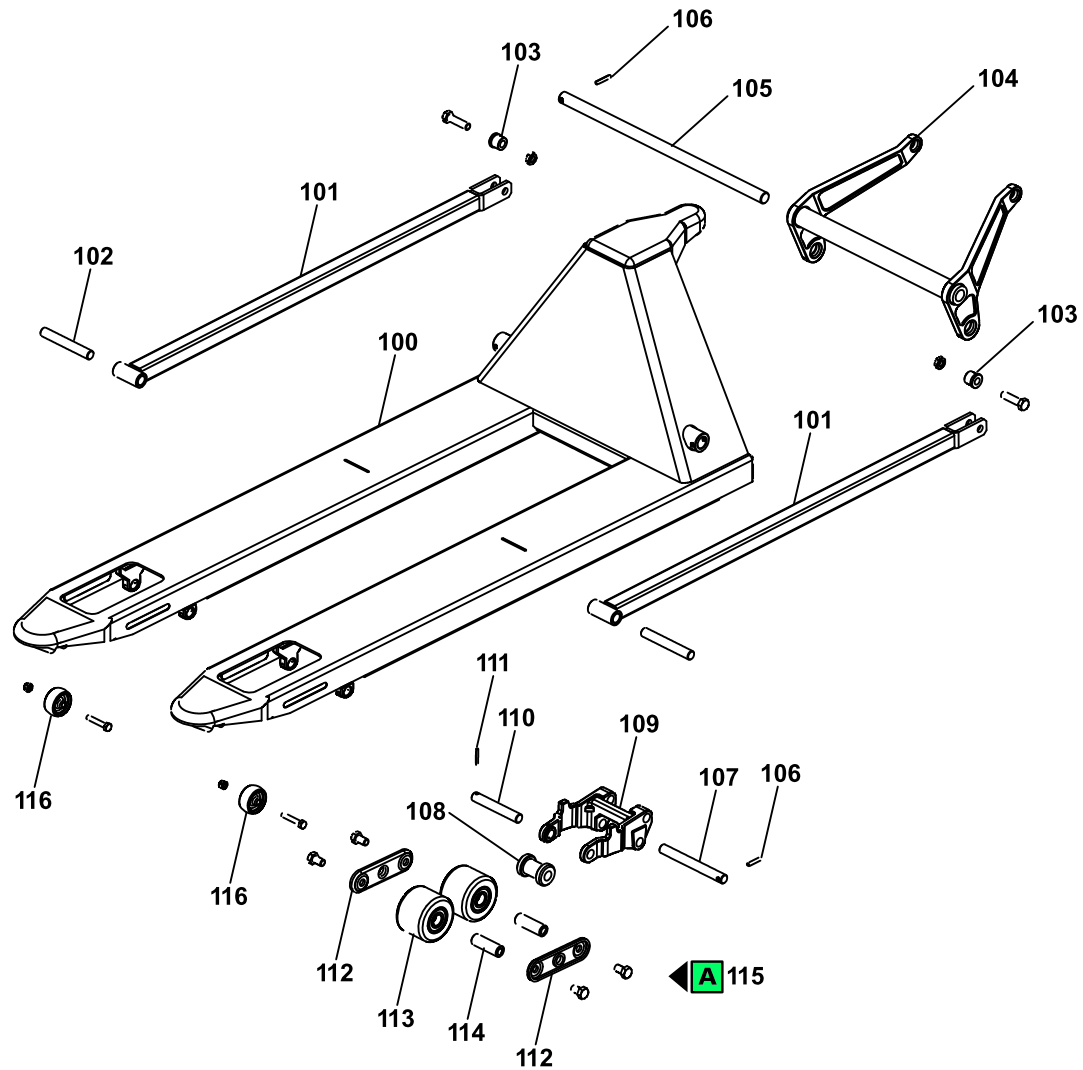
Valid for machine code: GFF41A0F100

Revision: 0 (02/2015)



POSITION	PART NUMBER	DESCRIPTION	NOTES
301	S00003502	PISTON GS/GLOBAL (MACHINED)	
302	G09007	SPRING SLIDE CUP GS/USA '99 LAM.ZN	
303	G001103	SPRING De42 F.4,5x125 P.15 GRINDED-ZINC PLATED	
304	S0004013006	PLUNGER PUMP GS	
305	S0004010470	BURNISHED CYLINDER GS-GS/GALV ASSEMBLED	
306	S0004013008	CHAIN GUIDE PIN (L.98) BURNISHED	
307	G096001	COPPER WASHER 18x23,5x1,5	
308	S0004011012	CAST IRON BRIDGE GS	
309	S0004013001	PUMP-UP ROLLER TP/GS BURNISHED	
310	S0004013002	PUMP-UP ROLLER PIN GS	
311	S0004010186	NYLON WHEEL D200 WITH BEARINGS	
311	P0RU00014	RUOTA POLY I./NYLON D200x45 GS	
311	S000007047	WHEEL WHITE NYLON D200x50 HEAVY DUTY VERSION + SEALED BEARINGS	
311	S0002010169	Rubber Wheel D200 (model No. Ea200bh-65a Lifter)+bearing	
311	S0014010233	POLYURETHANE WHEEL /ALL D200x50 LAG + BEARINGS 6204	
312	G016116	BALL 7/32" (mm5,556)	
313	G001104	SPRING De8 F.1,7x22 P.3,5 GRINDED	
314	S0004015007	CROSS SCREW GS 30	
315	G091101	WHEEL DUSTGUARD TP 47x20 SP3.9 TELLURE	
316	S000003901	OPENING SPILL PEDAL '07 GS	
317	S0004018002	BODY PUMP BUSHING GS (20x22x10)	
318	S0004015015	WHEEL AXLE GS/HL10E	
319	P0PP00006	New code S000003106	
320	S0004018003	OIL TANK PALLET TRUCK GS	
321	S0004018001	OIL TANK CAP PALLET TRUCK GS	
322	S0004018005	TANK PROTECTION GS (SHORT)	
323	S000003109	CROSS GS '09 BLACK RAL 9005 MACHINED	
324	G010220	BEARING 6012 RS(60-95-18)	
325	S0004011024	CAST IRON BUSHING GS (MACHINED)	
326	P0TT00001	COMPLETE TIE-ROD WITH HANDLE LEVER GS (Ø3.3)	
327	S0004036022	LOWERING LEVER SPACER GS	
328	G001126	LOWERING LEVER SPRING GS	
329	S0004018006	LOWERING LEVER PALLET TRUCK GS	
330	S0004030331	PUMP HANDLE GS/E PAINTED	
331	S000022030	HYDRAULIC SET GS PRO '15 30q + POLY.C/ALL. WHEELS	
331	S000010070	HYDRAULIC UNIT GS-GS USA '09 30q + NYLON WHEELS	

POSITION	PART NUMBER	DESCRIPTION	NOTES
331	S000022032	HYDRAULIC SET GS PRO '15 30q + RUBBER WHEELS	
331	S000022031	HYDRAULIC SET GS PRO '15 30q + POLY I./NYLON GREY D200x55 WHEELS	
332	G016104	BALL 5/16" (mm7,938)	
333	G016103	BALL 9/16" (mm14,288) BALL 2	
334	G042501	LOCKER RING RS 7434 D10	
335	G044319	ELASTIC PEG SPIROL 8748 D4x30	
336	G042120	OUTER SEEGER 7435 E 20	
337	G042160	OUTER SEEGER 7435 E 60	
338	G044318	ELASTIC PEG SPIROL 8748 D 4x40	
339	▲ P3VA00007	KIT SPILLO APERTURA + MOLLA GS-AV	Attention: this item is valid for machines produced with serial number from HLI0175024 Interchangeable: NO
339	▲ P3VA00001	SLOT PIN GS '02 COMPLETE (SPARE PART)	Attention: this item is valid for machines produced with serial number until HLI0175024 Interchangeable: NO
340	▲ G001102	PEDAL RETURN SPRING	Attention: this item is valid for machines produced with serial number until HLI0175024 Interchangeable: NO
340	▲ S000003900	OPENING PLUNGER SPRING GS '15	Attention: this item is valid for machines produced with serial number from HLI0175024 Interchangeable: NO
341	▲ S000010074	COMPLETE NO RETURN VALVE GS '11	Attention: this item is valid for machines produced with serial number from HLI0175024 until HLI0358989 Interchangeable: YES
341	▲ S000051001	COMPLETE SEALING VALVE PROPORTIONAL GS '16	Attention: this item is valid for machines produced with serial number from HLI0358989 Interchangeable: YES
341	▲ S0004010036	COMPLETE NO RETURN VALVE GS (SPARE PART)	Attention: this item is valid for machines produced with serial number until HLI0175024 Interchangeable: NO
342	S000002006	PUMP HANDLE GS PRO '08	
343	P0KI00003	GASKET SET GS '02 GS/AV	



POSITION	PART NUMBER	DESCRIPTION	NOTES
100	V000003075-PRAMAC	FRAME GS/RA 1150x525 '09 30q PAINTED	
101	V000003080-9005	PAINTED CONNECTING ROD GS 30 I=1150	
102	S0002205038	PIN D16x113 GS	
103	S0003015006	PUSHING RODS CAM GS ZINC PLATED	
104	V000003081-9005	PAINTED ROCKER ARM GS 30 b5=525	
105	S0003015038	ROCKER ARM AXLE GS b5=525	
106	G044304	ELASTIC PEG 6873 D 6x32	
107	S0002205040	REFERENCE PIN GS	
108	G056104	EXIT NYLON ROLLER D38 GS	
109	S0002201027	DOUBLE CLEVIS GS (MACHINED)	
110	S0002205039	TANDEM CONNECTION PIN GS	
111	G044319	ELASTIC PEG SPIROL 8748 D4x30	
112	S000003005	ROCKER TANDEM GS'01 ZINC PLATED	
113	S0002010132	NYLON ROLLER D82x60 + BEARING	
113	S0012050170	INJECTED POLYURETHANE ROLLER D82x60 + BEARINGS	
114	S0012035029	TANDEM ROLLER SPACER GS	
115	S0012030177	COMPLETE ROLLERS TANDEM NYLON GS	
115	S0012030178	COMPLETE ROLLERS TANDEM INJECTED POLYURETHANE GS	
116	G056103	ENTRY ROLLER FORK TP/E-GS	