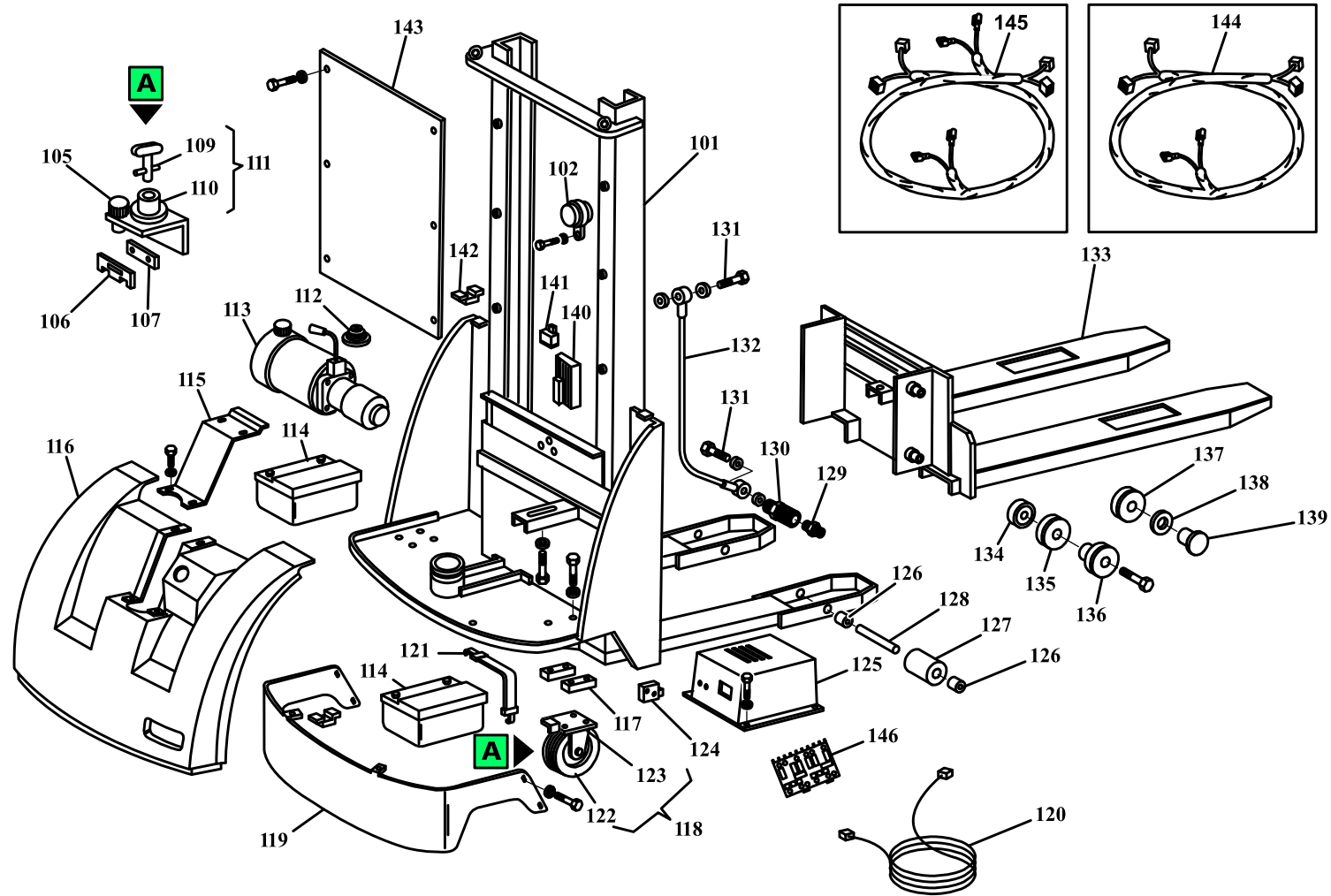


# Spare Parts Catalogue

## GX12-25

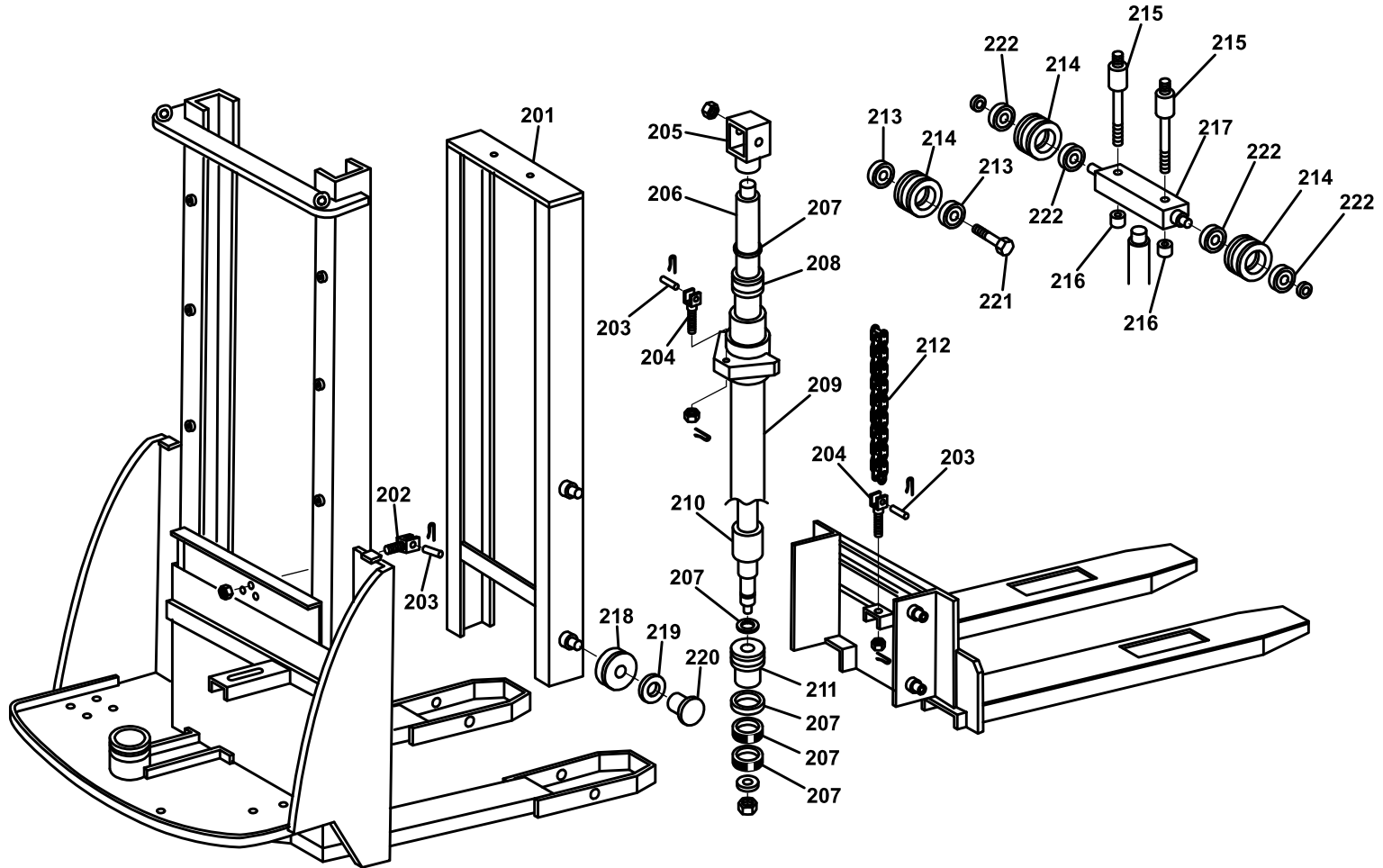
### Stackers

Valid for machine code: HC512000000  
Revision: 0 (11/2006)

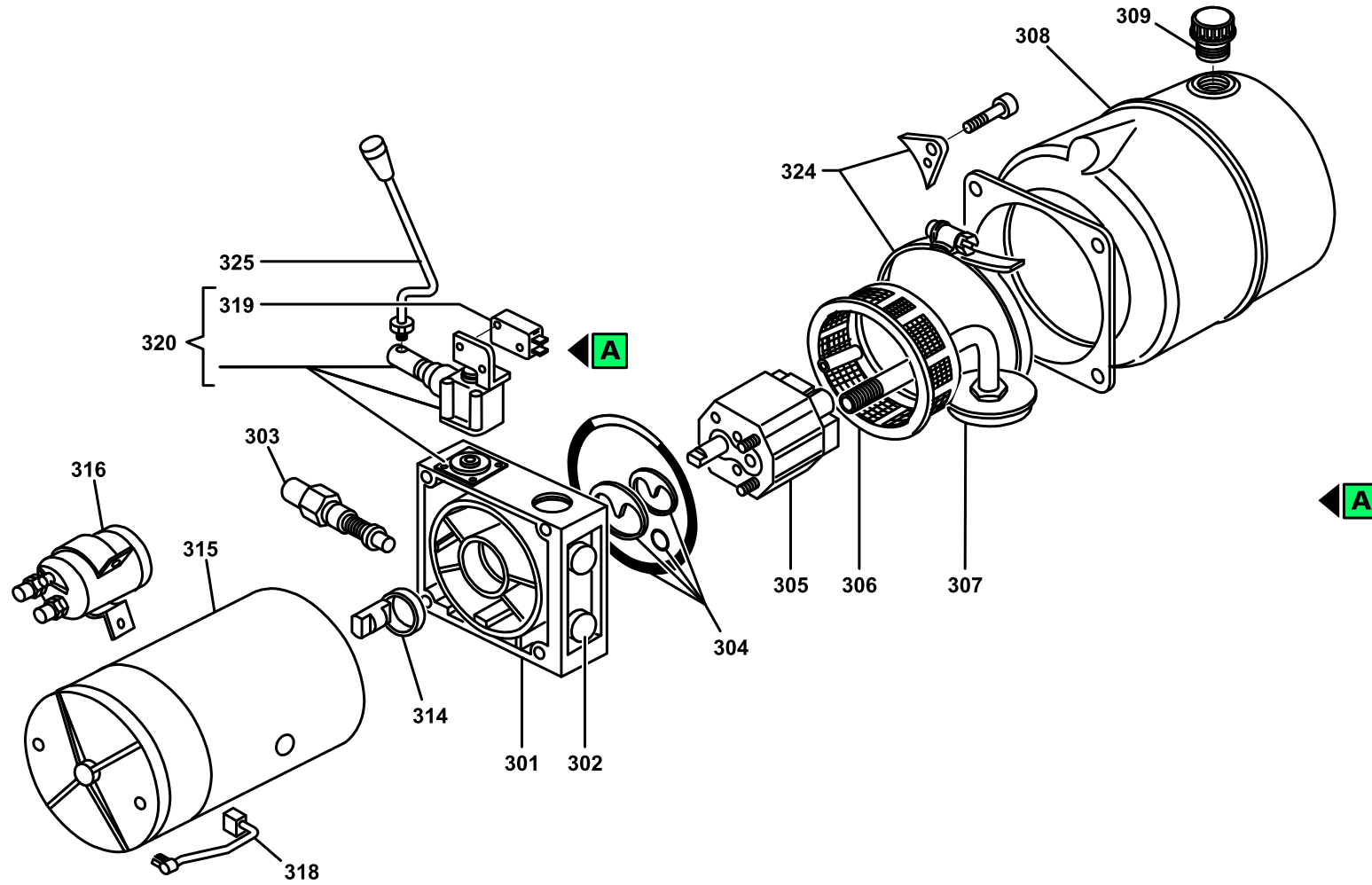


POSITION	PART NUMBER	DESCRIPTION	NOTES
101	V0311060045-PRAMAC	TELAIO GX 12/25 VERN.VERDE PRAMAC	
102	G075110	HORN 24V DC	
105	G070625	FUSE HOLDER SCREW CAP + FUSE 6.3A	
106	G077540	FUSE 160A (RFM REGHEL)	
107	G070603	FUSE HOLDER x FUSE 160Amp	
109	G075220	KEY x BATTERY DISCONNECTING SWITCH	
111	G075102	BATTERY DISCONNECTING SWITCH 1 POLE	
112	G052002	RUBBER BELLOWS (FOR STACKERS)(0-RAB/010)	
113	▲ G081035	HYDRAULIC UNIT TX12-GX10/12 '06	Attention: this item is valid for machines produced Interchangeable: YES
113	▲ G081029	CENTRAL S3010001.000 x TX12 - GX10/12	Attention: this item is valid for machines produced with serial number from 2003HG001642 Interchangeable: YES
113	▲ G081021	HYDRAULIC UNIT 222353003 UP100 (TX12- GX10-12)	Attention: this item is valid for machines produced with serial number until 2003HG001641 Interchangeable: YES
114	G099300006	STARTER BATTERY 12 V - 85 Ah C/20 DIM. MAX 353x175x190	
115	V0310018015-PRAMAC	HOOD GUARD LOCK GX10-12 GREEN PRAM.	
116	S0310018010	HOOD GUARD GX 10-12	
117	V01941-9005	PAINTED WHEEL SPACER '06 GX	
118	G053328	WHEEL POLY.C T150x40/49 C	
119	S0313010039	MOTOR WHEEL PROTECTION GX10 PAINTED	
120	PTB00019	CABLE 3x0.75 IECSK	
121	G000112	BATTERY ELASTIC WEBBING GX10/12	
122	G053334	POLYURETHANE/ALUMINIUM WHEEL T8017CC NEW x G10-TE	
123	G053412	WHEEL SUPPORT 150-160/50 h.m.120 mm.40	
124	G075006	LIMIT SWITCH WITH ROLLER PIZZATO MKV11D15	
125	▲ G099300059	OPEN FRAME BATTERY CHARGER 20A-24V x GX 12	Attention: this item is valid for machines produced with serial number until LLI0035913 Interchangeable: YES
125	▲ S000045930	HIGH FREQUENCY BATTERY CHARGER 12-24V 11,5A BRACKET GX/TX12 + CABLE IEC-SCHUKO 2m	Attention: this item is valid for machines produced with serial number from LLI0035913 Interchangeable: YES
126	S0302016026	ROLLER SPACER SING.TX-GX (L.15) ZINC	
127	S0302020117	POLYURETHANE ROLLER D82x70 + BEARING	
128	S0302015025	CLEVIS PIN TX/GX/LX "BURNISHED"	
129	G084103	MALE/MALE ADAPTATORS 3/8"	
130	G085003	FLOW CONTROL VALVE 3/8"	
131	G084001	SCREW PERFORATE (4 HOLES ) 3/8" L 29 -0,5/0 CH22	
132	G083012	TUBE R1AT 3/8"	
133	V0307050081-9005	COMPLETE FORK PAINTED TX/GX/FX 12/25-38	

POSITION	PART NUMBER	DESCRIPTION	NOTES
134	G010151	BEARING 6305 (25-62-17)	
135	S0207016006	SLIDING ROLL FORK TMC 10/16	
136	S0207018001	FORK ROLLER GUIDE GX/TX	
137	G019306	BEARING D70 (CSF.002)	
138	G019315	CONTRAST PLATE '01	
139	G019314 + G019315	DESCRIPTION N/A	
140	▲ G075050	PRAMAC CONTROLLER RF050H70-120A x GX 10	Attention: this item is valid for machines produced with serial number from 2000HG001436 until 2004HG000739 Interchangeable: NO
140	▲ G076024	ELECTRONIC BOARD CURTIS 1228-110A 24VxGX12 (CALIBRATED)	Attention: this item is valid for machines produced with serial number from 2004HG000740 Interchangeable: NO
140	▲ G076024	ELECTRONIC BOARD CURTIS 1228-110A 24VxGX12 (CALIBRATED)	Attention: this item is valid for machines produced with serial number from 1999HG000001 until 2000HG01435 Interchangeable: NO
141	G077201	RELAY 30A 24V CONTATTO A SCAMBIO	
142	G034903	CAGE NUT M8 ZN	
143	S0200038014	PLEXIGLASS GUARD TX-GX 12/25	
144	▲ P0CD00009	COMPLETE HARNESS KIT GX12 '03	Attention: this item is valid for machines produced with serial number from 2004HG000740 Interchangeable: NO
144	▲ S000045001	CABLAGGIO ELETTRICO GX 10-12 (PRAMAC)	Attention: this item is valid for machines produced with serial number from 2003HG001642 until 2004HG000739 Interchangeable: NO
144	▲ S0318028018	ELECTRIC WIRING CABLES GX 12 (CURTIS)	Attention: this item is valid for machines produced with serial number from 1999HG000001 until 2000HG001435 Interchangeable: NO
144	▲ S0318028013	ELECTRIC WIRING CABLES GX 10-12 (PRAMAC)	Attention: this item is valid for machines produced with serial number from 2000HG001436 until 2003HG001641 Interchangeable: NO
145	S0319060047	SECOND SPEED WIRING GX12	
146	▲ PTB00014	RECTIFIER CARD HIGH FREQUENCY 24V 11.5A CBHD1 CX14	Attention: this item is valid for machines produced with serial number from LLI0035913 Interchangeable: NO
146	▲ PTB00001	ELCTRONIC BOARD FOR OPEN BATTERY CHARGER CX PLUS/CX/GX10/TX12/ GX12	Attention: this item is valid for machines produced with serial number until LLI0035913 Interchangeable: NO

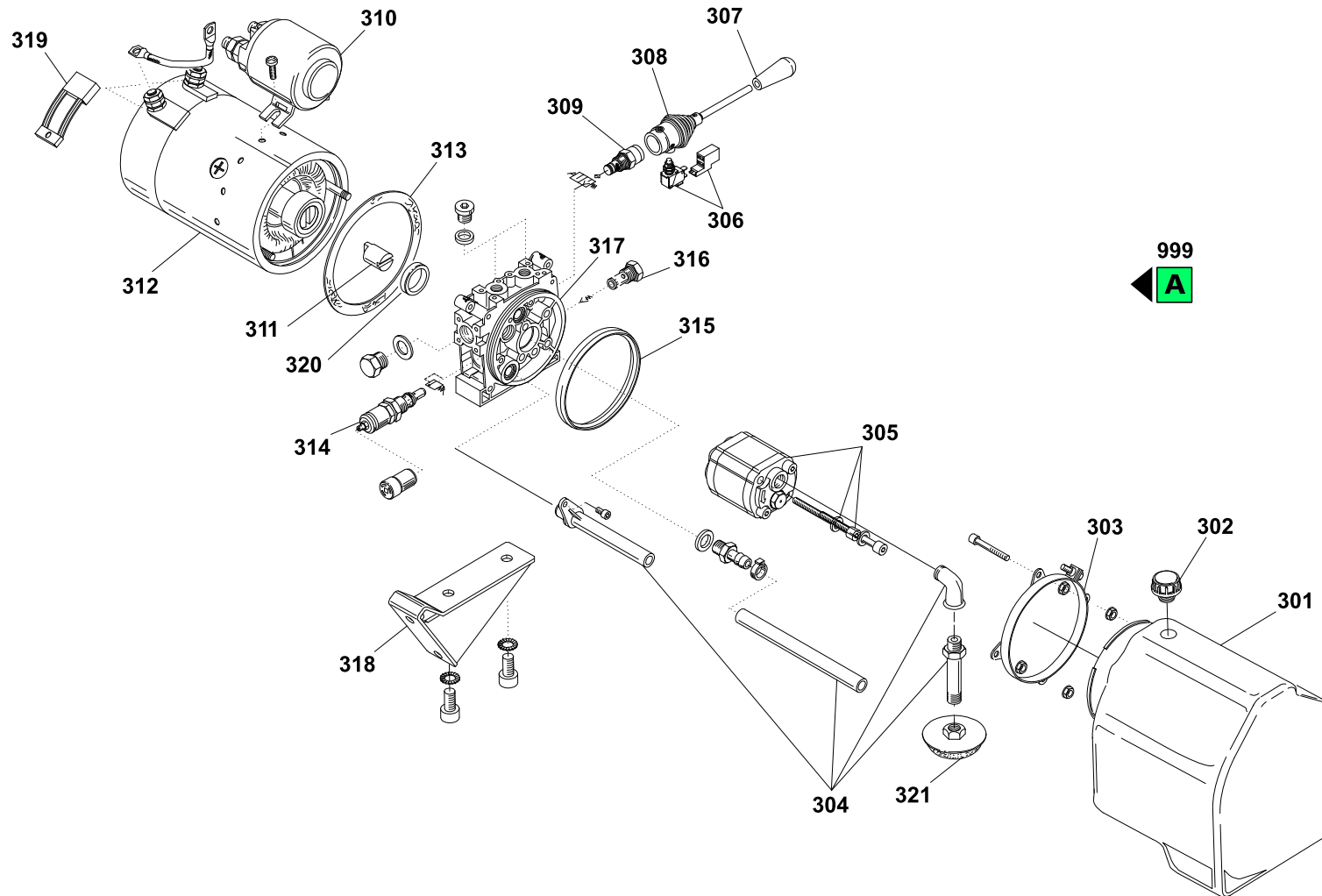


POSITION	PART NUMBER	DESCRIPTION	NOTES
201	V0205010067-9005	SECOND STAGE TX-GX 12/25 PAINTED	
202	S0307015015	SHORT CHAIN HOLDER TE-TM-L/VT ZINC PLATED	
202	S000045502	PETTINE CORTO X CARR. 12Q.li CATENA SINGOLA	
203	G062102	FLAYER CHAIN PIN BL546 D6x33	
204	S0300155003	CHAIN HOLDER STACKER 12Q SINGLE CHAIN	
205	S0306051022	CAST IRON PULLEY HOLDER TE-TM-L PAINTED	
206	S0206013003	COMPLETE CYLINDER FOR GX12/25 TMC10/25	
207	G090005	GASKET SET FX12/G10-16 20/GX12/L/LR/TE/TMC/TX12 OLD	
208	S0306041004	CYLINDER NUT RING TE/TM 10-12/29-36	
209	S000045033	COMPLETE CYLINDER '06 GX-TX12/25	
210	S0306056017	CYLINDER SUPPORT L.105 TE-TM	
211	S0306041008	PISTON TE/TM 10-12/29-36	
212	G062023	FLAYER CHAIN STUB BL544-105P	
213	G010401	BEARING 6204 2RS (20-47-14)	
214	S0300158042	MACHINED PULLEY (CAST IRON) FOR STACKER 12Q SINGLE CHAIN	
215	S0306015052	FREE LIFT PIN L10-L16	
216	S0306015036	FREE LIFT PIN SPACER TE-TM	
217	S0306012072	DOUBLE PULLEY HOLDER L16 PAINTED "1998"	
218	G019306	BEARING D70 (CSF.002)	
219	G019315	CONTRAST PLATE '01	
220	G019314 + G019315	DESCRIPTION N/A	
221	S0306055043	CAST IRON PULLEY PIN HOLDER BURNISHED	
222	G010403	BEARING 6005 2RS (25-47-12)	

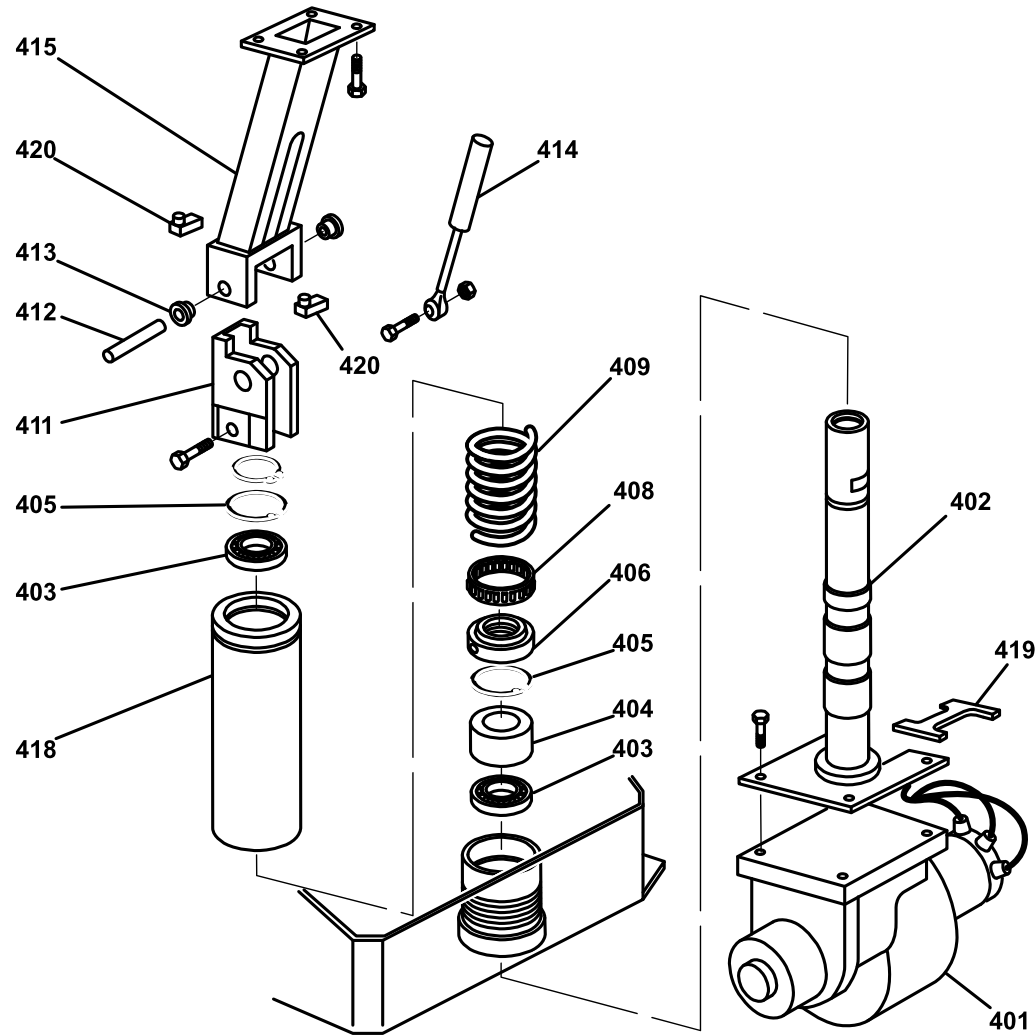


POSITION	PART NUMBER	DESCRIPTION	NOTES
301	G082195	BODY UP100 K1G3-06+OIL SEAL	
302	G082171	NON RETURN VALVE RS3/817-03	
303	G082107	RELIEF VALVE VM01 HDM10 T.95-210	
304	G082165	BODY GASKET SET UP100	
305	G082100	PUMP AP100/1.7 S.409+COP.748220020	
306	G082090	FILTER CONV.150 MICRON (757500070)	
307	G082196	GROUP A.H105L78-900 250M	
308	G082228	TANK UP100 P08,OR-BBT (673450200)	
309	G082099	LOADING CAP SF1/2G(HIDR.678000310)	
314	G082242	JOINT COMPLETEE145-E163	
315	G082230	ENGINE C240AK/Y0/D02P 024V 2.2	
316	G082127	COMPLETE RELAY 24V C.C. P.C-E-F-G (EF.)	
318	G082233	BRUSHES 24V	
319	G082223	MICROSWITCH FOR MANUAL COMMAND UP50-UP100	
320	G082224	VALVE ZR817/22-TVML + CAP	
324	G082227	TANK CLAMPING SET PL. UP100 6-14L.	
325	G082232 OUT OF PRODUCTION	DESCRIPTION N/A	
999	▲ G081021	HYDRAULIC UNIT 222353003 UP100 (TX12- GX10-12)	Attention: this item is valid for machines produced with serial number until 2003HG001641 Interchangeable: YES
999	▲ G081035	HYDRAULIC UNIT TX12-GX10/12 '06	Attention: this item is valid for machines produced Interchangeable: YES

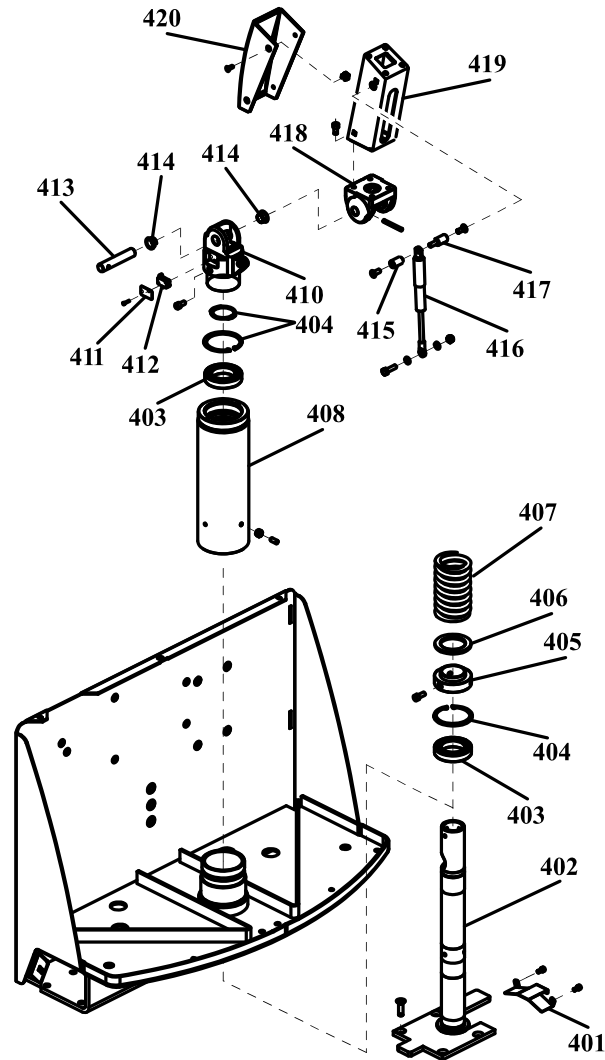




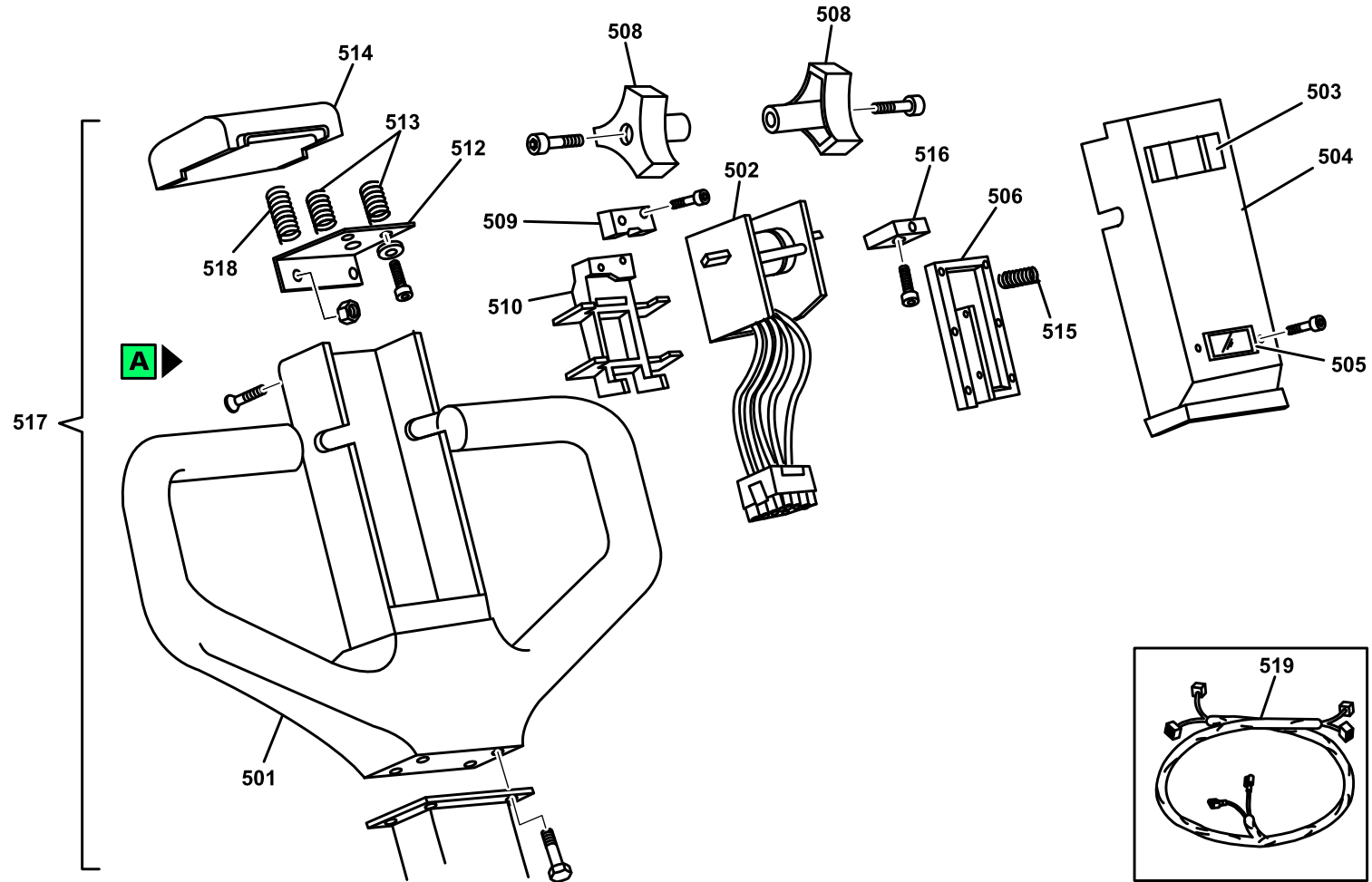
POSITION	PART NUMBER	DESCRIPTION	NOTES
301	PCY61214500	RESERVOIR BOTTLE	
302	PCY49154500	OIL CAP TANK TX HYDR-APP	
303	PCY25004800	BAND FOR HYDRAULIC UNIT H	
304	PCY12002	KIT TUBI TX HYDR-APP	
305	PCY00035	POMPA CENTRALINA	
306	PCY46109900	MICROSWITCH	
307	PCY49104600	POMELLO CENTRALINA HYDR-APP	
308	PCY25005800	HYDRAULIC POWER PACK COMPLETE LEVER	
309	PCY20023000	VALVOLA TX10/12	
310	G082127	COMPLETE RELAY 24V C.C. P.C-E-F-G (EF.)	
311	PCY60410600	GIUNTO A PENNA PER "MC" CON MOTORE ELETTRICO 2.05-2.2Kw E POMPE Gr.1	
312	PCY24011800	ELECTR. MOTOR "FU" 24Vcc 2,2kW S-T - MFT	
313	PCY61200100	GASKET FOR HYDRAULIC UNIT H	
314	PCY21000001	VALVOLA MAX 50-210 BAR	
315	PCY61212400	HYDRAULIC UNIT O-RING HX	
316	PCY20020400	HYDRAULIC UNIT RETENTION VALVE HX	
317	PCY71013005	CENTRAL FLANGE	
318	PCY17010067	FIXING TX	
319	PCY00004056	BRUSH KIT GX/10/12 TX12	
320	PCY60507900	SPACER FOR HYDRAULIC UNIT H	
321	PCY49122100	FILTER	
999	▲ G081029	CENTRAL S3010001.000 x TX12 - GX10/12	Attention: this item is valid for machines produced Interchangeable: YES
999	▲ G081035	HYDRAULIC UNIT TX12-GX10/12 '06	Attention: this item is valid for machines produced Interchangeable: YES



POSITION	PART NUMBER	DESCRIPTION	NOTES
401	▲ G074426	MOTOR WHEEL 700W 24V MAGN.PERM.x GX12	Attention: this item is valid for machines produced with serial number until 2002HG001773 Interchangeable: YES
402	S0313060047	MOTOR WHEEL SUPPORT GX 12 PAINTED	
403	G010214	BEARING 6010 2RS(50-80-16)	
404	S0303018002	MOTOR WHEEL SLIDING BUSHING L10	
405	G090021	STACKERS MOTOR WHEEL SEEGER KIT	
406	S0303016030	MOTOR WHEEL SHAFT WASHER L10	
408	S0313080057	COMPLETE MOTOR BEARING STACKER	
409	G001141	SPRING De78 F.11x185 P.22 x L10-L16-LVT	
411	P0KI00006	TILLER KIT L/K20	
412	S0304013027	HANDLE PIN GX-LX-K20 "BURNISHED"	
413	G016353	SELF-LUBRICATING BUSHING 20x28x35 L=20	
414	▲ P3ML00003	GAS SPRING 198.236.20	Attention: this item is valid for machines produced until 31/03/2004 Interchangeable: NO
414	▲ G001728	GAS SPRING GX AMA R20 Z10 LTA 255 mm 170 N	Attention: this item is valid for machines produced from 01/04/2004 Interchangeable: NO
415	S0304010142	HANDLE SUPPORT PAINTED "L"."K20"	
418	S0303010139	SPRING LOADER LX-GX ZINC PLATED	
419	S0303010153	MOTOR WHEEL WIRING BRACKET L10-L16	
420	G075004	MICROSWITCH FOR TOW BAR L10	

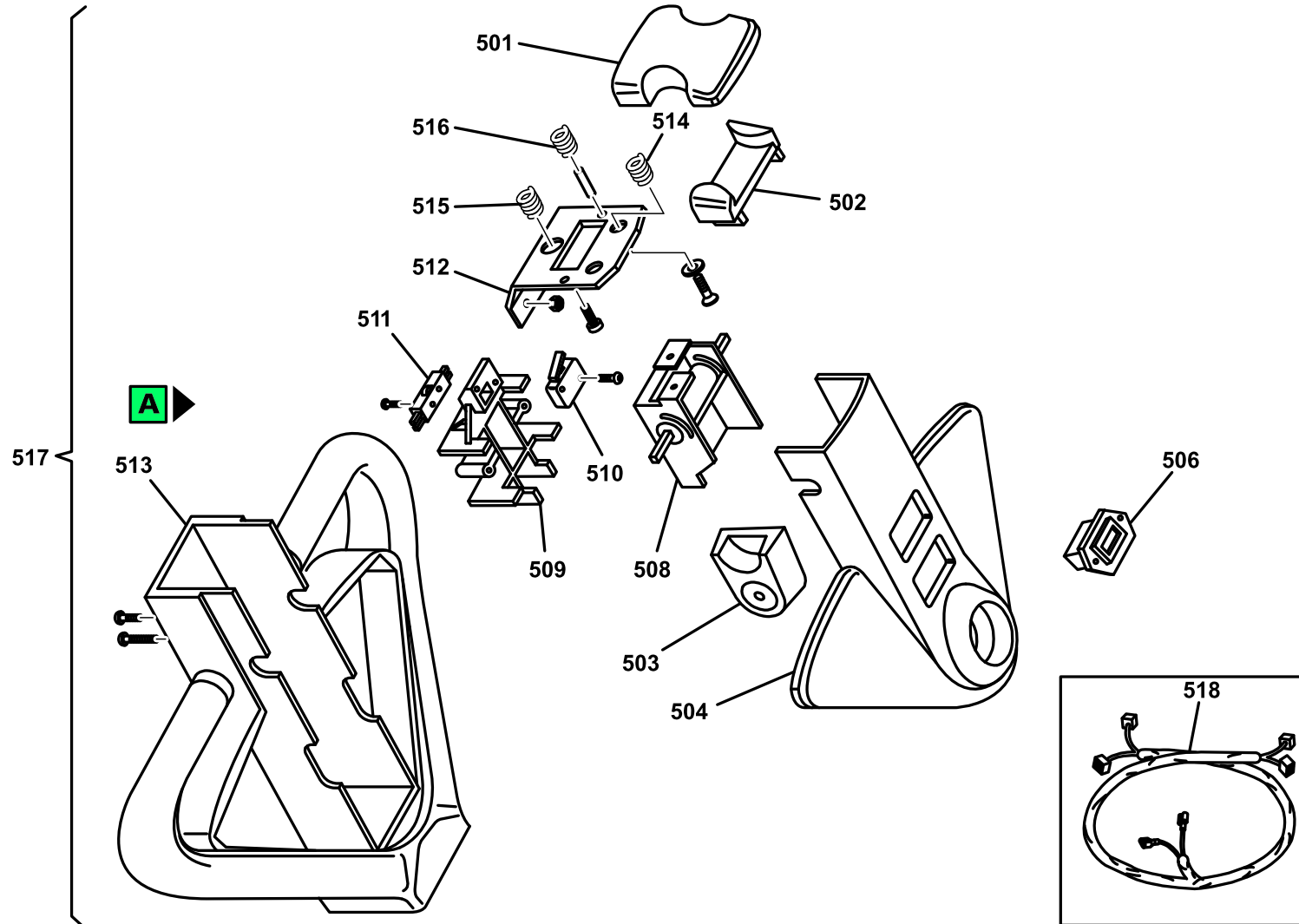


POSITION	PART NUMBER	DESCRIPTION	NOTES
401	S0303010153	MOTOR WHEEL WIRING BRACKET L10-L16	
402	S0313060047	MOTOR WHEEL SUPPORT GX 12 PAINTED	
403	G010214	BEARING 6010 2RS(50-80-16)	
404	G090021	STACKERS MOTOR WHEEL SEEGER KIT	
405	S0303016030	MOTOR WHEEL SHAFT WASHER L10	
406	S0313080057	COMPLETE MOTOR BEARING STACKER	
407	G001141	SPRING De78 F.11x185 P.22 x L10-L16-LVT	
408	S0303010139	SPRING LOADER LX-GX ZINC PLATED	
410	V000044101-90050	SUPPORTO TIMONE GX-LX '03 VERN	
411	G09416	TILLER SWITCH PROTECTION PLATE GX-LX '03	
412	G075004	MICROSWITCH FOR TOW BAR L10	
413	S000025501	TILLER PIN GX-LX '03 BURNISHED	
414	G016307	BOCCOLA FLANGIATA DU 18-20	
415	S000025503	TILLER SPACER GX-LX '03	
416	G001728	GAS SPRING GX AMA R20 Z10 LTA 255 mm 170 N	
417	S000025502	BURNISHED TILLER SCREW-NUT SPACER GX-LX '03	
418	V000044102-90050	TILLER BRACKET GX-LX '03 PAINTED	
419	V09415-9005	TILLER BOX GX-LX '03 PAINTED	
420	S000025901	COPERCHIO TIMONE GX-LX '03	

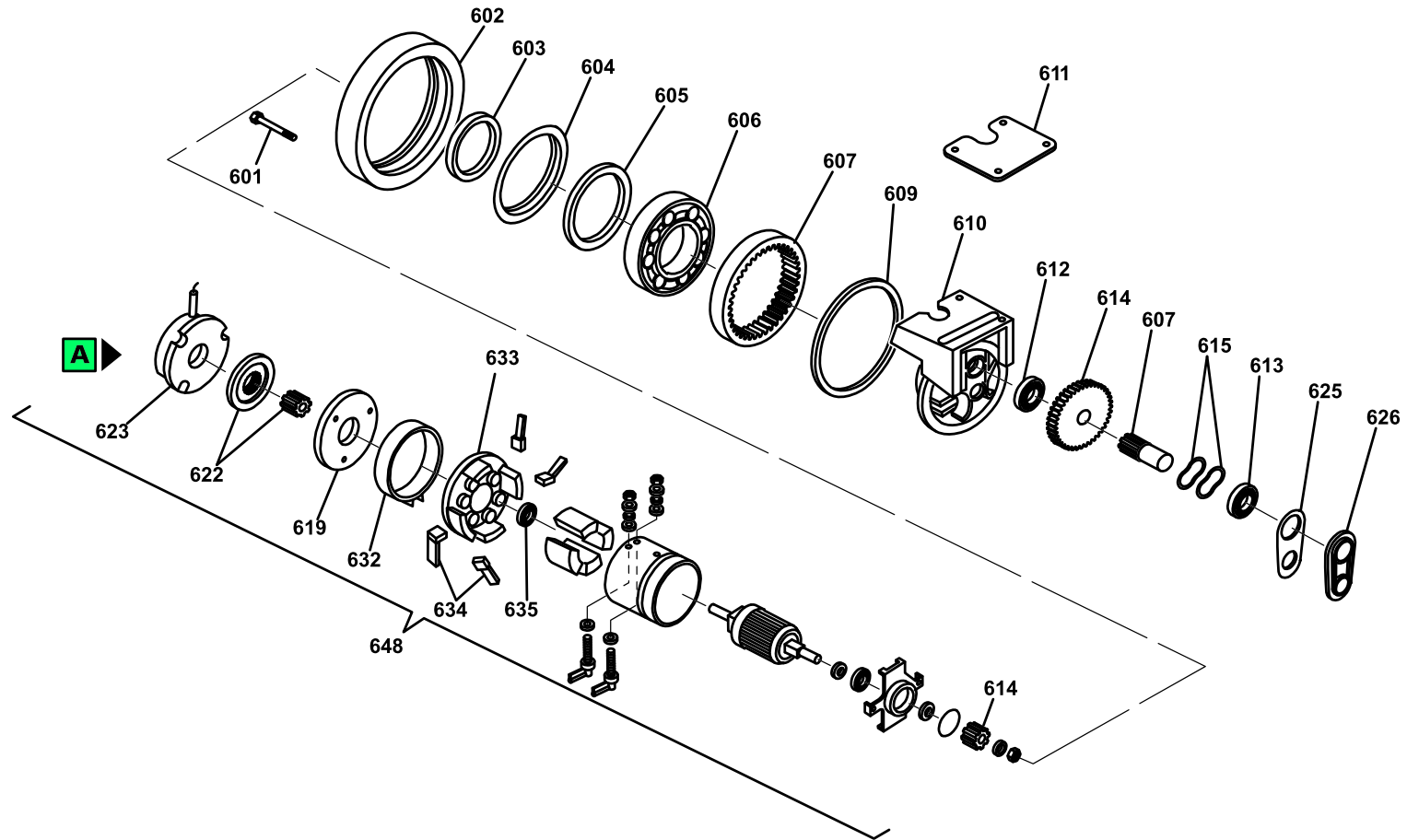



POSITION	PART NUMBER	DESCRIPTION	NOTES
501	S0304010208	COATED HANDLE (POLY) LK	
502	G077002	ELECTRONIC THROTTLE ET160	
503	S0304018020	HANDLE PUSHBUTTON SWITCH LK	
504	S0304018019	COVER LK x STACKERS	
505	G079005	BATTERY LEVEL GAUGE CURTIS	
506	S0304018022	HANDLE MICROSWITCH SUPPORT LK	
508	S0304018018	HANDLE BUTTERFLY LK	
509	G075016	MICROSWITCH 5A 250V	
510	S0304018021	HANDLE SUPPORT POTENTIOMETER LK	
512	S0304017011	HANDLE EMERGENCY SUPPORT PLATE LK	
513	G001132	SPRING De11 WIRE 1 - 4 TURNS L10 MOL/ZN	
514	S0304018017	HANDLE EMERGENCY LK	
515	G001131	SPRING De5,6 F0,5 - 10 TURNS L20 ZINC PLATED	
516	G075017	MICROSWITCH XG52-J21	
517	S0304150299	COMPLETE HANDLE LK GX12	
518	G001134	SPRING De12,3 F1 - 9 TURNS - L=24 ZINC PLATED	
519	S0319012001	CABLE TILLER L/G (CURTIS)	

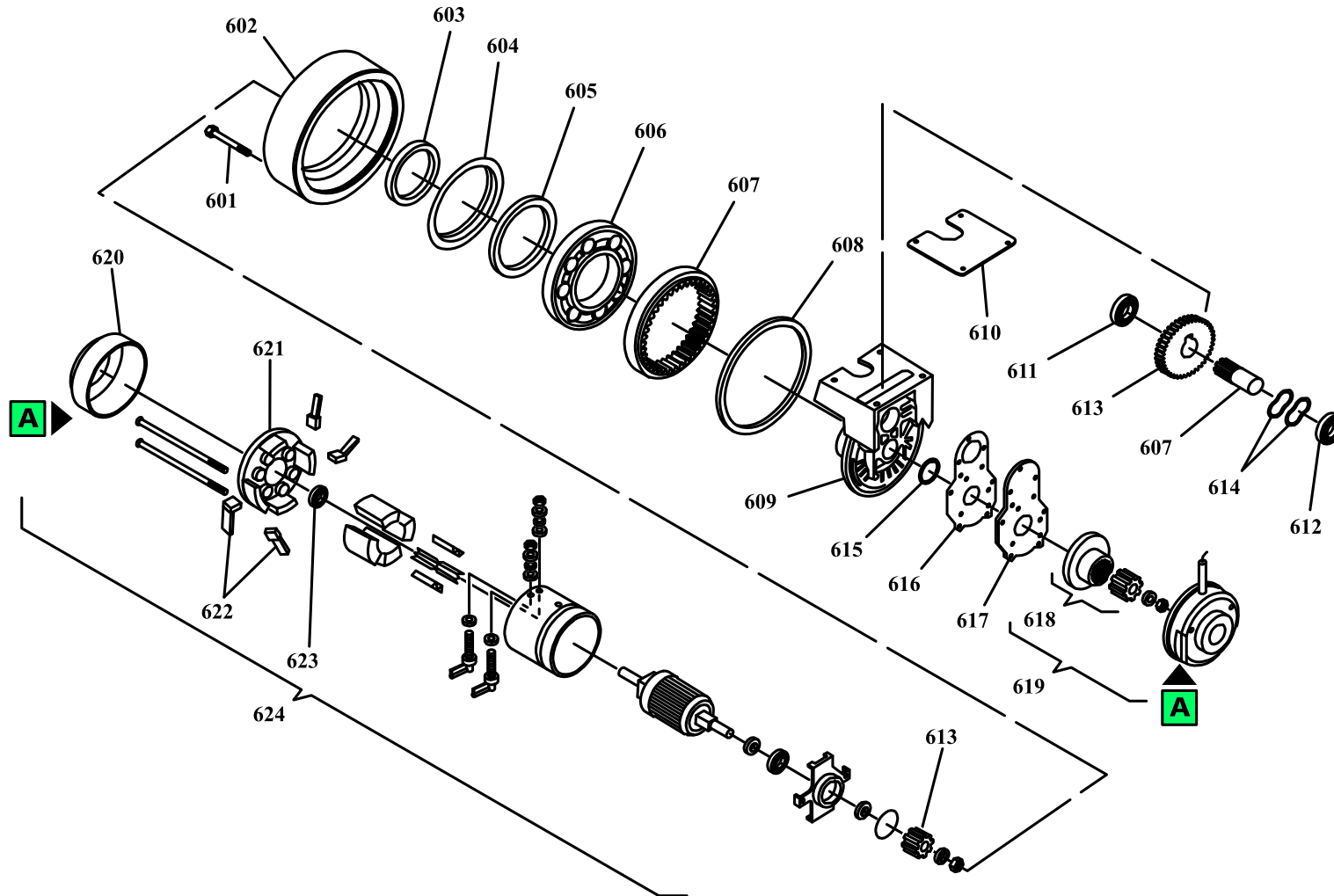




POSITION	PART NUMBER	DESCRIPTION	NOTES
501	S0304178033	HANDLE EMERGENCY '00	
502	S0304178032	HANDLE HORN ROCKER SWITCH '00	
503	S0304178031	HANDLE BUTTERFLY '00	
504	S0314108031	HANDLE COVER '00 GX STACKERS SERIES	
506	G079005	BATTERY LEVEL GAUGE CURTIS	
508	▲ G077007	ELECTRONIC THROTTLE GPH/HT3 x GX10 WIRED	Attention: this item is valid for machines produced with serial number until 2004HG000739 Interchangeable: NO
508	▲ G077002	ELECTRONIC THROTTLE ET160	Attention: this item is valid for machines produced with serial number from 2004HG000740 Interchangeable: NO
509	S0304178034	HANDLE POTENTIOMETER SUPPORT '00	
510	G075017	MICROSWITCH XG52-J21	
511	G075016	MICROSWITCH 5A 250V	
512	G07330	HANDLE EMERGENCY SUPPORT PLATE '00	
513	S0304178044	COATED HANDLE '00 (POLY)	
514	G001132	SPRING De11 WIRE 1 - 4 TURNS L10 MOL/ZN	
515	G001134	SPRING De12,3 F1 - 9 TURNS - L=24 ZINC PLATED	
516	G001131	SPRING De5,6 F0,5 - 10 TURNS L20 ZINC PLATED	
517	▲ S0314110065	HANDLE '00 COMPLETE STACKER GX	Attention: this item is valid for machines produced with serial number until 04/07/2006 Interchangeable: YES
517	▲ S000045005	COMPLETE TILLER '00 GX12	Attention: this item is valid for machines produced with serial number from 04/07/2006 Interchangeable: YES
518	▲ P0CD00015	ELECTRIC WIRING GX10/12 EDITION II	Attention: this item is valid for machines produced Interchangeable: NO
518	▲ S0319012001	CABLE TILLER L/G (CURTIS)	Attention: this item is valid for machines produced Interchangeable: NO



POSITION	PART NUMBER	DESCRIPTION	NOTES
601	G073242	SCREW WHEEL	
602	PLC13265S	RUBBER RING GX12-CX14-TE	
602	PLC13268S	ANELLO MOTORJOTA VULK. SCOLPITO TE/GX12/CX14	
602	G073330	MOTORWHEEL RUBBER RING ECO. 250x76 13270	
602	G073331	MOTOR WHEEL ADIPRENE RING TE96/CX14/GX12	
602	G073243	MOTOR WHEEL RUBBER RING TE96/CX14/GX12	
603	G073006	MOTOR WHEEL RING	
604	G073302	PROTECTION RING	
605	G073007	MOTOR WHEEL GASKET	
606	G073009	BEARING	
607	G073260	PINION +CROWN WHEEL	
609	G073245	MOTOR WHEEL GASKET	
610	G073246	MOTOR WHEEL CASTING	
611	G073011	MOTOR WHEEL GASKET	
612	G073247	BEARING	
613	G073026	BEARING 16006	
614	G073029	PINION + DRIVER WHEEL	
615	G073030	COMPENSATION RING	
619	G073016	BRAKE HOLDER PLATE	
622	G073066	BRAKE LINING +HUB	
623	G073036	ELECTRIC BRAKE K1 HOLE CIMA 24V	
625	G073013	GASKET	
626	G073014	COVER	
632	G073032	PADDLED CLAMP	
633	G073019	SLIP SUPPORT	
634	G073068	BRUSHES KIT MOTOR 24V	
635	G073249	SLIP BEARING 6201 2RSRC3	
648	G073209	PERMANENT MAGNET MOTOR.	
999	 G074426	MOTOR WHEEL 700W 24V MAGN.PERM.x GX12	Attention: this item is valid for machines produced with serial number until 2002HG001773 Interchangeable: NO



POSITION	PART NUMBER	DESCRIPTION	NOTES
601	G073242	SCREW WHEEL	
602	G073331	MOTOR WHEEL ADIPRENE RING TE96/CX14/GX12	
602	PLC13268S	ANELLO MOTORUOTA VULK. SCOLPITO TE/GX12/CX14	
602	G073330	MOTORWHEEL RUBBER RING ECO. 250x76 13270	
602	PLC13265S	RUBBER RING GX12-CX14-TE	
602	G073243	MOTOR WHEEL RUBBER RING TE96/CX14/GX12	
603	G073006	MOTOR WHEEL RING	
604	G073302	PROTECTION RING	
605	G073007	MOTOR WHEEL GASKET	
606	G073009	BEARING	
607	G073260	PINION +CROWN WHEEL	
608	G073245	MOTOR WHEEL GASKET	
609	G073246	MOTOR WHEEL CASTING	
610	G073011	MOTOR WHEEL GASKET	
611	G073247	BEARING	
612	G073026	BEARING 16006	
613	G073029	PINION + DRIVER WHEEL	
614	G073030	COMPENSATION RING	
615	PLC90117	PROTECTION RING	
616	PLC13912	MOTOR WHEEL GASKET CX14	
617	PLC13716	BRAKE HOLDER PLATE CX14	
618	G073066	BRAKE LINING +HUB	
619	G073036	ELECTRIC BRAKE K1 HOLE CIMA 24V	
620	PLC35105	MOTOR FAN PROTECTION CX14	
621	G073019	SLIP SUPPORT	
622	G073068	BRUSHES KIT MOTOR 24V	
623	G073249	SLIP BEARING 6201 2RSRC3	
624	PLC30294	CX 14 DRIVE MOTOR	
888	 G074431	MOTOR WHEEL 700W 24V PERMANENT MAGNET x CX14	Attention: this item is valid for machines produced with serial number from 2002HG001774 Interchangeable: NO