

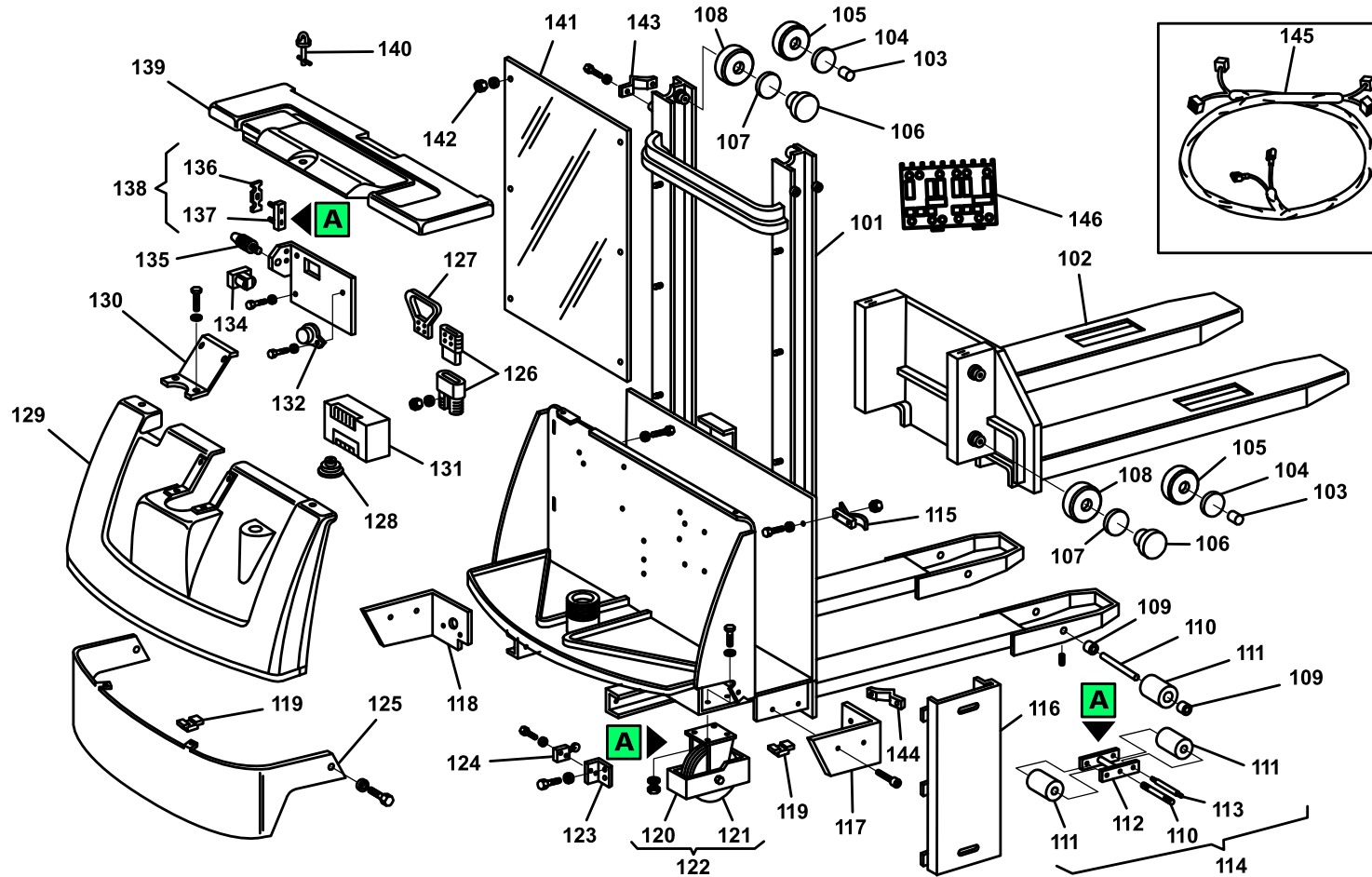
Spare Parts Catalogue

LX16-35

Stackers

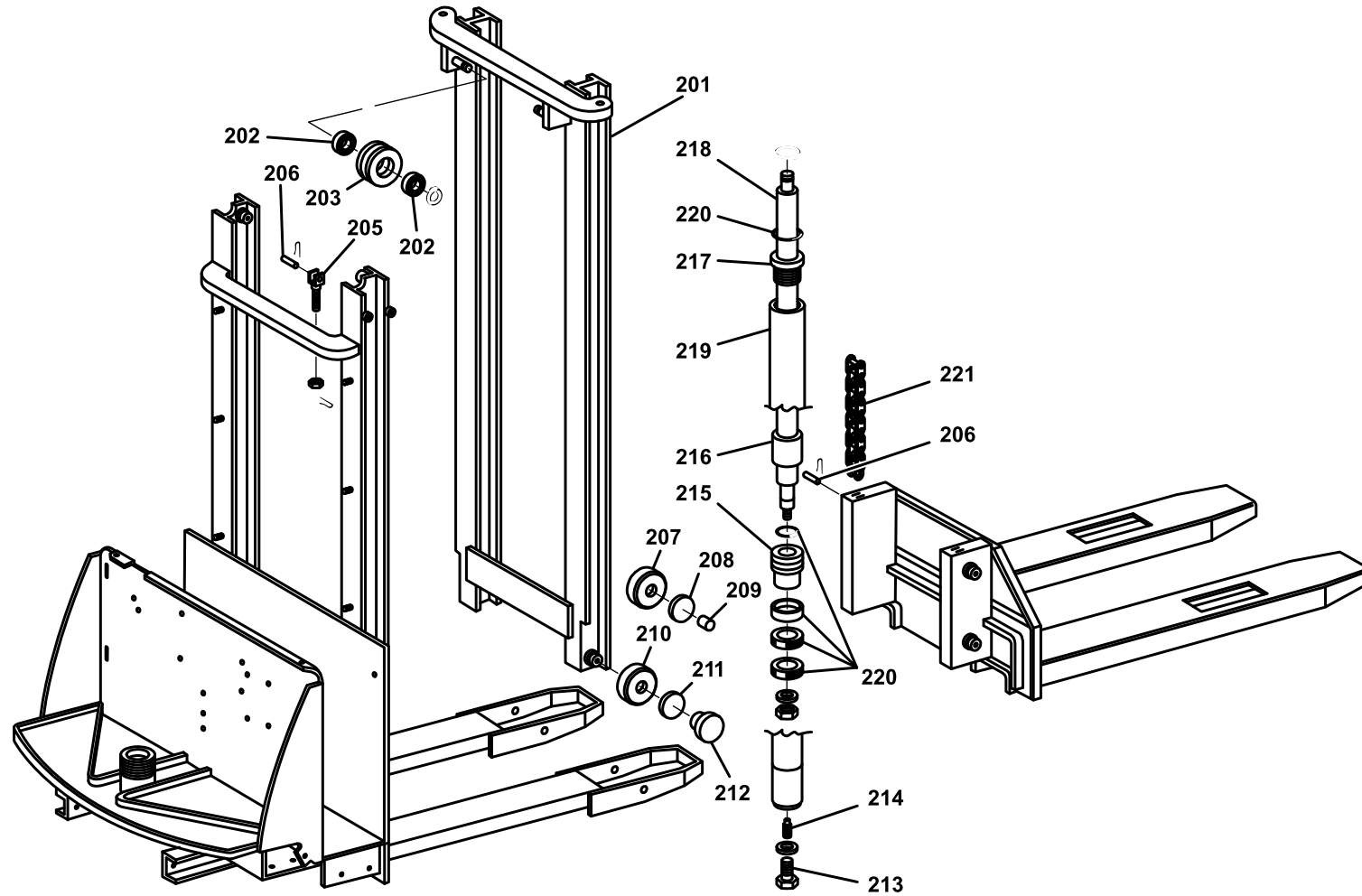
Valid for machine code: HD716000000



Revision: 0 (03/2007)

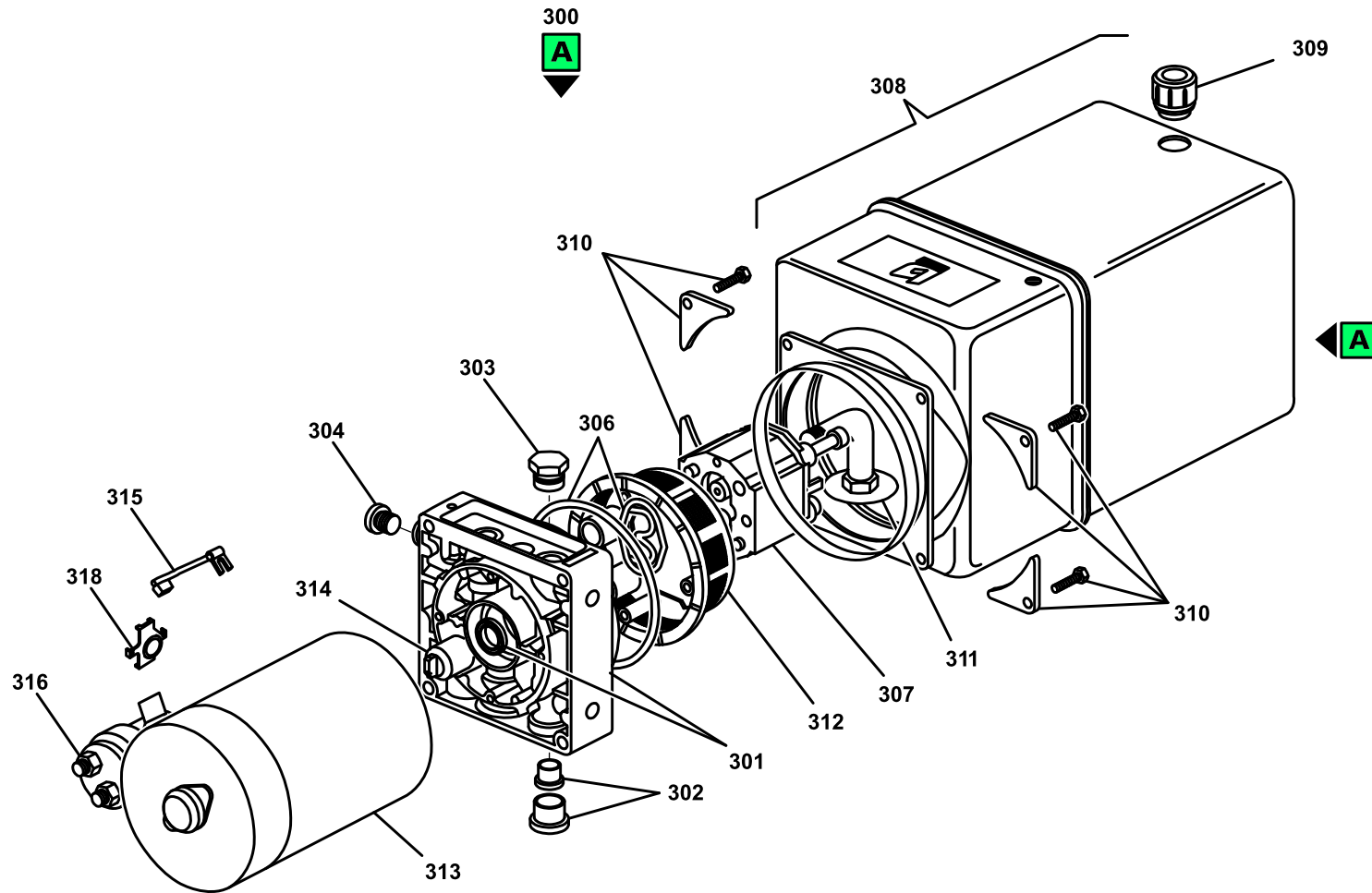


POSITION	PART NUMBER	DESCRIPTION	NOTES
101	V0301180352-PRAMAC	TELAIO LX 16/35 VERN.VERDE PRAMAC	
102	S0307180325	FORK LX 16/25-29-35 PAINTED	
103	G019304	ADJUSTABLE NYLON PAD FOR G019104	
104	G019305	ADJUSTABLE PAD DISC FOR G019104	
105	G019301	CYL. ROLLER BEARING D77.7 xG019104	
106	G019314 + G019315	DESCRIPTION N/A	
107	G019315	CONTRAST PLATE '01	
108	G019306	BEARING D70 (CSF.002)	
109	S0302016026	ROLLER SPACER SING.TX-GX (L.15) ZINC	
110	S0302015025	CLEVIS PIN TX/GX/LX "BURNISHED"	
111	S0302020117	POLYURETHANE ROLLER D82x70 + BEARING	
113	S0302015026	TANDEM PIN TE/TM/L10 (BURNISHED)	
114	S0302010006	COMPLETE ROLLER TANDEM POLYURETHANE L16 - L/VT	
115	G040010	LEVER HINGE ZINC PLATED WHITE	
116	V09349-PRAMAC	BATTERY COMPARTMENT SIDE PANEL LX12-16	
117	S0300177021	RIGHT SIDE PROTECTION LX 12-16 PAINTED	
118	S0300177020	LEFT SIDE PROTECTION LX 12-16 PAINTED	
119	G034903	CAGE NUT M8 ZN	
120	G018001	COMPLETE CASTOR WHEEL LX + PROTECTION	
121	G053345	POLYURETHANE/CAST IRON WHEEL Z125x50/50(S501183)	
122	G053335	POLYURETHANE/CAST IRON WHEEL Z125x50/50 C/C BOMB.	
123	G09353	SECOND SPEED MICROSWITCH SUPPORT LX12-16	
124	G075006	LIMIT SWITCH WITH ROLLER PIZZATO MKV11D15	
125	S0300179013	MOTOR WHEEL PROTECTION LX 12-16 PAINTED	
126	G071099	CONNECTOR 160A	
127	G071203	HANDLE AB 995 G3 (ANDERSON)	
128	G052002	RUBBER BELLOWS (FOR STACKERS)(0-RAB/010)	
129	S0300178046	HOOD LX	
130	V09348-PRAMAC	CLOSING CARTER COFANO LX12-16 GREEN PRAMAC	
131	G076000	CONTROLLER 1243-4224 (24V-200A) '08	
132	G075110	HORN 24V DC	
134	G079019	CONTACTOR ALBRIGHT SW80-65 24V CO	
135	G070625	FUSE HOLDER SCREW CAP + FUSE 6.3A	
136	G077540	FUSE 160A (RFM REGHEL)	
137	G070603	FUSE HOLDER x FUSE 160Amp	
138	G070626	FUSE HOLDER + FUSE 160Amp	

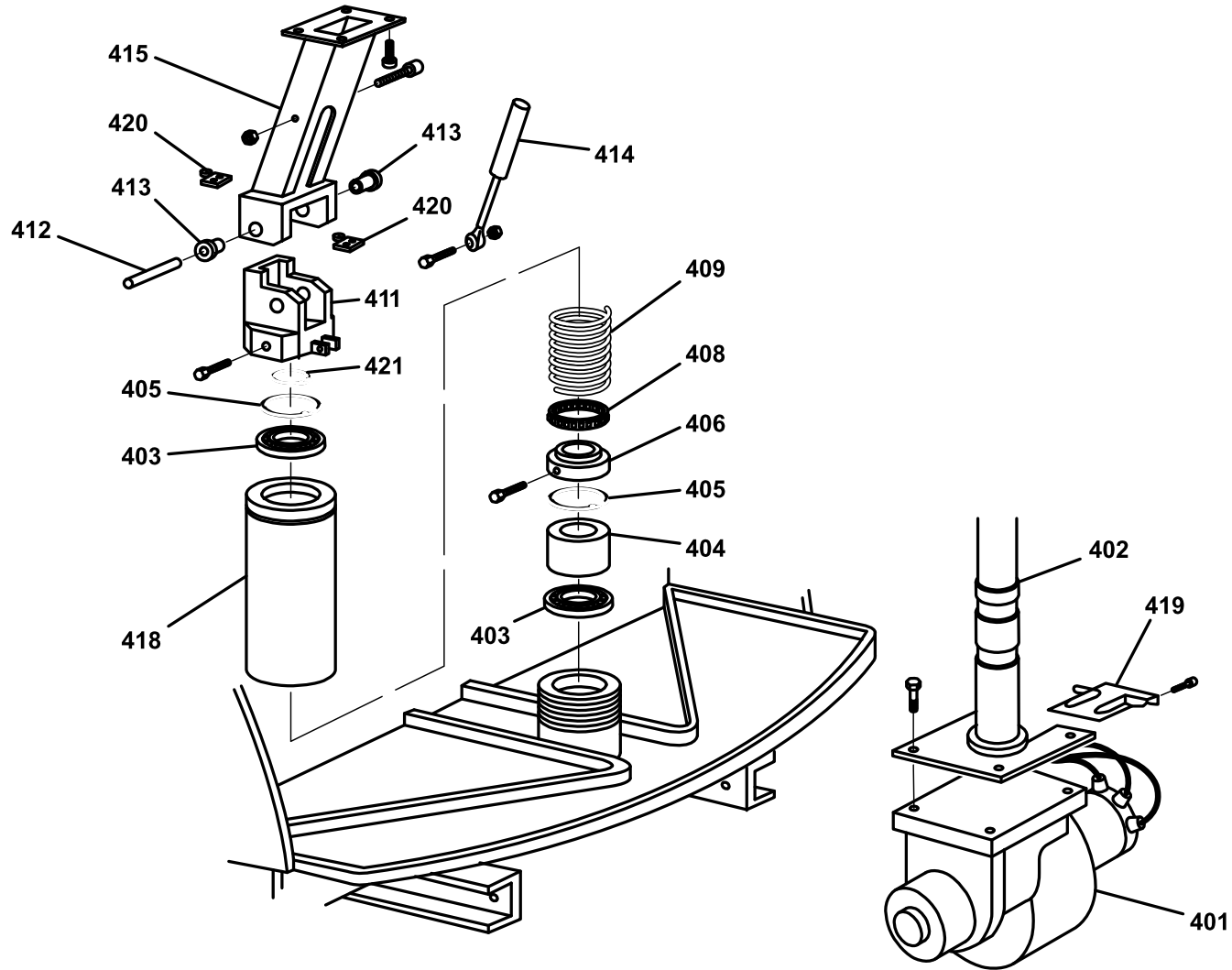
POSITION	PART NUMBER	DESCRIPTION	NOTES
139	S0300178047	BATTERY HOOD LX	
140	G040056+G040058+G040057	DESCRIPTION N/A	
141	S0300178051	PLEXIGLASS GUARD H=3500 LX	
142	G035001	BLIND NUT NYLON BLACK M8	
143	S0300187022	CYLINDER U-BOLT LX 16 PAINTED	
144	S0300187336	CYLINDER SCREW PROTECTION LX16 PAINTED	
145	▲ S0309170253	ELECTRIC WIRING LX	Attention: this item is valid for machines produced with serial number until 2004HL000229 Interchangeable: NO
145	▲ P0CD00006	KIT CAVI COMPLETO LX12/16 TIMONE 03	Attention: this item is valid for machines produced with serial number from 2004HL000230 Interchangeable: NO
146	PTB00006	SCHEDA RADDRIZZATORE	




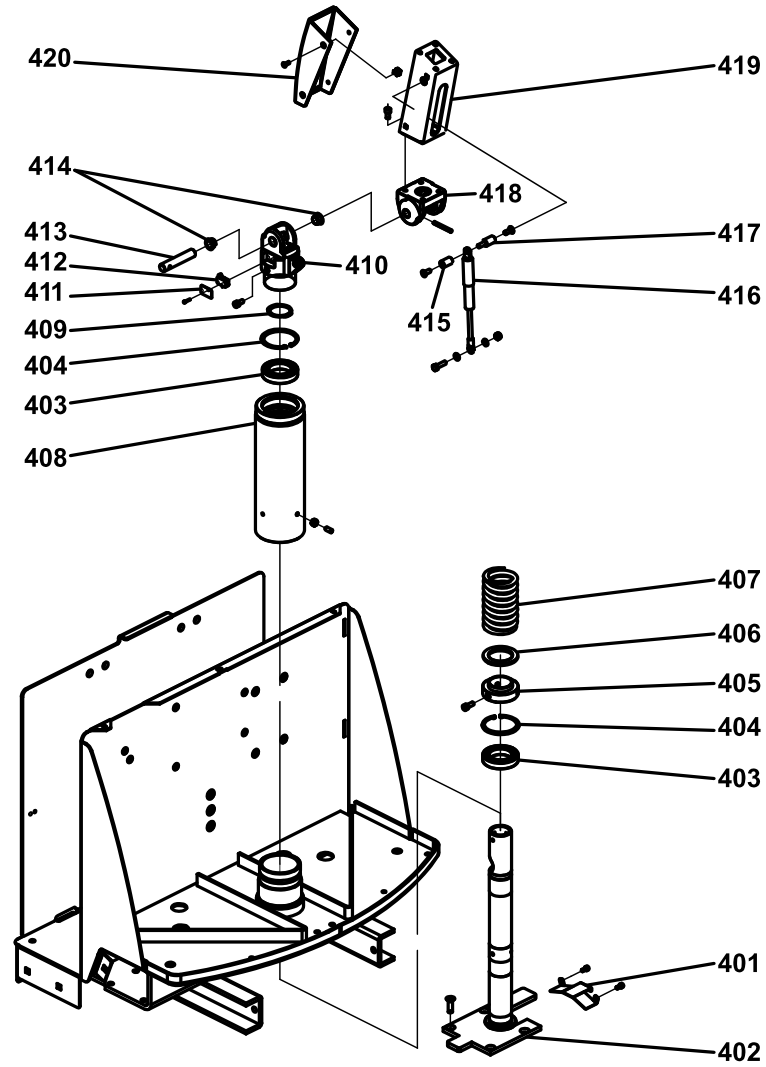
POSITION	PART NUMBER	DESCRIPTION	NOTES
201	V0305180344-9005	SECOND STAGE LX 16/35 PAINTED	
202	G010403	BEARING 6005 2RS (25-47-12)	
203	S0300176057	PULLEY MACHINED LX12-16/29-35 BURNISHED	
205	S0300185013	CHAIN HOLDER LX 12-14-16 ZINC PLATED	
206	G062104	FLAYER CHAIN PIN BL544 D6x29	
207	G019301	CYL. ROLLER BEARING D77.7 xG019104	
208	G019305	ADJUSTABLE PAD DISC FOR G019104	
209	G019304	ADJUSTABLE NYLON PAD FOR G019104	
210	G019306	BEARING D70 (CSF.002)	
211	G019315	CONTRAST PLATE '01	
212	G019314 + G019315	DESCRIPTION N/A	
213	G087007	MALE CAP 3/8 TME30/8 GAS	
214	G085005	VALVOLA VUBA 3/8" FORO 0.8 CILINDRO LX VUBA0600F08	
215	S0306181040	PISTON LX 16/25-29-35	
216	S0306186065	CYLINDER SPACER L.234 LX16/25-29-35	
217	 S0306181039	CYLINDER NUT RING LX 16/25-29-35	Attention: this item is valid for machines produced until 20/06/2008 Interchangeable: NO
217	 S000026403	CYLINDER NUT LX16/25-29-35 '08	Attention: this item is valid for machines produced from 20/06/2008 Interchangeable: NO
218	S0306185061	PISTON ROD LX 16/35	
219	S0306180346	COMPLETE CYLINDER LX 16/35 PAINTED	
220	GP90031	KIT CYLINDER JOINT LX16/25/29/35	
221	G062027	FLAYER CHAIN STUB BL534-123P	



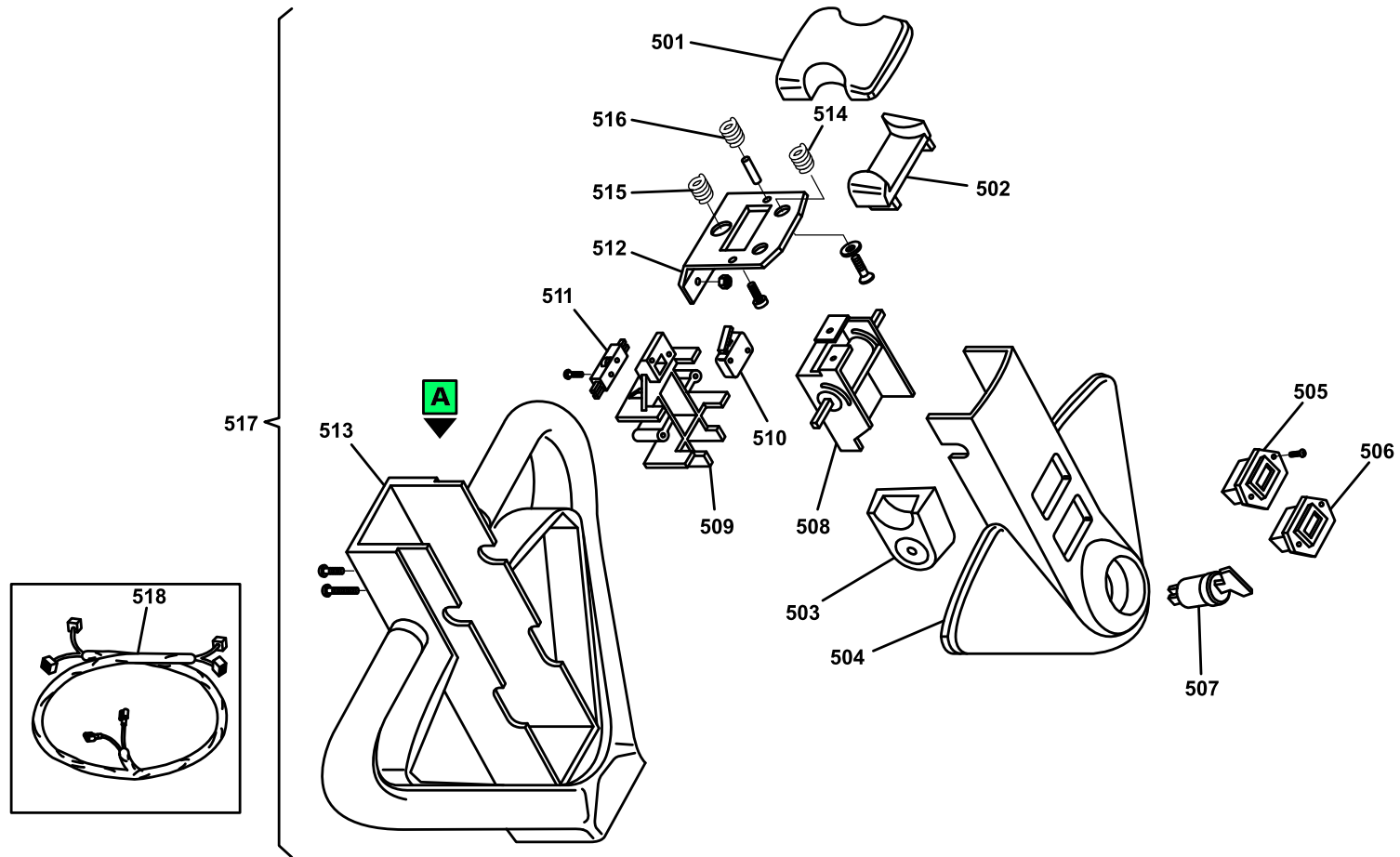
POSITION	PART NUMBER	DESCRIPTION	NOTES
300	G081022	HYDRAULIC UNIT 224253001 UP100 (LX12 - LX16)	
301	G082235	BODY UP100K35+OIL SEAL (200740420141)	
302	G082236	CAP 00VC00 MDM140 (200978400140)	
303	G082190	VALVE CAP T817/0(HIDR.778800040)	
304	G082237	CAP TCEI 1/4 (200527360201)	
306	G082165	BODY GASKET SET UP100	
307	G082168	PUMP AP100/3,5 S.409+COP.748240010	
308	G082239	TANK UP100 P08 (200973450160)	
309	G082240	CAP TP SF. 1/2" (200527060502)	
310	G082227	TANK CLAMPING SET PL. UP100 6-14L.	
311	G082241	SUCTION SET (200759900940)	
312	G082090	FILTER CONV.150 MICRON (757500070)	
313	PLH00004	ENGINE 24V 2.2Kw	
314	G082242	JOINT COMPLETEE145-E163	
315	G082147	New code PLH00004	
316	G082127	COMPLETE RELAY 24V C.C. P.C-E-F-G (EF.)	
318	PCI00004	DOOR BROOMS HYDRAULIC MOTOR	



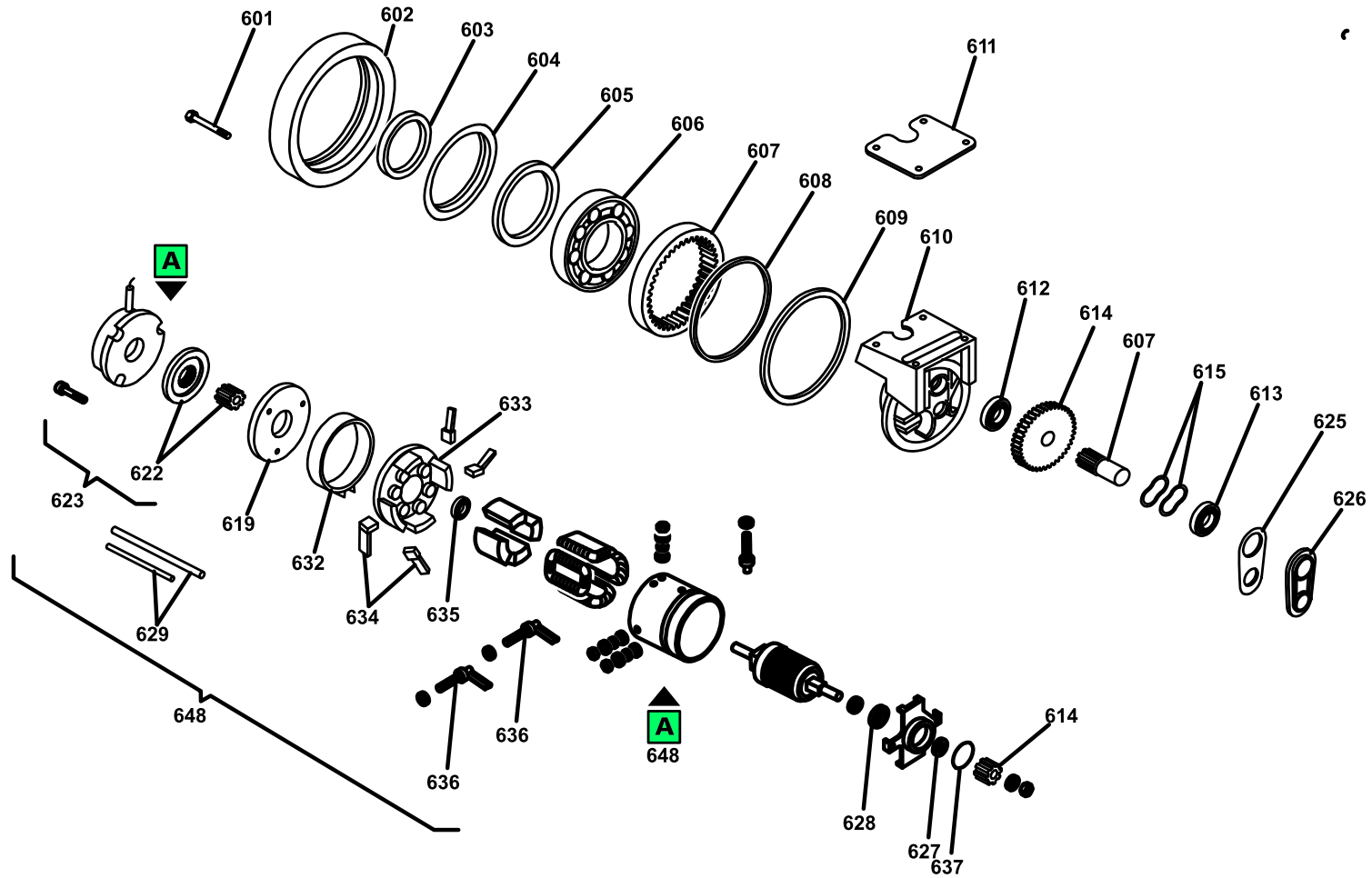
POSITION	PART NUMBER	DESCRIPTION	NOTES
401	G074428	MOTOR WHEEL SEPARATED EXCITATION 1.2KW LX16	
402	S0303180337	MOTOR WHEEL SUPPORT LX 16 PAINTED	
403	G010214	BEARING 6010 2RS(50-80-16)	
404	 S0303018002	MOTOR WHEEL SLIDING BUSHING L10	Attention: this item is valid for machines produced with serial number from 2003HL000541 Interchangeable: NO
405	G042280	INNER SEEGER 7436 I 80	
406	S0303016030	MOTOR WHEEL SHAFT WASHER L10	
408	S0313080057	COMPLETE MOTOR BEARING STACKER	
409	G001141	SPRING De78 F.11x185 P.22 x L10-L16-L/VT	
411	P0KI00006	TILLER KIT L/K20	
412	S0304013027	HANDLE PIN GX-LX-K20 "BURNISHED"	
413	G016353	SELF-LUBRICATING BUSHING 20x28x35 L=20	
414	G001728	GAS SPRING GX AMA R20 Z10 LTA 255 mm 170 N	
415	S0304010142	HANDLE SUPPORT PAINTED "L"- "K20"	
418	S0303010139	SPRING LOADER LX-GX ZINC PLATED	
419	S0303010153	MOTOR WHEEL WIRING BRACKET L10-L16	
420	G075004	MICROSWITCH FOR TOW BAR L10	
421	G042150	OUTER SEEGER 7435 E 50	



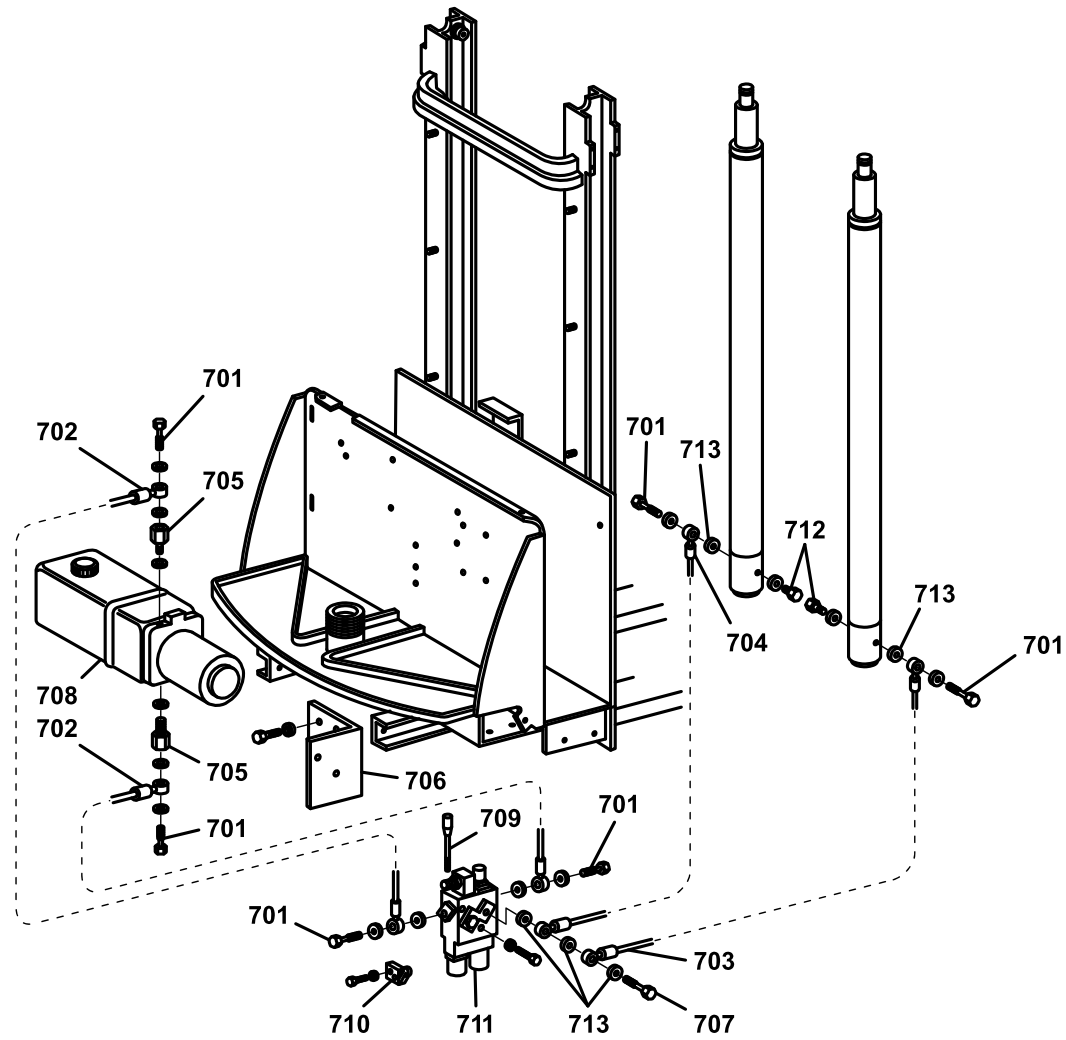
POSITION	PART NUMBER	DESCRIPTION	NOTES
401	S0303010153	MOTOR WHEEL WIRING BRACKET L10-L16	
402	S0303180337	MOTOR WHEEL SUPPORT LX 16 PAINTED	
403	G010214	BEARING 6010 2RS(50-80-16)	
404	G042280	INNER SEEGER 7436 I 80	
405	S0303016030	MOTOR WHEEL SHAFT WASHER L10	
406	S0313080057	COMPLETE MOTOR BEARING STACKER	
407	G001141	SPRING De78 F.11x185 P.22 x L10-L16-LVT	
408	S0303010139	SPRING LOADER LX-GX ZINC PLATED	
409	G042150	OUTER SEEGER 7435 E 50	
410	V000044101-90050	SUPPORTO TIMONE GX-LX '03 VERN	
411	G09416	TILLER SWITCH PROTECTION PLATE GX-LX '03	
412	G075004	MICROSWITCH FOR TOW BAR L10	
413	S000025501	TILLER PIN GX-LX '03 BURNISHED	
414	G016307	BOCCOLA FLANGIATA DU 18-20	
415	S000025503	TILLER SPACER GX-LX '03	
416	G001728	GAS SPRING GX AMA R20 Z10 LTA 255 mm 170 N	
417	S000025502	BURNISHED TILLER SCREW-NUT SPACER GX-LX '03	
418	V000044102-90050	TILLER BRACKET GX-LX '03 PAINTED	
419	V09415-9005	TILLER BOX GX-LX '03 PAINTED	
420	S000025901	COPERCHIO TIMONE GX-LX '03	



POSITION	PART NUMBER	DESCRIPTION	NOTES
501	S0304178033	HANDLE EMERGENCY '00	
502	S0304178032	HANDLE HORN ROCKER SWITCH '00	
503	S0304178031	HANDLE BUTTERFLY '00	
504	S0304178035	HANDLE COVER '00 x LX	
505	G079005	BATTERY LEVEL GAUGE CURTIS	
506	G079018	HOUR METER CURTIS	
507	G078058	KEY BLOCK RCH (RCH REGHEL)	
508	G077002	ELECTRONIC THROTTLE ET160	
509	S0304178034	HANDLE POTENTIOMETER SUPPORT '00	
510	G075017	MICROSWITCH XG52-J21	
511	G075016	MICROSWITCH 5A 250V	
512	G07330	HANDLE EMERGENCY SUPPORT PLATE '00	
513	S0304178044	COATED HANDLE '00 (POLY)	
514	G001132	SPRING De11 WIRE 1 - 4 TURNS L10 MOL/ZN	
515	G001134	SPRING De12,3 F1 - 9 TURNS - L=24 ZINC PLATED	
516	G001131	SPRING De5,6 F0,5 - 10 TURNS L20 ZINC PLATED	
517	▲ S0304190101	HANDLE '00 COMPLETE STACKER LX	Attention: this item is valid for machines produced from 26/11/2002 until 07/09/2006 Interchangeable: NO
517	▲ S000025026	TIMONIERA COMPLETA '05 FX - LX	Attention: this item is valid for machines produced from 07/09/2006 Interchangeable: NO
518	▲ S0319012001	CABLE TILLER L/G (CURTIS)	Attention: this item is valid for machines produced from 26/11/2002 until 07/09/2006 Interchangeable: NO
518	▲ P0CD00022	TILLER HARNESS '05 FX -LX	Attention: this item is valid for machines produced from 07/09/2006 Interchangeable: NO



POSITION	PART NUMBER	DESCRIPTION	NOTES
601	G073242	SCREW WHEEL	
602	G073301	RUBBER RING FOR MOTORWHEEL L16 NEW /LX16/LX14-45/LX14-45 A.L.	
602	G073311	MOTOR WHEEL ADIPRENE RING L16 NEW	
602	G073329	MOTOR WHEEL ECOLOGIC RUBBER RING L16 NEW	
603	G073006	MOTOR WHEEL RING	
604	G073302	PROTECTION RING	
605	G073303	New code G073302	
606	G073009	BEARING	
607	G073304	RETURN PINION + RING GEAR 8 HOLES	
608	G073305	O-RING FOR CROWN WHEL	
609	G073306	MOTOR WHEEL GASKET	
610	G073307	MOTOR WHEEL CASTING	
611	G073011	MOTOR WHEEL GASKET	
612	G073247	BEARING	
613	G073026	BEARING 16006	
614	G073029	PINION + DRIVER WHEEL	
615	G073030	COMPENSATION RING	
619	G073089	BRAKE HOLDER PLATE	
622	G073308	BRAKE LINING + HUB	
623	G073091	ELECTRIC BRAKE 24V D100 B3139/15p 5 HOLE 11mm.	
625	G073013	GASKET	
626	G073014	COVER	
629	G073067	TENSION ROD+TUBE	
632	G073032	PADDLED CLAMP	
633	G073019	SLIP SUPPORT	
634	G073068	BRUSHES KIT MOTOR 24V	
635	G073249	SLIP BEARING 6201 2RSRC3	
648	G073339	COMPLETE MOTOR LX16	



POSITION	PART NUMBER	DESCRIPTION	NOTES
701	G084001	SCREW PERFORATE (4 HOLES) 3/8" L 29 -0,5/0 CH22	
702	G083013	TUBE R1AT 3/8"	
703	G083002	TUBO EN853 2SN 3/8" L=880 OCCHIO 3/8" - OCCHIO 3/8" - H OCCHIO 17,5+/-0,2 FORO 3/8	
704	G083012	TUBE R1AT 3/8"	
705	G084112	ADAPTER MALE 1/4 FEMALE 3/8	
706	S0300177019	DISTRIBUTOR CONNECTION LX 12-16 PAINTED	
707	G084002	SCREW PERFORATE DOUBLE (8 HOLES) 3/8" L 49 -0,5/0 CH22	
708	G081022	HYDRAULIC UNIT 224253001 UP100 (LX12 - LX16)	
709	G085004	LEVER STICK AL001 HDM10 M08X125	
710	G075004	MICROSWITCH FOR TOW BAR L10	
711	G085008	DISTRIBUTOR HDM140K02 151/MOD.1/429Z3+VALVOLA	
712	G087007	MALE CAP 3/8 TME30/8 GAS	
713	G096109	RUBBER-METAL WASHER RGM 3/8"	