

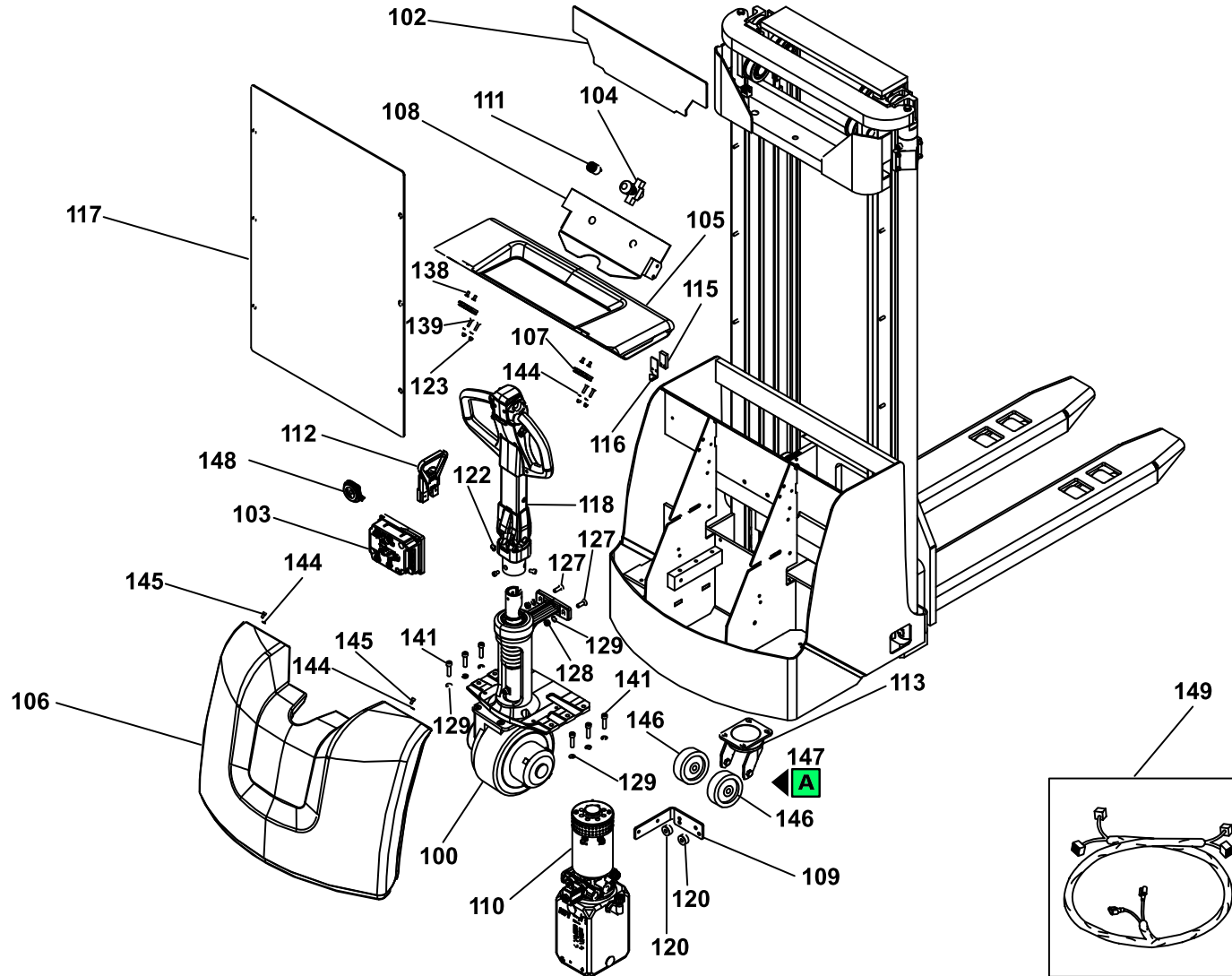
## Spare Parts Catalogue

# LX14-50 FL II EDITION

### Stackers

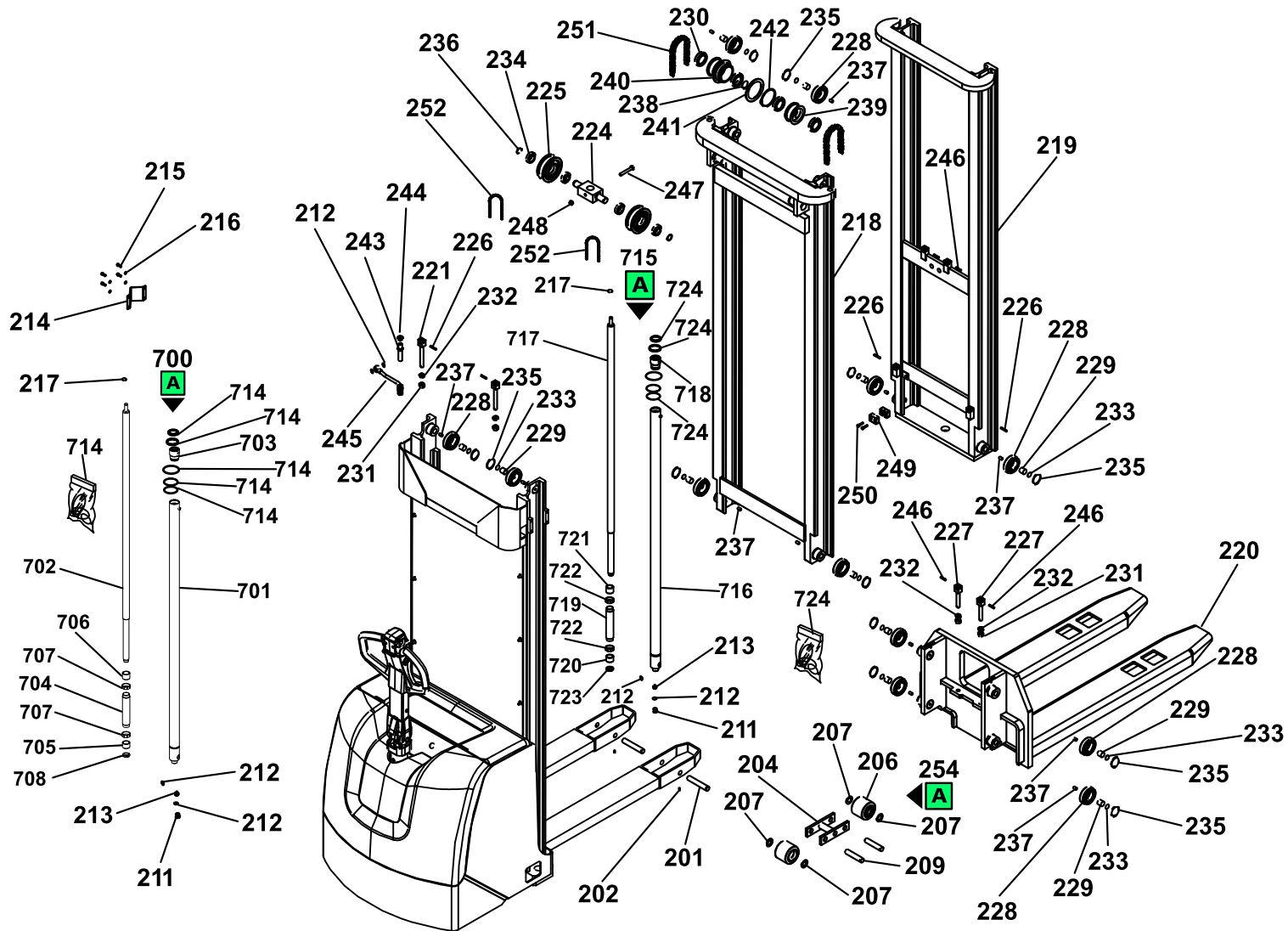
Valid for machine code: HLF14030000

Revision: 0 (11/2014)



POSITION	PART NUMBER	DESCRIPTION	NOTES
100	G074461	DRIVE WHEEL AC 1.2kW Ø250x101 LX14-16	
100	G074414	DRIVE WHEEL AC 1.2kW Ø250x101 POLYURETHANE LX14-16	
102	S000028910	MASTS PROTECTION SCREEN '14 LX	
103	G076930	CONTROLLER ZAPI COMBIACX 24V - 165A	
104	G071204	BATTERY BREAKER PUSH BUTTON 150A	
105	S000028900	BATTERY COVER LX '13	
106	S000028901	FRAME COVER LX '13	
107	G040409	BLACK PAINTED ZAMAK HINGE 50x76 WITH HOLES CL214-2	
108	V08239-PRAMAC	PAINTED CONTROL PANEL LX	
109	G08244	POWER PACK BRACKET LX	
110	G081041	CENTRALINA IDRAULICA 3,2kW - 3 cc/rev - VALVOLA PROPORZIONALE COMPENSATA - SERBATOIO 6l -MONTAGGIO VERTICALE - LX 14-16	
111	G040007	FREI KEYSWITCH - ref.rif.3106-00501-00	
112	G071099	CONNECTOR 160A	
113	G053408	WHEEL SUPPORT art. 040230 SRP/EEG 100 MHD DISASS.38 Z/B	
114	G08243	BATTERY HOLDING PLATE LX	
115	S000023018	WIRED PROXIMITY SENSOR '14 LX	
116	G08242	FORKS HEIGHT SENSOR MONTAGGIO PLATE LX	
117	S000028908	PROTECTION SCREEN '14 LX16/35 - LX14/50	
119	G070416	COLLARE FERMATUBO PG.25	
120	G052929	1 METAL WASHER 30x15 HOLE 11 - GOMMA INDUSTRIALE AROND1MET1D30	
122	G020714	SOCKET HEAD CAP SCREW TCEI 5931-67 8.8 M8x12 BLACK ZINC COATING (DIN 912)	
123	G034306	SELF-LOCKING NUT 7473 M 6 ZN	
127	G022806	SCREW TSPE 5933 10.9 M10x30 ZN	
128	G032303	STANDARD NUT 5588 65 CL8 M10 ZN	
129	G041105	GROWER WASHER 1751 52 D10 ZN	
130	G022115	ALLEN SCREW 5931-67 8.8 M8x30 ZN	
131	G034401	LOW-PROFILE SELF-LOCKING NUT 7474 M 8 ZN	
132	G032308	NUT 5588 65 CL8 M 8 ZN	
133	G041901	PLAIN WASHER 6592 8.4x16 ZN	
138	G022805	SCREW TSPE 5933 8.8 M6x16 ZN	
139	G022714	VITE TSPE 5933 8.8 M6X25 ZN	
141	G022141	SCREW TCEI 5931-67 8.8 M10x40 ZN	
144	G041903	PLAIN WASHER 6592 6.4x12.5 ZN	
145	G020640	SCREW TCEI 5931-67 8.8 M6x12 ZINC PLATED	
146	G053407	WHEEL art. 642152 serie 64 100X38 C/C F.15 L.M.40	
147	G053404	RUOTA PIVOTTANTE POLY.C GHISA Ø100x38 GEMELLATA OFFSET 38	

POSITION	PART NUMBER	DESCRIPTION	NOTES
148	G075110	HORN 24V DC	
149	P0CD00052	Cablaggio completo LX14-46 (II Ed.)	

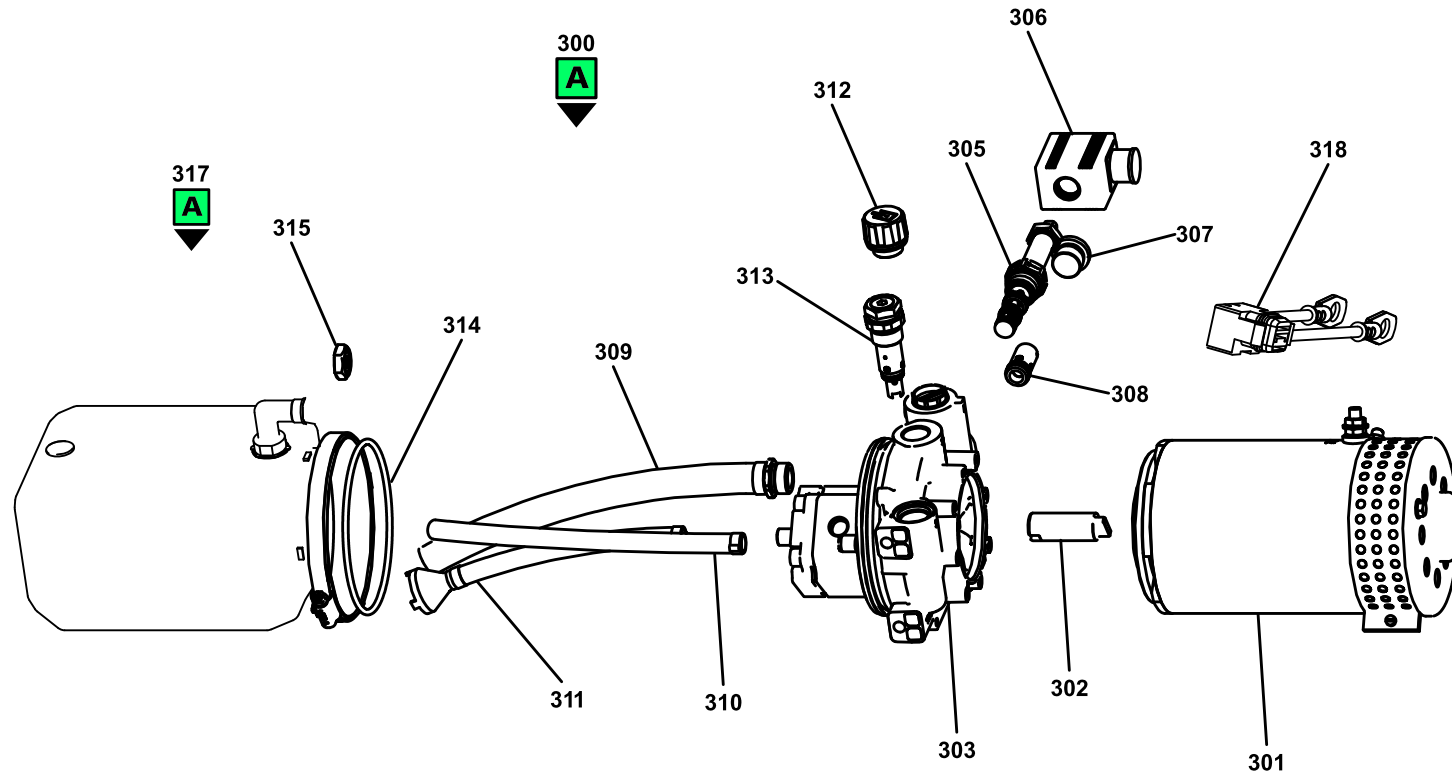


POSITION	PART NUMBER	DESCRIPTION	NOTES
201	S0302015025	CLEVIS PIN TX/GX/LX "BURNISHED"	
202	G022312	SOCKET SET SCREW 5925 12.9 M5x12	
203	S0302010006	COMPLETE ROLLER TANDEM POLYURETHANE L16 - LVT	
205	G010401	BEARING 6204 2RS (20-47-14)	
206	S0302020117	POLYURETHANE ROLLER D82x70 + BEARING	
207	G041822	PLAIN WASHER 21x36x2 ZN	
208	G023211	SCREW STEI 5925 12.9 M6x12	
209	S0302015026	TANDEM PIN TE/TM/L10 (BURNISHED)	
211	G087008	MALE CAP DIN 908 GAS TMT 3/8"	
212	G096103	ALUMINIUM WASHER 3/8" SPACER 2mm	
213	G085005	VALVOLA VUBA 3/8" FORO 0.8 CILINDRO LX VUBA0600F08	
214	S0300199017	CYLINDER U-BOLT LX14/45 PAINTED	
215	G022111	ALLEN SCREW 5931-67 8.8 M6x10 ZN	
216	G041903	PLAIN WASHER 6592 6.4x12.5 ZN	
217	G042118	OUTER SEEGER 7435 E 18	
218	V000024013-9005	PAINTED 2nd STAGE LX14/50 '14 FREE LIFT	
219	V000024016-9005	PAINTED 3rd STAGE LX14/50 '14 FREE LIFT	
220	V000028013-9005	PAINTED FORK '14 LX14	
221	S000028080	TERMINAL CHAIN FLEYER BL544 '14	
223	G022817	VITE TSPE 5933 8.8 M8x25 ZN	
224	S000027501	PORTA PULEGGIA DOPPIO LX 14/45 ALZATA LIBERA	
225	S0300158042	MACHINED PULLEY (CAST IRON) FOR STACKER 12Q SINGLE CHAIN	
226	G062102	FLAYER CHAIN PIN BL546 D6x33	
227	S0300185013	CHAIN HOLDER LX 12-14-16 ZINC PLATED	
228	G019301	CYL. ROLLER BEARING D77.7 xG019104	
229	G019304	ADJUSTABLE NYLON PAD FOR G019104	
230	G010407	BEARING 6007 2RS (35-62-14)	
231	G032304	STANDARD NUT 5588 65 CL8 M14 ZN	
232	G033130	LOW-PROFILE NUT 5589 65 CL8 M14 ZN	
233	G019305	ADJUSTABLE PAD DISC FOR G019104	
234	G010403	BEARING 6005 2RS (25-47-12)	
235	G042145	OUTER SEEGER 7435 E 45	
236	G042125	OUTER SEEGER 7435 E 25	
237	G022416	VITE STEI 5923 12.9 M10x16 ZN	
238	G042135	SEEGER ESTERNO 7435 E 35	
239	S0305194041	PULLEY LX14/45 BURNISHED	

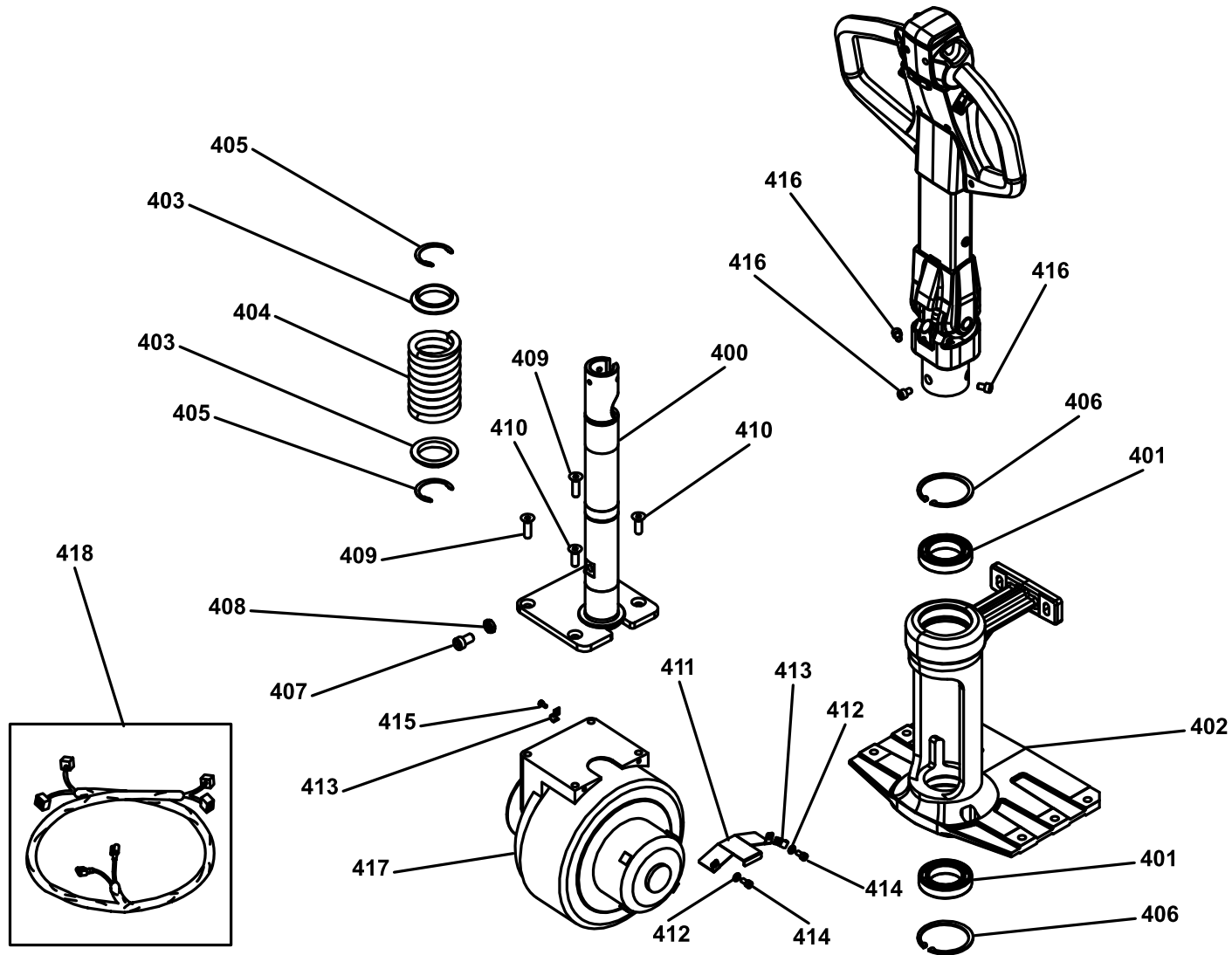
POSITION	PART NUMBER	DESCRIPTION	NOTES
240	S000024027	CHAIN + FREE LIFT OIL PIPE PULLEY	
241	G08278	FREE LIFT PULLEY CLOSING RING	
242	G042108	EXTERNAL SEEGER RING D80	
243	G08279	STRAIGHT BULKHEAD FITTING M18x1.5	
244	G071610	BULKHEAD LOCKNUT M18x1,5	
245	S000028075	STEEL TUBE SIDE CYLINDER-BULKHEAD LX FREE LIFT	
246	G062104	FLAYER CHAIN PIN BL544 D6x29	
247	G022027	HEXAGONAL SCREW 8.8 DIN 933 M10 X 70 ZN	
248	G034415	LOW NUT SELFLOCK 7474 M10 ZN	
249	G070426	HALF TUBE COLLAR POLYPROPYLENE Ø12.7 SINGLE TUBE 2 SCREWS	
250	G022130	VITE TCEI 5931-67 8.8 M6x25 ZN	
251	G062041	FLAYER CHAIN BL544-125P	
252	G062078	FLAYER CHAIN STUB BL534-87P	
253	G084001	SCREW PERFORATE (4 HOLES ) 3/8" L 29 -0,5/0 CH22	
254	S0302010006	COMPLETE ROLLER TANDEM POLYURETHANE L16 - LVT	
255	G083088	HYDRAULIC TUBE EN857 1SC 3/8" L=380 mm STRAIGHT QUICK CONNECTION FITTING CEJN WEO 3/8"+ FEMALE COUPLING WITH MALE THREAD 3/8" - 90° ELBOW SWIVEL FEMALE 3/8	
256	G083006	HYDRAULIC HOSE EN857 1SC 1/2 L=220 mm BANJO 1/2" - SWIVELING NUT 3/8"	
257	S000024601	HYDRAULIC TUBE EN857 1SC 5/16" L=2330 mm BANJO 3/8"-SWIVEL FEMALE 12L - M18x1,5	
260	G044109	COPIGLIA D 2,5x30	
261	G044119	SPLIT PIN D 1,5x10	
700	S000028942	LATERAL CYLINDER LX14/50 '14 FREE LIFT	
701	S000024030	WELDED SIDE CYLINDER LX14/50 FL '14	
702	S000028619	SIDE CYLINDER ROD LX14/50 FL '14	
703	G08292	SIDE CYLINDER BUSH LX14 FL-LX16 '14	
704	G08295	GUIDE RINGS HOLDER SIDE CYLINDER LX14 FL-LX16 '14	
705	G08300	SIDE CYLINDER SPACER L=30 LX14 FL '14	
706	G08300	SIDE CYLINDER SPACER L=30 LX14 FL '14	
707	G099004	SPLIT CYLINDER GUIDE RING FSP 45-35-12	
708	G099007	SELF LOCKING FERRULE GUK M25x1.5	
714	GP90050	GASKET LX16-LX14 FREE LIFT - LATERAL CIL.	
715	S000028945	CENTRAL CYLINDER LX14/50 '14 FREE LIFT	
716	S000024033	WELDED CENTRAL CYLINDER LX14/50 FL '14	
717	S000028625	CENTRAL CYLINDER ROD LX14/50 FL '14	
718	G08293	CENTRAL CYLINDER BUSH LX14 FL '14	
719	G08297	GUIDE RINGS HOLDER CENTRAL CYLINDER LX14-45/50 FL - LX16/16 '14	

POSITION	PART NUMBER	DESCRIPTION	NOTES
720	G08303	CENTRAL CYLINDER SPACER L=15 LX14 FL '14	
721	G08303	CENTRAL CYLINDER SPACER L=15 LX14 FL '14	
722	G099005	SPLIT CYLINDER GUIDE RING FSP 60-50-15	
723	G099008	SELF LOCKING FERRULE GUK M40x1.5	
724	GP90051	KIT GUARNIZIONI LX16/16-LX14 FREE LIFT II EDITION CIL. CENTRALE	

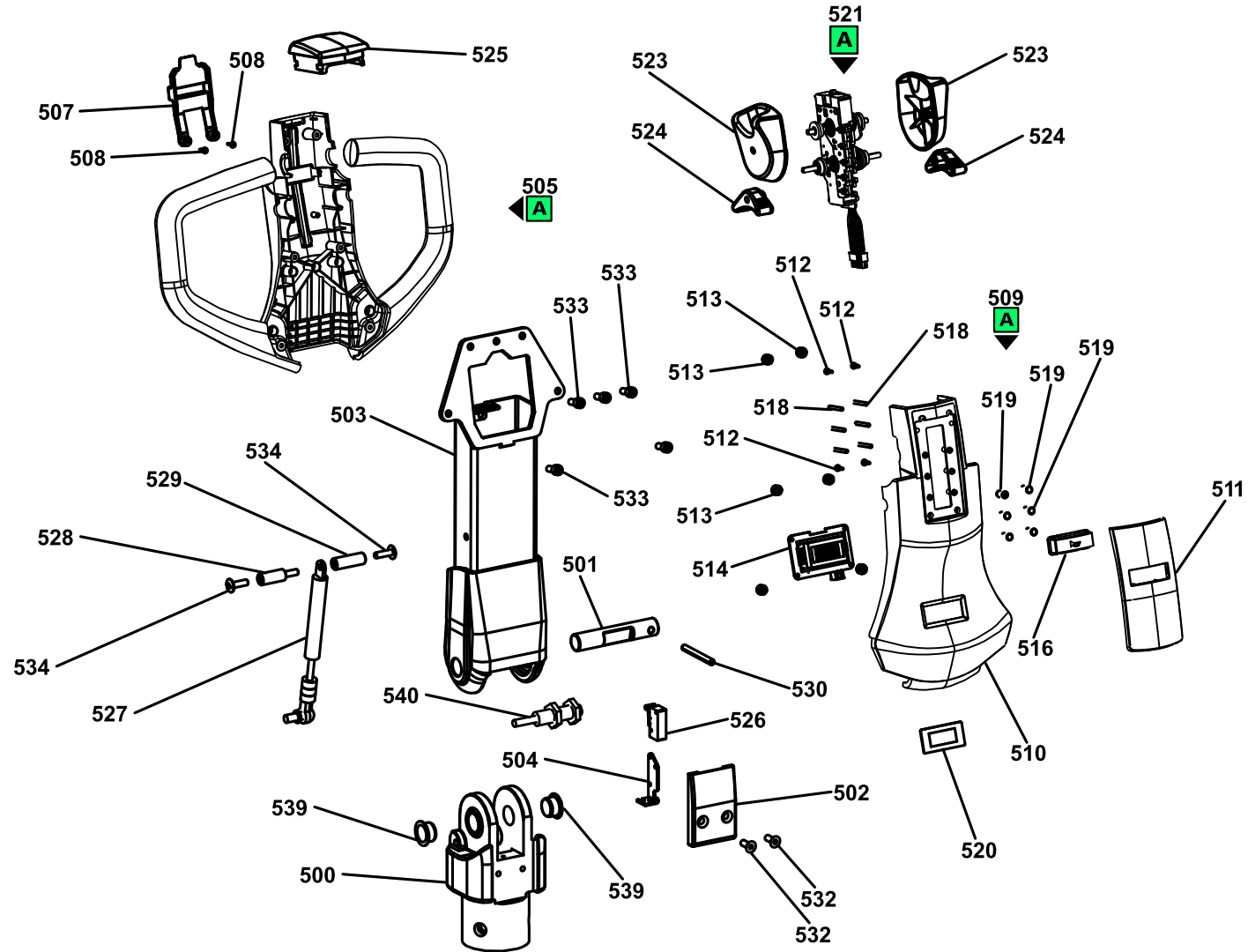




POSITION	PART NUMBER	DESCRIPTION	NOTES
300	G081041	CENTRALINA IDRAULICA 3,2kW - 3 cc/rev - VALVOLA PROPORZIONALE COMPENSATA - SERBATOIO 6l -MONTAGGIO VERTICALE - LX 14-16	
301	PCJ00016	ENGINE CS2 3.2KW 24VCC	
302	PCJ00017	ENGINE JOINT	
303	PCJ00018	PUMP FLANGE	
305	PCJ00022	ELECTROVALVE	
306	PCJ00023	SOLENOID	
307	PCJ00031	VALVE CAP	
308	PCJ00024	VALVE	
309	PCJ00025	TUBE WITH CONNECTION	
310	PCJ00026	TUBO	
311	PCJ00015	SUCTION FILTER	
312	PCJ00027	BREATHER CAP	
313	PCJ00028	PRESSURE VALVE	
314	PCJ00020	O-RING	
315	PCJ00021	TANK CAP	
317	PCJ00019	TANK	
318	PCJ00029	BRUSHES	

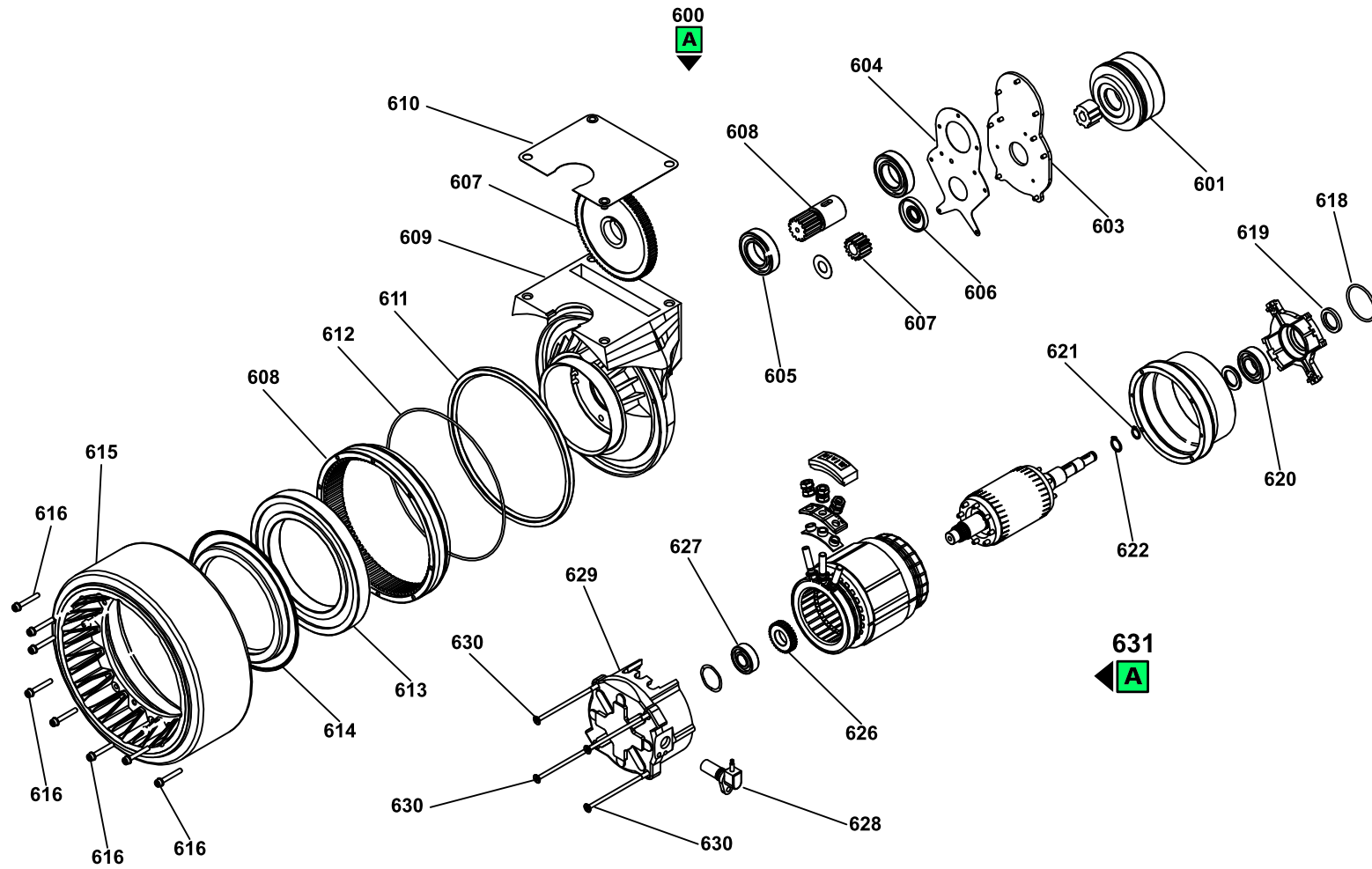


POSITION	PART NUMBER	DESCRIPTION	NOTES
400	S000028065	COMPLETE DRIVE-WHEEL SHAFT '14 LX	
401	G010214	BEARING 6010 2RS(50-80-16)	
402	S000028048	MACHINED DRIVEWHEEL PORTAL LX	
403	S000044600	SPRING RING '06 GX	
404	G001141	SPRING De78 F.11x185 P.22 x L10-L16-L/VT	
405	G042300	CRESCENT RING N1800-200	
406	G042280	INNER SEEGER 7436 I 80	
407	G026502	SCREW TCBEI M12x20	
408	G033131	LOW-PROFILE NUT 5589 65 CL8 M12 ZN	
409	G022809	SCREW TSPE 5933 10.9 M10x35 ZN	
410	G022806	SCREW TSPE 5933 10.9 M10x30 ZN	
411	S0303010153	MOTOR WHEEL WIRING BRACKET L10-L16	
412	G041903	PLAIN WASHER 6592 6.4x12.5 ZN	
413	G049307	MORSETTO PER FISSAGGIO IN ACCIAIO	
414	G020640	SCREW TCEI 5931-67 8.8 M6x12 ZINC PLATED	
415	G022008	SCREW HEX-HEAD 5739 65 8.8 M4x10 ZN	
416	G020714	SOCKET HEAD CAP SCREW TCEI 5931-67 8.8 M8x12 BLACK ZINC COATING (DIN 912)	
417	G074461	DRIVE WHEEL AC 1.2kW Ø250x101 LX14-16	
417	G074414	DRIVE WHEEL AC 1.2kW Ø250x101 POLYURETHANE LX14-16	
418	S000028911	DRIVE WHEEL WIRING LX '14	
419	S000028912	TILLER HARNESS LX '14	



POSITION	PART NUMBER	DESCRIPTION	NOTES
500	▲ V000023011-9005	SNODO TIMONE VERNICIATO TIMONIERA '14	Attention: this item is valid for machines produced with serial number until HLI0127665 Interchangeable: NO
500	▲ V000023019-9005	TILLER BRACKET PAINTED '14	Attention: this item is valid for machines produced with serial number from HLI0127665 Interchangeable: NO
501	▲ S000023012	PERNO TIMONIERA '14	Attention: this item is valid for machines produced with serial number until HLI0127665 Interchangeable: NO
501	▲ S000023021	TILLER PIN '14	Attention: this item is valid for machines produced with serial number from HLI0127665 Interchangeable: NO
502	V000023013-9005	PAINTED TILLER HEAD STOP '14 LX	
503	V000028079-9005	BRACCIO TIMONIERA VERNICIATO '14 LX	
504	▲ G08252	PIASTRINA MICRO LAVORO TIMONE TIMONIERA '14	Attention: this item is valid for machines produced with serial number until HLI0127665 Interchangeable: NO
505	S000023004	PREASSEMBLY BACK STEERING '14	
507	S000023014	PAD PRINTED CREEP SPEED ROCKER ARM TILLER HAED '14	
508	G021302	PHILLIPS CROSS RECESSED PAN HEAD TAPPING SCREW 2,9x9,5 DIN7981 F	
509	S000023006	PREMONTAGGIO PARTE ANTERIORE 1 TASTO TIMONIERA '14	
510	G0P603	FRONT SHELL TILLER HEAD '14	
511	G0P606	PATCH 1 HOLE TILLER HEAD '14	
512	G021302	PHILLIPS CROSS RECESSED PAN HEAD TAPPING SCREW 2,9x9,5 DIN7981 F	
513	G040064	"ON-SERT" CLIP Ø9 COD.41910	
514	G079899	DISPLAY TILLER HEAD '14	
515	S000023001	TASTO TAMPOGRAFATO DISCESA TIMONIERA '14	
516	S000023002	PAD PRINTED HORN BUTTON TILLER HAED '14	
517	S000023002	PAD PRINTED HORN BUTTON TILLER HAED '14	
518	G044408	CYLINDRICAL PIN Ø3x20 ISO 2338	
519	G001130	TILLER HEAD BUTTON SPRING	
520	G051923	TILLER HEAD DISPLAY PROTECTION PLATE	
521	S000023009	ASSEMBLY FREI CONTROLLER TRACTION + PROPORTIONAL FORK CONTROL + BUTTERFLIES	
523	G0P600	FARFALLA TRAZIONE TIMONIERA '14	
524	G0P601	FARFALLA SOLLEVAMENTO PROPORZIONALE TIMONIERA '14	
525	G0P609	EMERGENCY BUTTON FOR TILLER '14	
526	▲ S000028927	TILLER SWITCH WIRING LX	Attention: this item is valid for machines produced with serial number until HLI0127665 Interchangeable: NO
527	G001725	GAS SPRING - ROD Ø6, BARREL Ø15, LENGHT 177,5 mm, STROKE 32.5 mm, F1=300 N, ROD END: BALL JOINT M8, BARREL END: HOLE Ø6.3, 4 RUBBER WASHER THICKNESS 7mm + WASHER	
528	S000023017	SCREW-FEMALE SCREW SPACER TILLER HEAD ARM '14	

POSITION	PART NUMBER	DESCRIPTION	NOTES
529	S000023016	FEMALE SCREW SPACER TILLER HEAD ARM `14	
530	G044343	SPINA ELASTICA SPIROL 8748 D 6x55	
531	G021303	PHILLIPS CROSS RECESSED PAN HEAD TAPPING SCREW 4,2x13 DIN7981 C	
532	G022700	HSCH SCREW 59338.8 M6x16 BLACK ZINC COATED	
533	G022101	VITE TCEI 5931-67 8.8 M6x14 ZN	
534	G024114	WIDE HEAD SCREW M6x20 BLACK ZINC COATED	
535	G020619	ALLEN SCREW 5931-67 8.8 M4x10 ZN	
536	G020641	VITE TCEI 5931-67 8.8 M3x16 BRUNITA	
537	G034304	SELF-LOCKING NUT 7473 M4 ZN	
538	G041609	OVERLAPPED THEETH WASHER 8842 A4 ZN	
539	G016307	BOCCOLA FLANGIATA DU 18-20	
540	S000023020	WIRED PROXIMITY SENSOR TILLER `14 LX	





POSITION	PART NUMBER	DESCRIPTION	NOTES
600	G074461	DRIVE WHEEL AC 1.2kW Ø250x101 LX14-16	
600	G074414	DRIVE WHEEL AC 1.2kW Ø250x101 POLYURETHANE LX14-16	
601	PLC00039	LX14-16 (II Ed.) E. BRAKE	
603	PLC13716	BRAKE HOLDER PLATE CX14	
604	PLC13912	MOTOR WHEEL GASKET CX14	
605	PLC91110	BEARING	
606	PLC90117	PROTECTION RING	
607	G073029	PINION + DRIVER WHEEL	
608	G073304	RETURN PINION + RING GEAR 8 HOLES	
609	G073307	MOTOR WHEEL CASTING	
610	G073011	MOTOR WHEEL GASKET	
611	PLC90115	SEALING RING	
612	PLC91534	O-RING 3725	
613	G073009	BEARING	
614	PLC14310	SEALING	
615	G073301	RUBBER RING FOR MOTORWHEEL L16 NEW /LX16/LX14-45/LX14-45 A.L.	
615	G073311	MOTOR WHEEL ADIPRENE RING L16 NEW	
615	G073329	MOTOR WHEEL ECOLOGIC RUBBER RING L16 NEW	
616	G073242	SCREW WHEEL	
617	PLC33460	FLANGE	
618	PLC91554	O-RING 3168	
619	PLC90118	OIL ENGINE PROTECTION LX	
620	G073211	BEARING 6004 2RS C3 V2 P6	
621	PLC93214	SEEGER A11	
622	PLC93209	SEEGER AS14	
624	PLC34341	BASE	
625	PLC31011	STATOR	
626	PLC13347	FONIC WHEEL	
627	G073027	BEARING 6004 2Z	
628	PLC70022	SPEED SENSOR	
629	PLC33548	MOTOR FLANGE	
630	PLC34140	TIE ROD (x4)	
631	PLC00037	COMPLETE ENGINE LX II EDITION	