

## Spare Parts Catalogue

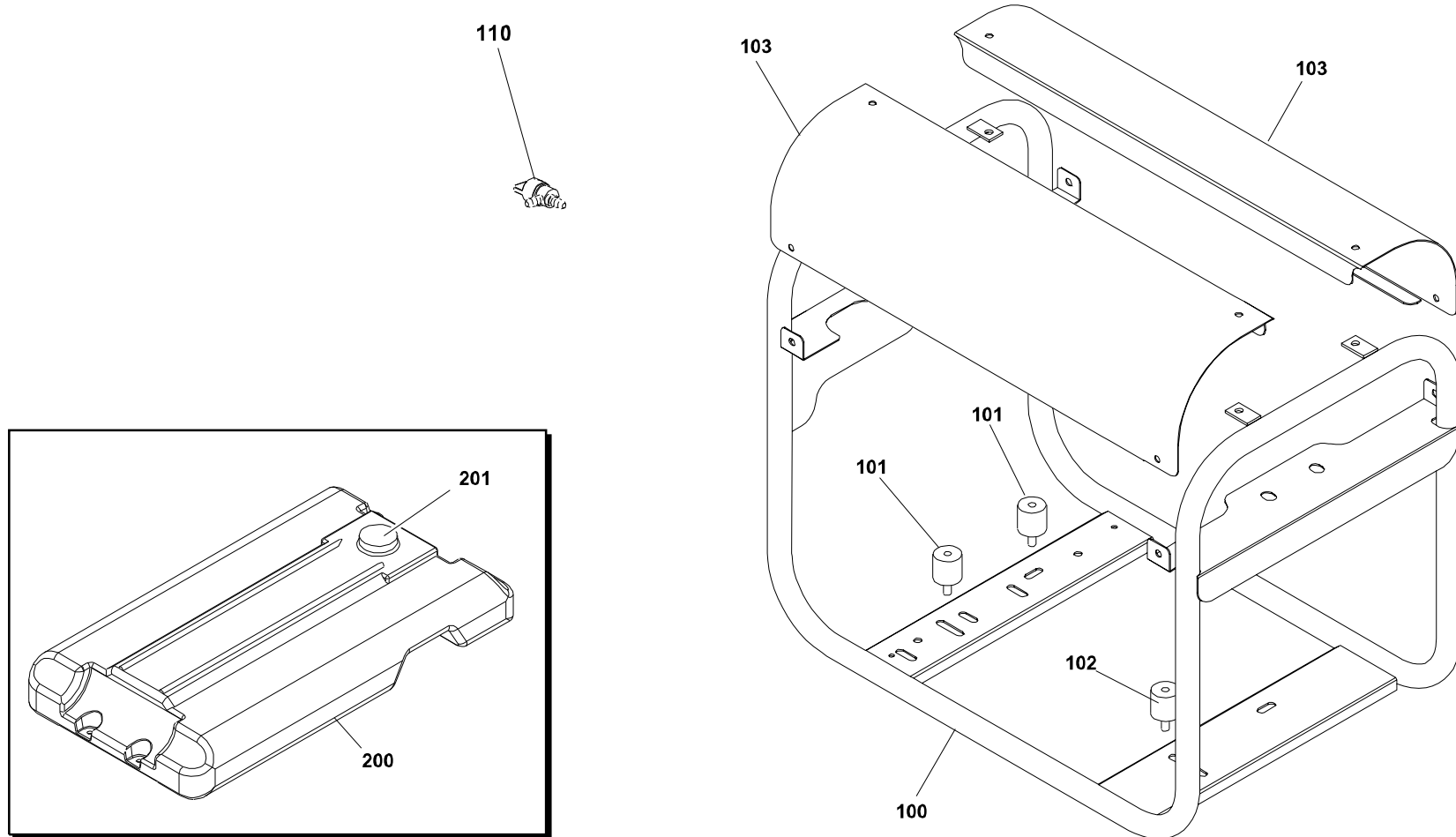
# ES3000

Power systems | Generating sets

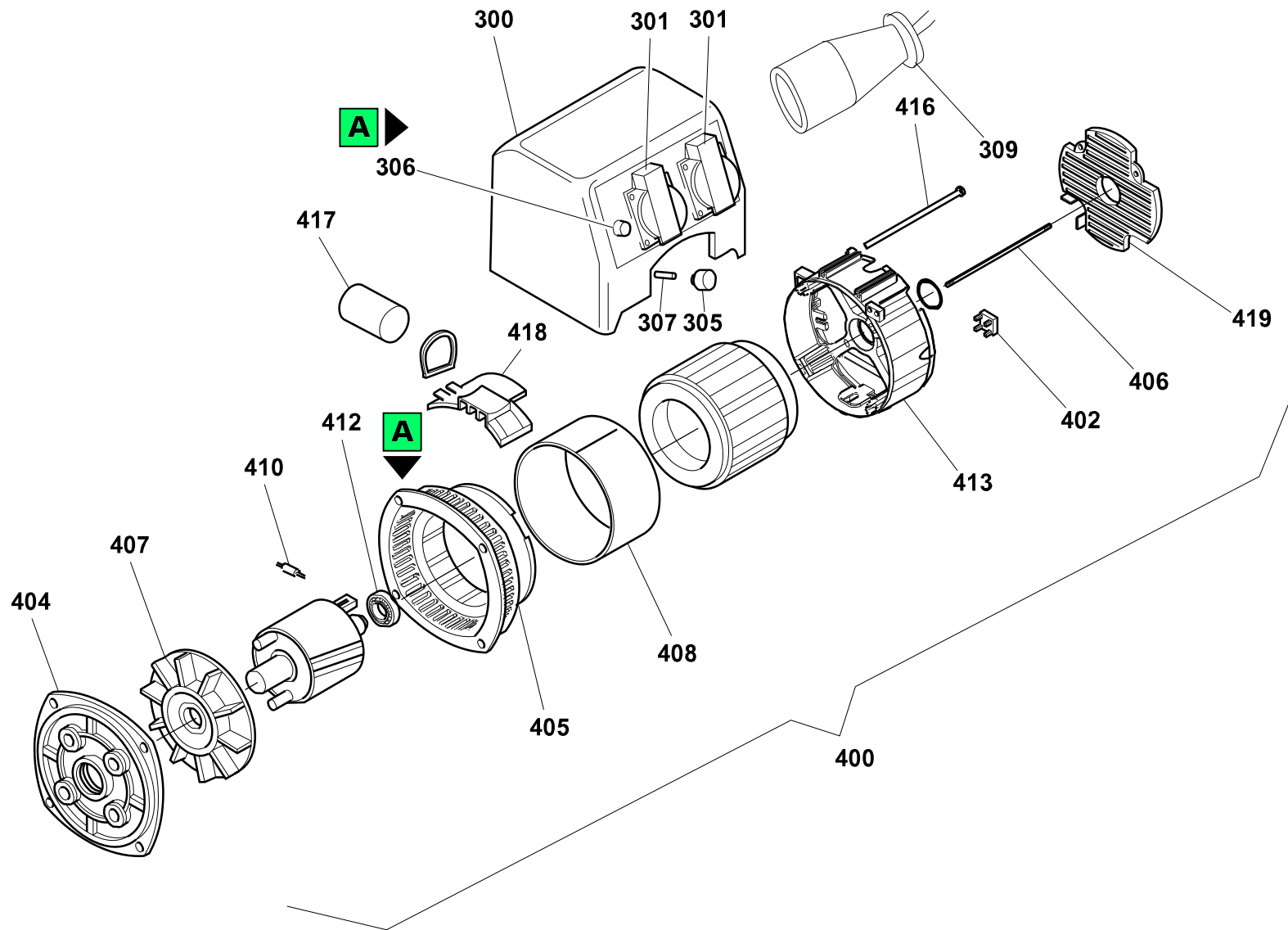
Valid for machine code: PE242SHI000

Revision: 0 (10/2006)

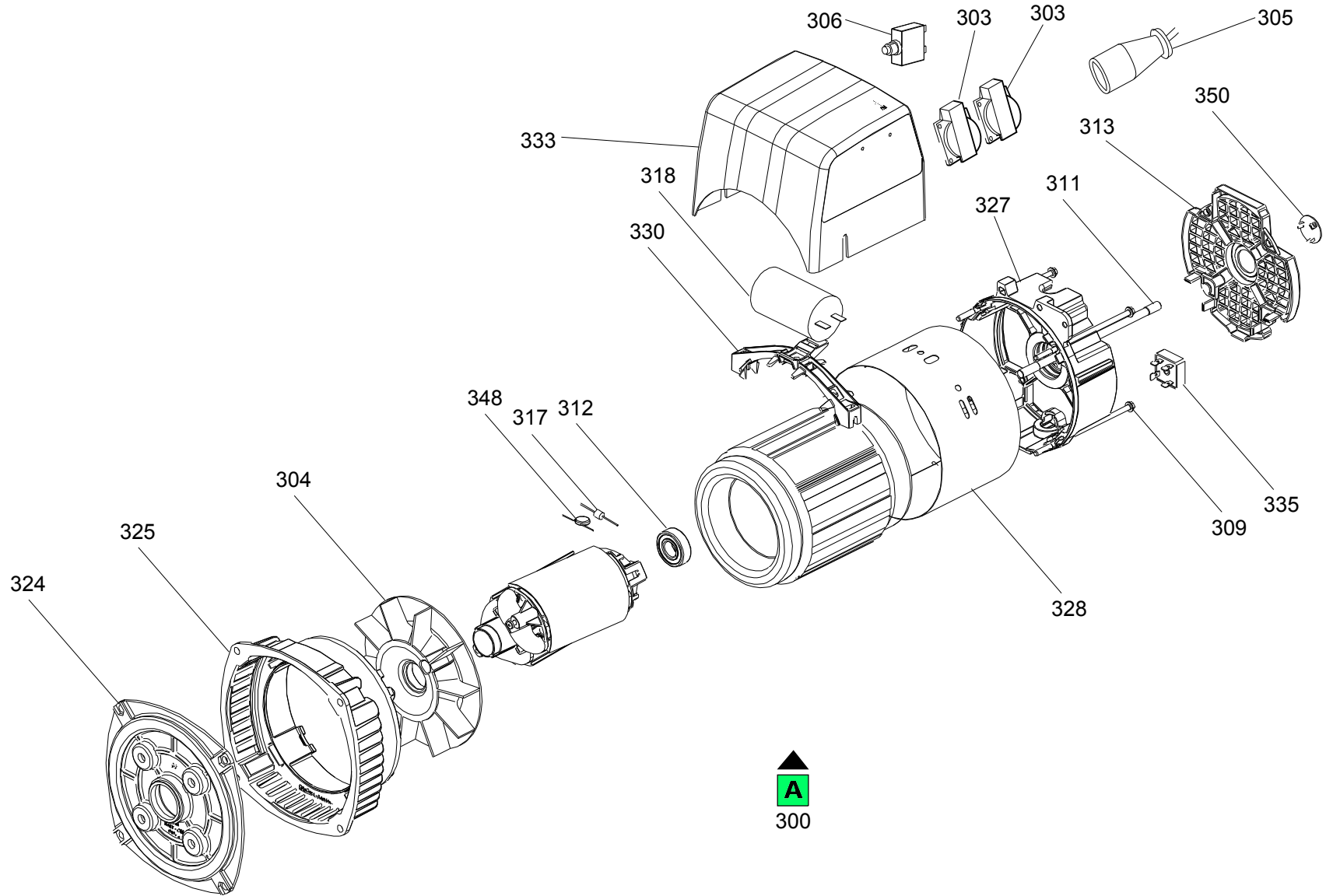
Copyright 2016 Pramac Group, All Rights Reserved.



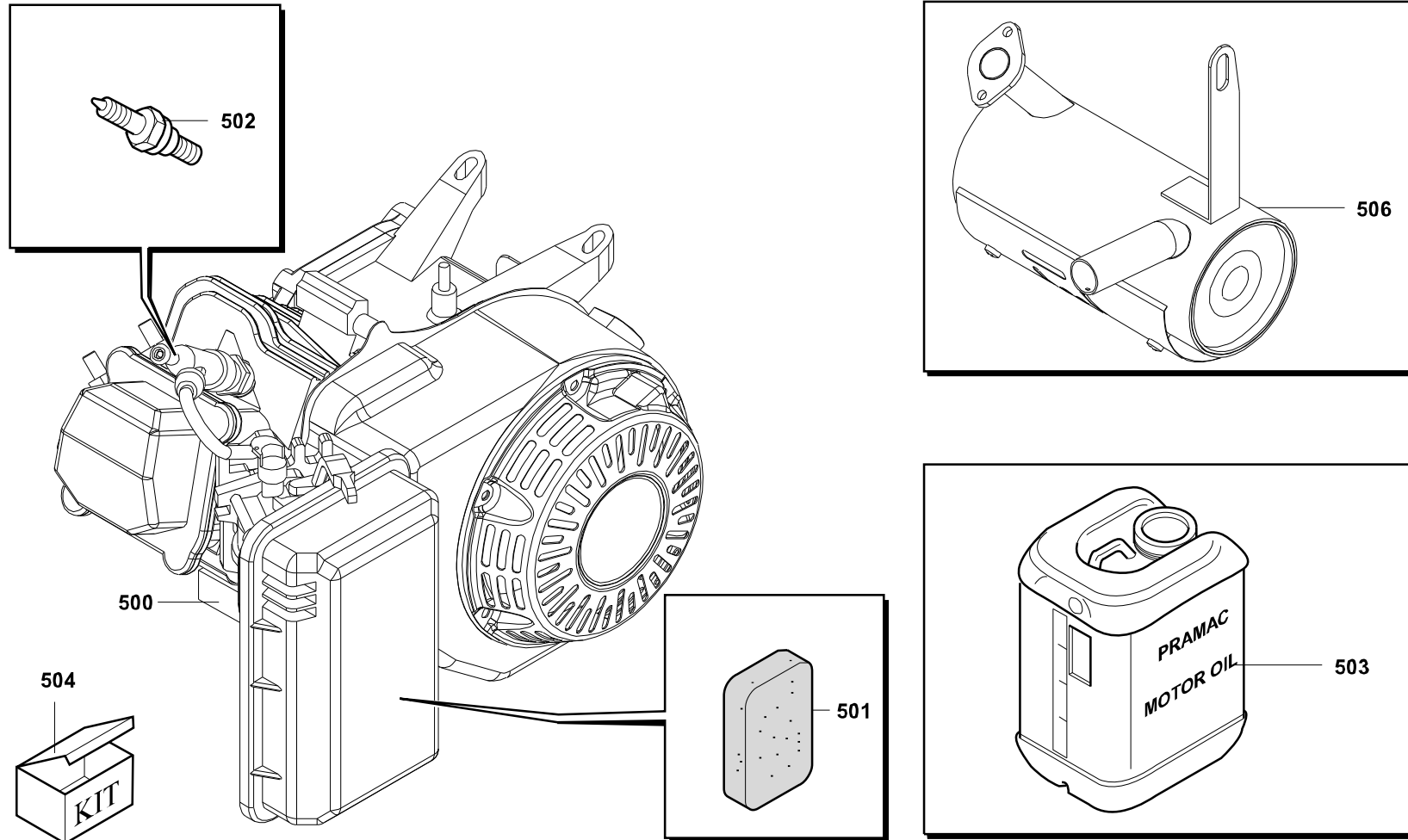
| Position | Part Number        | Description                                 | Notes  |
|----------|--------------------|---|--|
| 100      | ▲ VA40023014-9005B | Complete Frame Painted Es 32 Ral9005o       | Valid for products manufactured from 18/07/2012  |
|          | ▲ VA40023001-9005O | Complete Frame S3000 Shhpi Painted          | Valid for products manufactured until 18/07/2012 |
| 101      | G052113            | Cylindric Silent-block Mf-30x30-m8x15-m8-45 | -  |
| 102      | G052113            | Cylindric Silent-block Mf-30x30-m8x15-m8-45 | -  |
| 103      | VA8922-PRAMAC      | Side Cover Es3000 Green Painted Pramac      | -  |
| 110      | G085102            | Gasoline Loose Plastic Tap                  | -  |
| 200      | G51398             | Fuel Tank 11 Liters                         | -  |
| 201      | ▲ G080201          | Obsolete Use G080215                        |  |
|          | ▲ G080215          | Fuel Cap Without Key - Vent Holes On Top    |  |



| Position | Part Number    | Description                                    | Notes |
|----------|----------------|--|-------|
| 300      | PAN1GGA00001A  | Alt. Es80c Cover                               | -     |
| 301      | G071131        | Socket Subassembly, Power Supply               | -     |
| 302      | G071131        | Socket Subassembly, Power Supply               | -     |
| 305      | G070617        | Panel Mount Fuse Holder 6a (5x20)              | -     |
| 306      | G075531        | Thermal Circuit Breaker 10a 240v               | -     |
| 307      | G070616        | Fuse 10a 5x20 Glass                            | -     |
| 308      | G69703         | Electric Control Panel Es80c 2sc+t             | -     |
| 309      | G71230         | Flying Plug Schuko                             | -     |
| 400      | ANS2700CA0A2AZ | Alt. Es80c 2,7/115/230/50/3000 J609a           | -     |
| 404      | G69687         | Motor Coupling Flange Es80j609c19              | -     |
| 405      | G69688         | Front Plate Es80                               | -     |
| 406      | G69684         | Tension Rod Zinc Plated M8-5/16"24unfx18 Es80b | -     |
| 407      | PAN1VGA00002   | Fan  | -     |
| 408      | G69696         | Shutter Band Black Es80c 3appl0013n            | -     |
| 410      | G69621         | Battery Charger Diode 6a - 1200v               | -     |
| 412      | G010408        | Bearing 6202 2rs (15-35-11)                    | -     |
| 413      | G69693         | Rear Plate Es80                                | -     |
| 416      | G69682         | Screw Zinc Plated Te M5x165 Es80c (7vte05165)  | -     |
| 417      | G70698         | Capacitor 18mf                                 | -     |
| 418      | G69698         | Capacitor Support Bracket 1mvv002              | -     |
| 419      | G69686         | Rear Cover 1gga00002                           | -     |



| Position | Part Number    | Description  | Notes |
|----------|----------------|--|-------|
| 300      | ANS2700CA0A2AW | Alternator K80c 2,7/230/50/3000 J609a - Cover - 2 Schuko +cir. Breaker - Nsm | -     |
| 303      | G071131        | Socket Subassembly, Power Supply   | -     |
| 304      | PAN1VGA00002   | Fan  | -     |
| 305      | G71230         | Flying Plug Schuko   | -     |
| 306      | G075531        | Thermal Circuit Breaker 10a 240v   | -     |
| 309      | PAN7VTE05145   | Screws For Bracket Fixing  | -     |
| 311      | PAN7ZUN08205   | Alternator Rod Es80e 3.5kva  | -     |
| 312      | G010408        | Bearing 6202 2rs (15-35-11)  | -     |
| 313      | PAN1GGA00008   | No Drive End Grid  | -     |
| 317      | G69621         | Battery Charger Diode 6a - 1200v   | -     |
| 318      | G70698         | Capacitor 18mf   | -     |
| 324      | PAN3FLA1011    | Coupl. Flange J609a C19  | -     |
| 325      | PAN3SLA00003   | Drive End Bracket  | -     |
| 327      | PAN3SLA00004   | No Drive End Bracket   | -     |
| 328      | PAN3APPL0016   | Enclosing Band   | -     |
| 330      | PAN1MVB004     | Capacitor Support  | -     |
| 333      | PAN1GGA000940  | Cover K80e 2   | -     |
| 335      | PANKPD25A02    | Ponte Raddrizzatore Monofase 15°-200v  | -     |
| 348      | PANKVZ12A420   | Varistor   | -     |
| 350      | PAN7PRTS0232   | Plastic Plug Es80  | -     |





| Position | Part Number      | Description   | Notes   |
|----------|------------------|---|---|
| 500      | ▲ EHA55BA1GZ     | Engine Honda Gx160h1 Vpm6 Air_3000_mech_j609a-_handstart__ver/sp: | Valid for products manufactured from 17/04/2014               |
|          | ▲ EHA55BA11V     | Engine Honda Gx160t2 Vpm6 Air_3000_mech_j609a-_handstart__ver/sp: | Valid for products manufactured from 04/01/2013 to 07/04/2014 |
|          | ▲ EHA55BA11W     | Engine Honda Gx160t1 Vpm6 Air_3000_mech_j609a-_handstart__ver/sp: | Valid for products manufactured from 06/10/2010 to 04/01/2013 |
|          | ▲ EHA55BA11Y     | Engine Honda Gx160k1 Vpm5 Air_3000_mech_j609a-_handstart__ver/sp: | Valid for products manufactured from 17/08/2005 to 06/10/2010 |
|          | ▲ EHA55BA11Z     | Engine Honda Gx160 Vpm4 Air_3000_mech_j609a-_handstart__ver/sp:   | Valid for products manufactured until 17/08/2005              |
| 501      | PEH17211-ZB2-000 | Air Filter Element Gx160k1  | -   |
| 502      | PEH98079-56846   | Spark Plug Bpr6es   | -   |
| 503      | P3OL00003        | Power Motor Oil 15/40 0,600l.                                     | -   |
| 504      | P3KI00004        | Maintenance Kit Es3000-c3000-es4000-p4000i-es4000exp- S3200       | -   |
| 506      | G92070           | Muffler Pramac Gx 120/160   | -   |