

## Spare Parts Catalogue

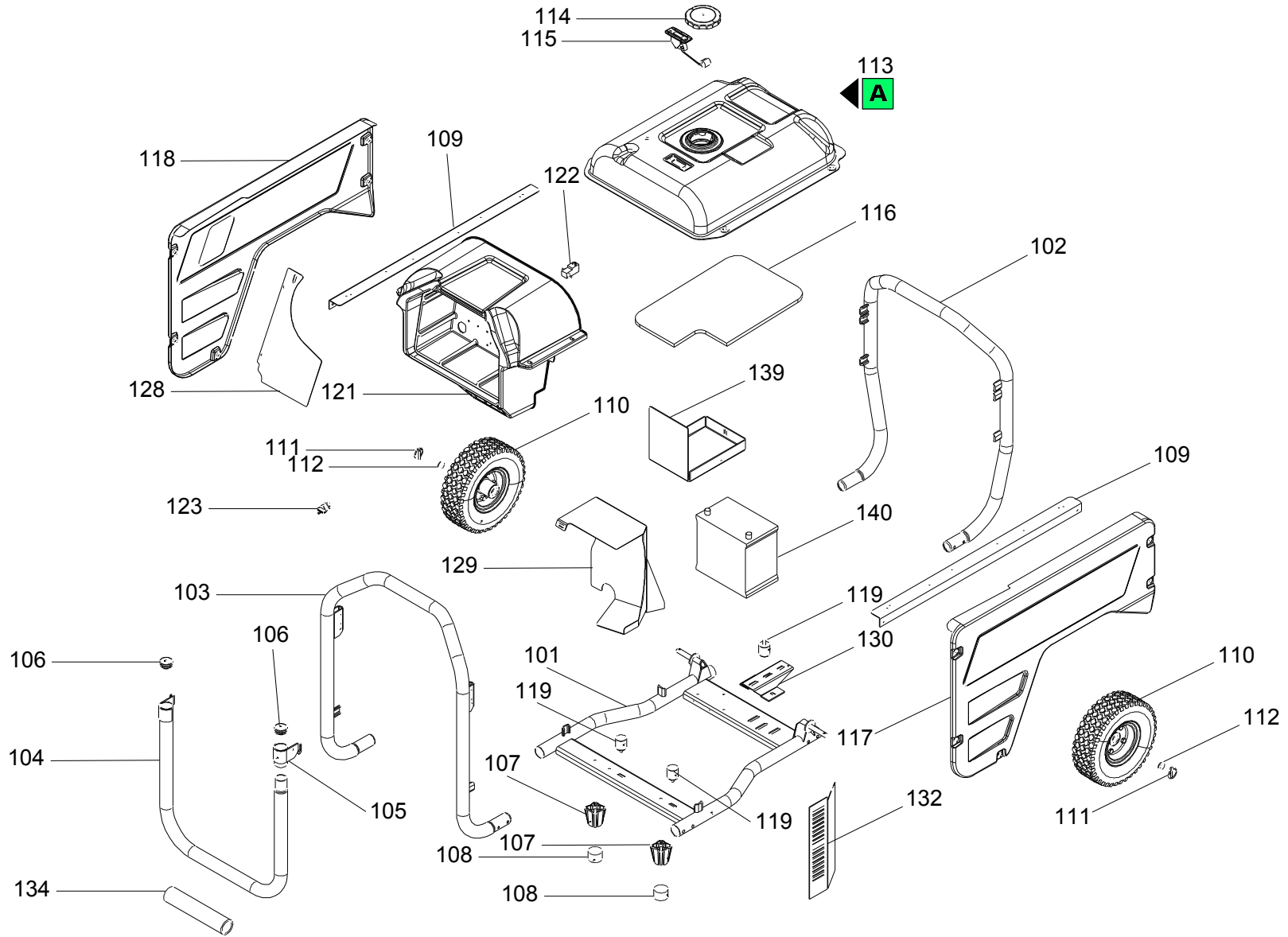
# S5000-2015-THREEPHASE-

Power systems | Generating sets

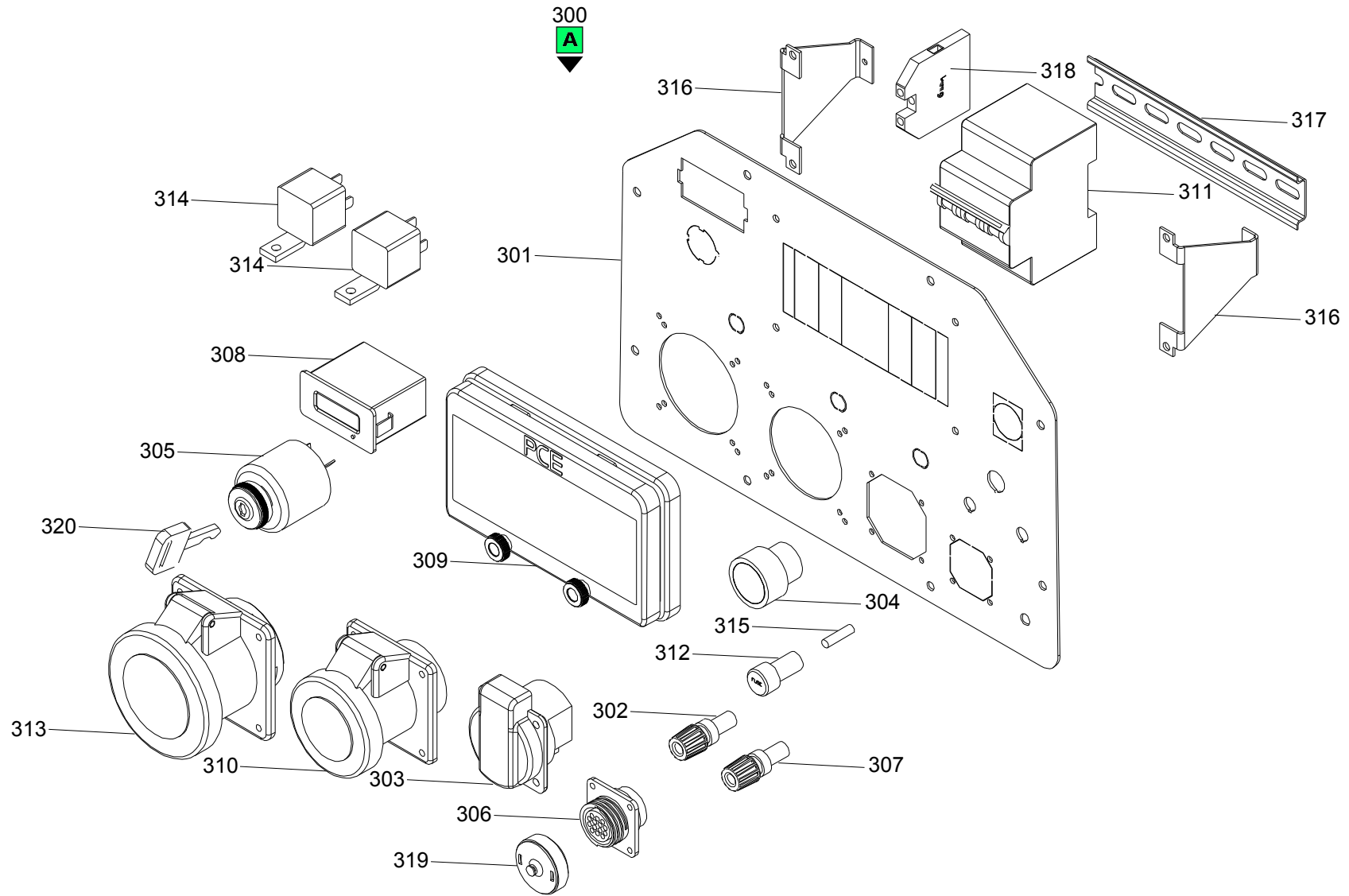
Valid for machine code: PD542THBZ01

Revision: 0 (7/2015)

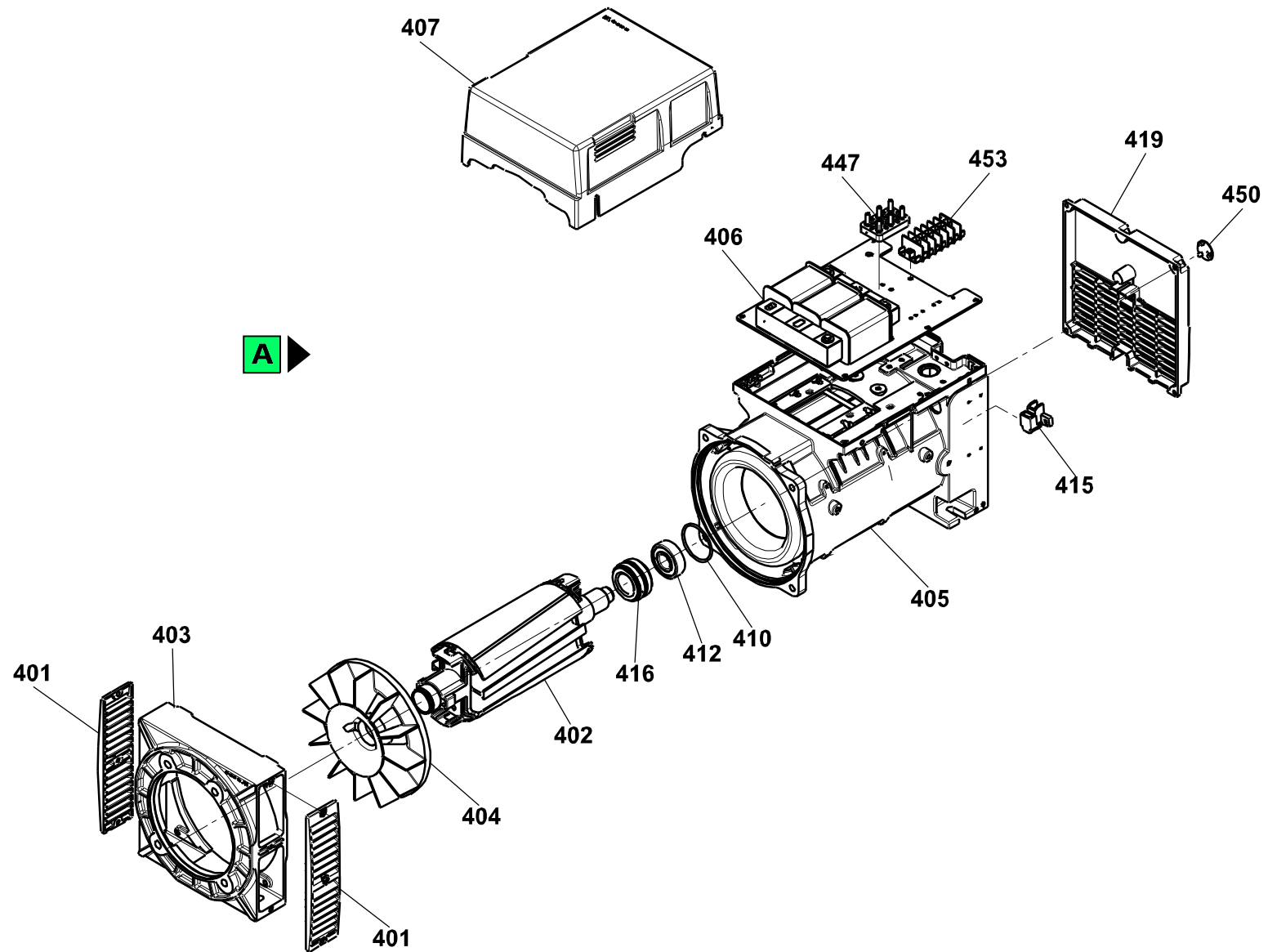
Copyright 2016 Pramac Group, All Rights Reserved.



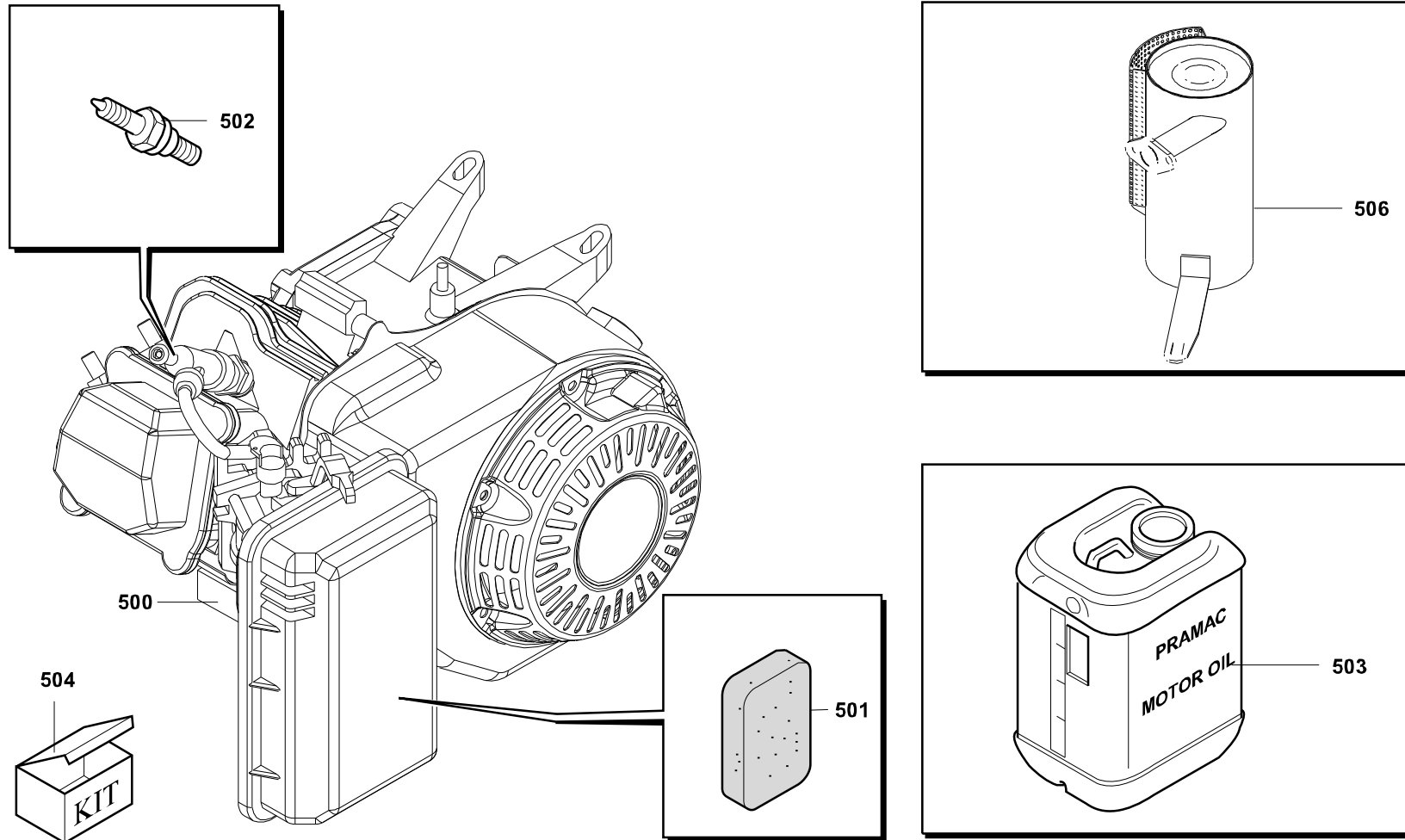
| Position | Part Number        | Description   | Notes |
|----------|--------------------|---|-------|
| 101      | VA40016062-9005B   | Painted Central Part Of Multibody Frame                                 | -     |
| 102      | VA40016043-9005B   | Painted Assembled Pipe Alternator, Multibody Frame                      | -     |
| 103      | VA40016045-9005B   | Painted Assembled Pipe Engine, Multibody Frame                          | -     |
| 104      | VA40016049-9005B   | Painted Assembled Carrying Handle                                       | -     |
| 105      | VA40016047-9005B   | Painted Mobile Connection For Carrying Handle                           | -     |
| 106      | G051519            | Plastic Cap Ø 35 Black  | -     |
| 107      | GA7021             | Feet Support +nut+screw   | -     |
| 108      | G052956            | Rubber Feet 85 Sh-a   | -     |
| 109      | GA7032             | Metal Sheet Support For 26,5 L Fuel Tank                                | -     |
| 110      | G052444            | Wheel 3,5"x10" Rubber Filled Flat Tread, Black Rim With Sphere Bearings | -     |
| 111      | G44208             | Bell Split Pin D4.5(p.n.115 Ama)  | -     |
| 112      | G041908            | Plain Washer 6592 13x24 Zn  | -     |
| 113      | SA40016052         | Fuel Tank With Supplements  | -     |
| 114      | G051521            | Shell Fuel Cap For Metal Tank - Vent Holes On Top                       | -     |
| 115      | G080307            | Fuel Tank Gauge For Metal Tank Of 26,5 L                                | -     |
| 116      | SA40021903         | Termoisolante Protezione Serbatoio New S5000-s8000                      | -     |
| 117      | VA40016700-PRAMACB | Painted Right For Multibody Frame                                       | -     |
| 118      | VA40016701-PRAMACB | Painted Left For Multibody Frame Painted                                | -     |
| 119      | G052112            | Cylindric Silent-block Mf-30x30-m8x15-m8-60                             | -     |
| 120      | G92080             | Muffler Gx 270  | -     |
| 121      | SA40016055         | Control Panel Housing For S Series Restyling                            | -     |
| 122      | G079016            | Electrovalve Choke S5-8000 No Direct Action12vcc                        | -     |
| 123      | G085104            | Quarter Turn Fuel Valve   | -     |
| 128      | SA40016702         | Carburator Conveyor   | -     |
| 129      | VA40016051-9005B   | Muffler Conveyor Painted  | -     |
| 130      | GA7028             | Alternator Support  | -     |
| 132      | SA40016053         | T-tr100 Alternator Conveyor   | -     |
| 134      | G052008            | Covering For Carrying Handle D.35 Mm                                    | -     |
| 139      | GA7076             | Plate Battery New Series S  | -     |
| 140      | G089001            | Battery 26ah 12v Sealed - 205x132x185.5                                 | -     |



| Position | Part Number | Description   | Notes |
|----------|-------------|---|-------|
| 300      | SA40016981  | New Control Panel S5000 - S8000 Tf Conn Es - Ge0496         | -     |
| 301      | GA7039      | Metal Sheet For Control Panel New S Series                  | -     |
| 302      | G070109     | Battery Charger Red Screw Terminal                          | -     |
| 303      | G071131     | Socket Subassembly, Power Supply                            | -     |
| 304      | G075171     | Black Push Button Not Illuminated For 22 Hole With Lock Nut | -     |
| 305      | G075310     | Starter Key Switch  | -     |
| 306      | G071021     | Female Connector 14contacts Com. Dist.                      | -     |
| 307      | G070110     | Battery Charger Black Screw Terminal                        | -     |
| 308      | G077014     | Digital Multimeter Three Phase For Panel                    | -     |
| 309      | G070312     | Ip55 Cover 8 Modules Din                                    | -     |
| 310      | G071121     | Panel Mount Socket 2p+t 230v 16a Ip44 Cee                   | -     |
| 311      | G075540     | Magnetothermic Switch 3p 10+10+16a                          | -     |
| 312      | G070617     | Panel Mount Fuse Holder 6a (5x20)                           | -     |
| 313      | G071126     | Panel Mount Socket 3p+n+t 400v 16a Ip44 Cee                 | -     |
| 314      | G079583     | Rele' 12v 1 30/20a 12.040.000                               | -     |
| 315      | G070616     | Fuse 10a 5x20 Glass   | -     |
| 316      | G070817     | Sec. C Flask For Pr Bar                                     | -     |
| 317      | G070822     | Omega Support 7,5x35  | -     |
| 318      | G079469     | Clamp 6mmq  | -     |
| 319      | G071091     | Sealing Cap With Bead Chain - 14 Poles Connector            | -     |
| 320      | G76926      | Key Block Body For Starter Switch                           | -     |



| Position | Part Number    | Description  | Notes |
|----------|----------------|--|-------|
| 400      | AIT7000AB000XZ | Alt.t100sc 7,0/230/400/50/3000/12 J609b  | -     |
| 401      | PAN1GGA10010   | Rete Di Protezione   | -     |
| 402      | PAN5AA121737   | Rotore Completo Ait  | -     |
| 403      | PAN3SLA10012   | Scudo Anteriore J609   | -     |
| 404      | PAN1VGA10003   | Fan  | -     |
| 405      | PAN5FA120730   | Carcassa Completa Ait  | -     |
| 406      | PAN5CA12033    | Compound Completo Ait  | -     |
| 407      | PAN00018       | Cover T100   | -     |
| 410      | G53518         | Gasket Or 2187 D=1,78 De=47,35   | -     |
| 412      | G010409        | Bearing 6204 2rs (20-47-14)  | -     |
| 415      | G70181         | Brushes Set Eg3-a L=300  | -     |
| 416      | G70180         | Slip Ring Alt. Eg 3-a  | -     |
| 419      | PAN1GGA100113  | Ccuffia Aspiraz.aria Pred.x Se-m-t100 1cee 1 Schukouffia Predisposta Se-m-t100 | -     |
|          | PAN3T12VX2     | Cover T100 Mf+ Tf Cee  | -     |
| 447      | PAN7MTP060502  | Morsettiera Utilizzazione  | -     |





| Position | Part Number      | Description  | Notes |
|----------|------------------|--|-------|
| 500      | EHA90CB21X       | Engine Honda Gx270rt2 Vpe5 Air_3000_mech_j609b-_12vdc__ver/sp: | -     |
| 501      | PEH17211-899-000 | Air Filter Element   | -     |
| 502      | PEH98079-56846   | Spark Plug Bpr6es  | -     |
| 503      | P3KI00299        | Kit Pramac Power   | -     |
| 504      | P3KI00008        | Maintenance Kit S5000-es5000                                   | -     |
| 506      | G92080           | Muffler Gx 270   | -     |