

Spare Parts Catalogue

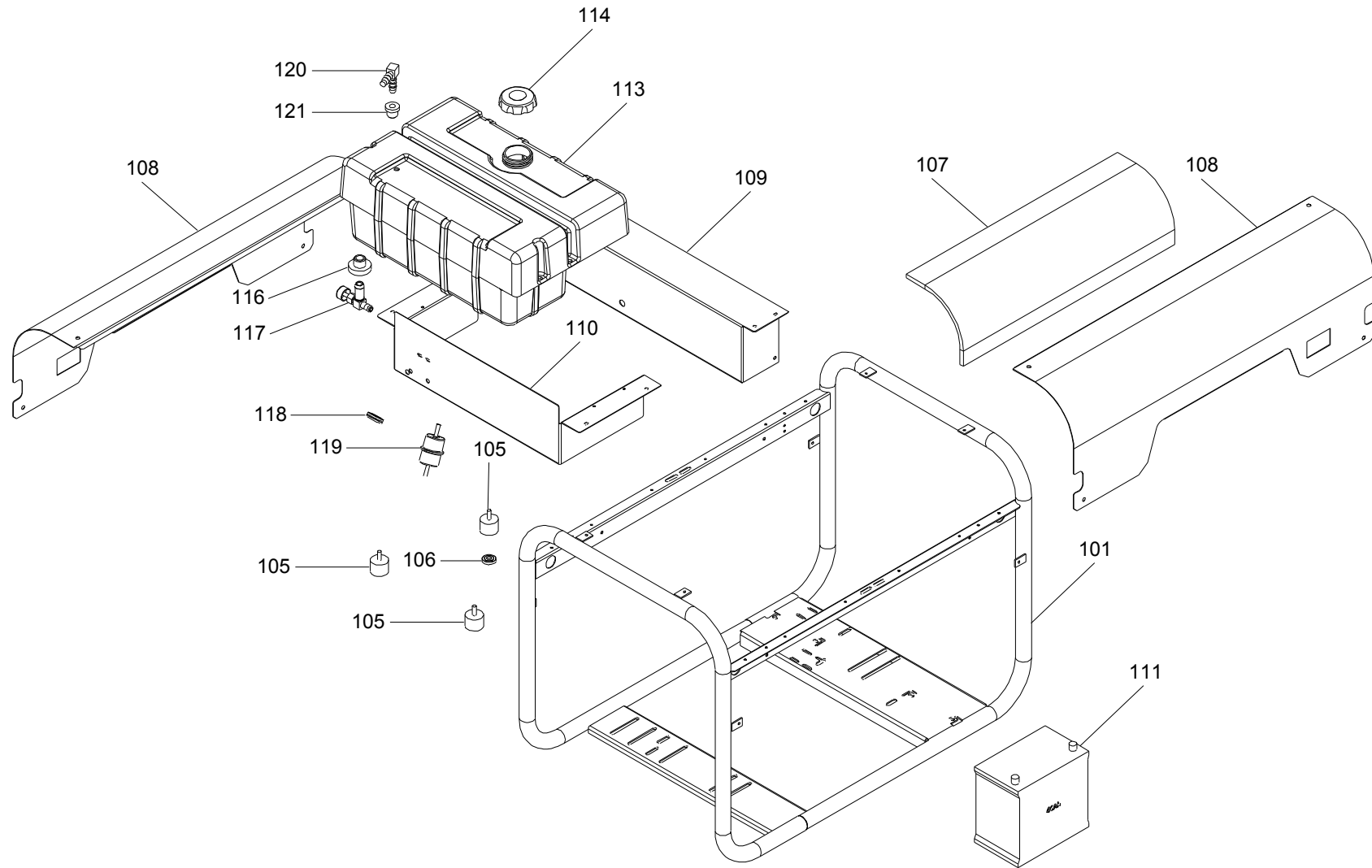
S9000-2013-MONOPHASE+CONN

Power systems | Generating sets

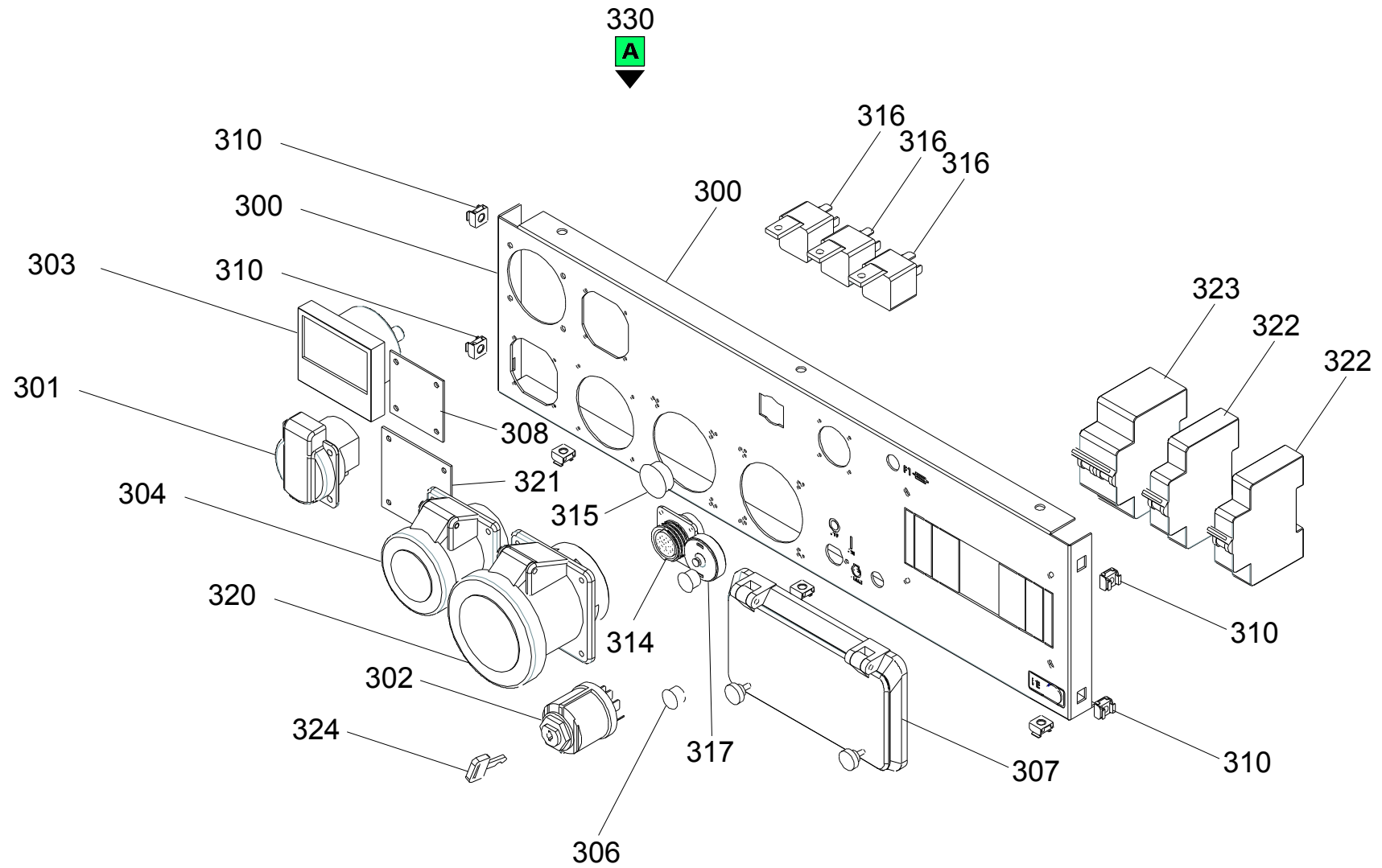
Valid for machine code: PD752SRAZ07

Revision: 0 (3/2015)

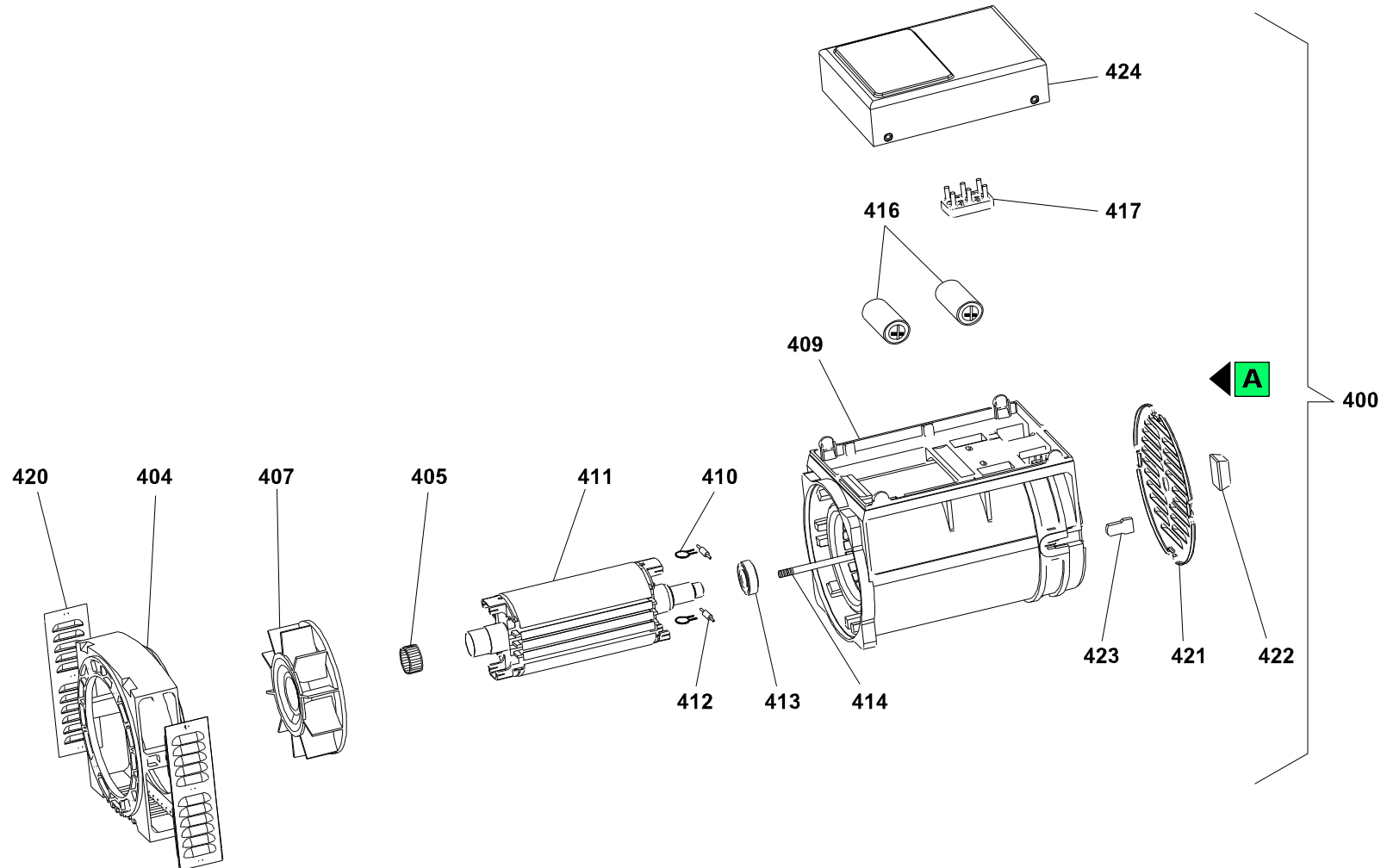
Copyright 2016 Pramac Group, All Rights Reserved.



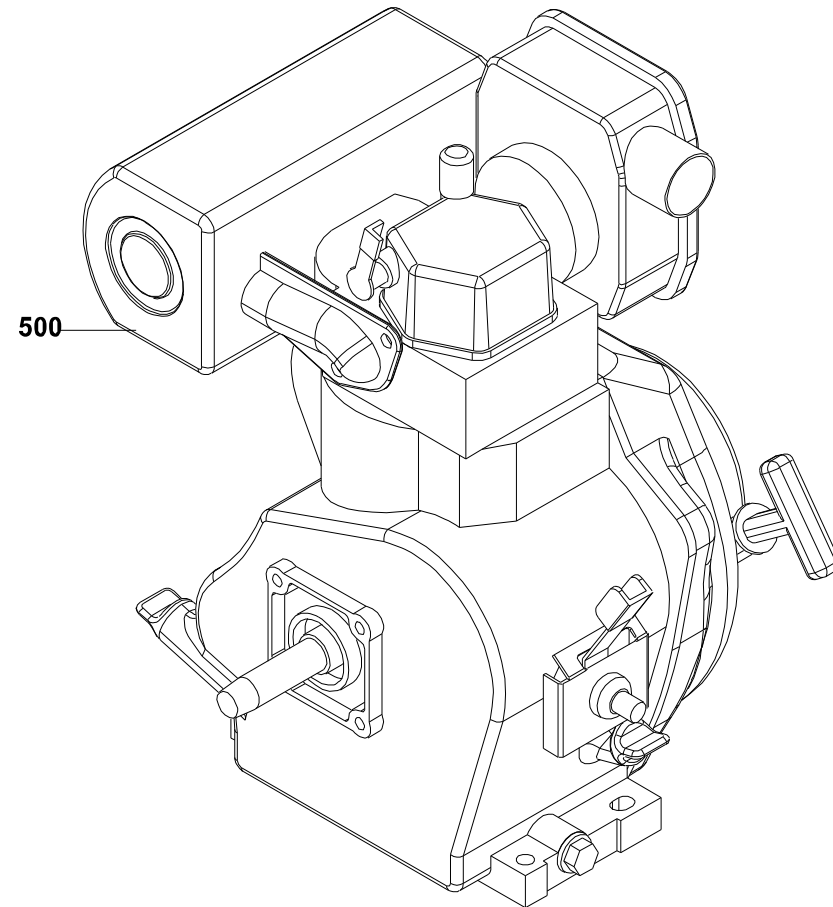
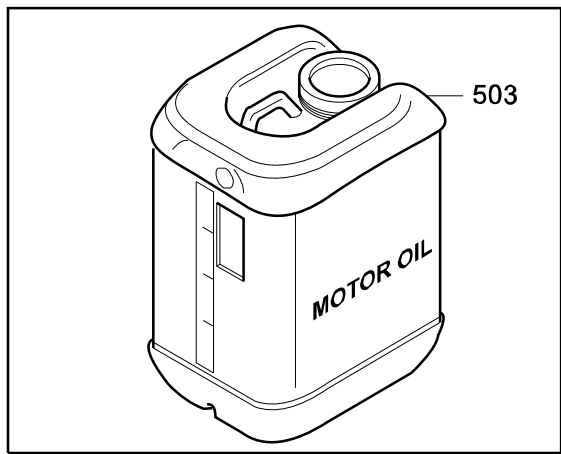
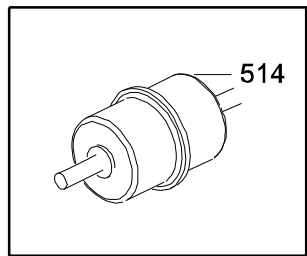
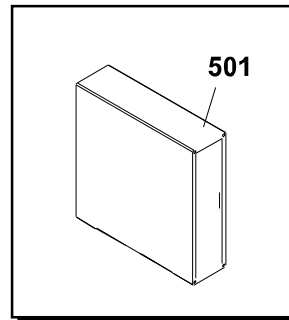
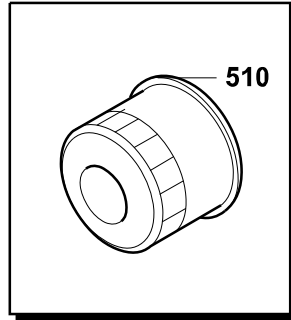
| Position | Part Number | Description | Notes |
|----------|------------------|--|-------|
| 101 | VA50015013-9005B | Complete Frame Painted S9000 Restyling | - |
| 105 | G052121 | Cylindric Silent-block Mf-40x30-m8x23-m8-55 | - |
| 106 | SA40023901 | Spacer 6 Mm Nylon Snap-in | - |
| 107 | SA50015902 | Muffler-side Rail Protection Thermalreflecting | - |
| 108 | VA9519-PRAMACB | Painted S12000 Side Rail | - |
| 109 | VM5H400009-9005B | Support Control Panel Serie S Painted Ral 9005b | - |
| 110 | VA9621-9005B | Tank Protection S9000 Restyling Painted | - |
| 111 | G089126 | Battery 45ah 12v With Acid - 216x133x223 | - |
| 113 | SA10002904 | Fuel Tank Petrol/diesel 24 Liters | - |
| 114 | G080201 | Obsolete Use G080215 | - |
| | G080215 | Fuel Cap Without Key - Vent Holes On Top | - |
| 116 | G084801 | Grommet Valve #10672 | - |
| 117 | G085100 | Needle Valve Bushed - Ref.11478 | - |
| 118 | G070208 | Wire Bush Open 3932-36-a | - |
| 119 | G080101 | Fuel Filter Fb1-01544 5u | - |
| 120 | G83310 | Curved Pipe Fitting "norma" Plastic Ws.6 Fuel Tank 8 Gal | - |
| 121 | G83311 | Pipe Fitting Gasket "norma" Ws 6 | - |



| Position | Part Number | Description | Notes |
|----------|-------------|--|-------|
| 300 | GA9927 | Pro Tech Universal Panel Face - 14 Poles Connector | - |
| 301 | G071131 | Socket Subassembly, Power Supply | - |
| 302 | G075310 | Starter Key Switch | - |
| 303 | G079025 | Voltmeter 0-500v D56 | - |
| 304 | G071121 | Panel Mount Socket 2p+t 230v 16a Ip44 Cee | - |
| 306 | G051109 | Cap For Hole D12.7 | - |
| 307 | G070312 | Ip55 Cover 8 Modules Din | - |
| 308 | GA8430 | Piastrina Copriforo | - |
| 310 | G034904 | Cage Nut M6 Galv. (th. 1.8-2.6 8.3x8.3) | - |
| 314 | G071021 | Female Connector 14contacts Com. Dist. | - |
| 315 | G051104 | Cap For Hole D22.2 | - |
| 316 | G079583 | Rele' 12v 1 30/20a 12.040.000 | - |
| 317 | G071091 | Sealing Cap With Bead Chain - 14 Poles Connector | - |
| 320 | G071136 | Socket 2p+t 230v 32a Ip44 Cee | - |
| 321 | GA7808 | Cover Hole Sheet For Cee Socket | - |
| 322 | G075568 | Magnetothermic Switch 1p 16a | - |
| 323 | G075565 | Magnetothermic Switch 2p 32a | - |
| 324 | G76926 | Key Block Body For Starter Switch | - |
| 330 | SA50015021 | El. Panel S9000 Sf + Conn - Ge0487 | - |



| Position | Part Number | Description | Notes |
|----------|----------------|---|-------|
| 400 | AMS8500CI0000Y | Alternator S20fs 130/a 8,5/115/230/50/3000 Cono 30 - Blind Cover - Without B.c. - Mecc-alte | - |
| 404 | PAM0391700150 | Drive End Bracket S20fs Cono 30 | - |
| 405 | G70693 | Compensator Ring (mod. Bn 35x23) | - |
| 407 | G70703 | Fan Tr2/mr2 | - |
| 410 | PAM9910356050 | Diode D2/125 25a | - |
| 412 | G70459 | Varistor Z-10-l-561 | - |
| 413 | G70704 | Rear Bearing 6205-2z | - |
| 414 | PAM9911190375 | Securing Stud S20fs 130/a Cono 30 | - |
| 416 | G70113 | Capacitor 25 Uf M1 Kva 5 | - |
| 417 | PAM9909915060 | Terminal Box | - |
| 420 | PAM0390700009 | Protection Screen S20fs 130/a | - |
| 421 | G70700 | Rear Shutter Tr2/mr2 | - |
| 422 | PAM9909505006 | Grid Rubber Cap | - |
| 424 | G69996 | Blind Cover | - |



| Position | Part Number | Description | Notes |
|----------|-------------|--|-------|
| 500 | ERP136CI49Z | Engine Lombardini 25ld330.2 Air_3000__cone 30-_12vdc__ver/sp:k6c3030 | - |
| 501 | PEL00042 | Air Filter | - |
| 503 | P3KI00299 | Kit Pramac Power | - |
| 510 | PER00288 | Oil Filter | - |
| 514 | G080101 | Fuel Filter Fb1-01544 5u | - |