

Spare Parts Catalogue

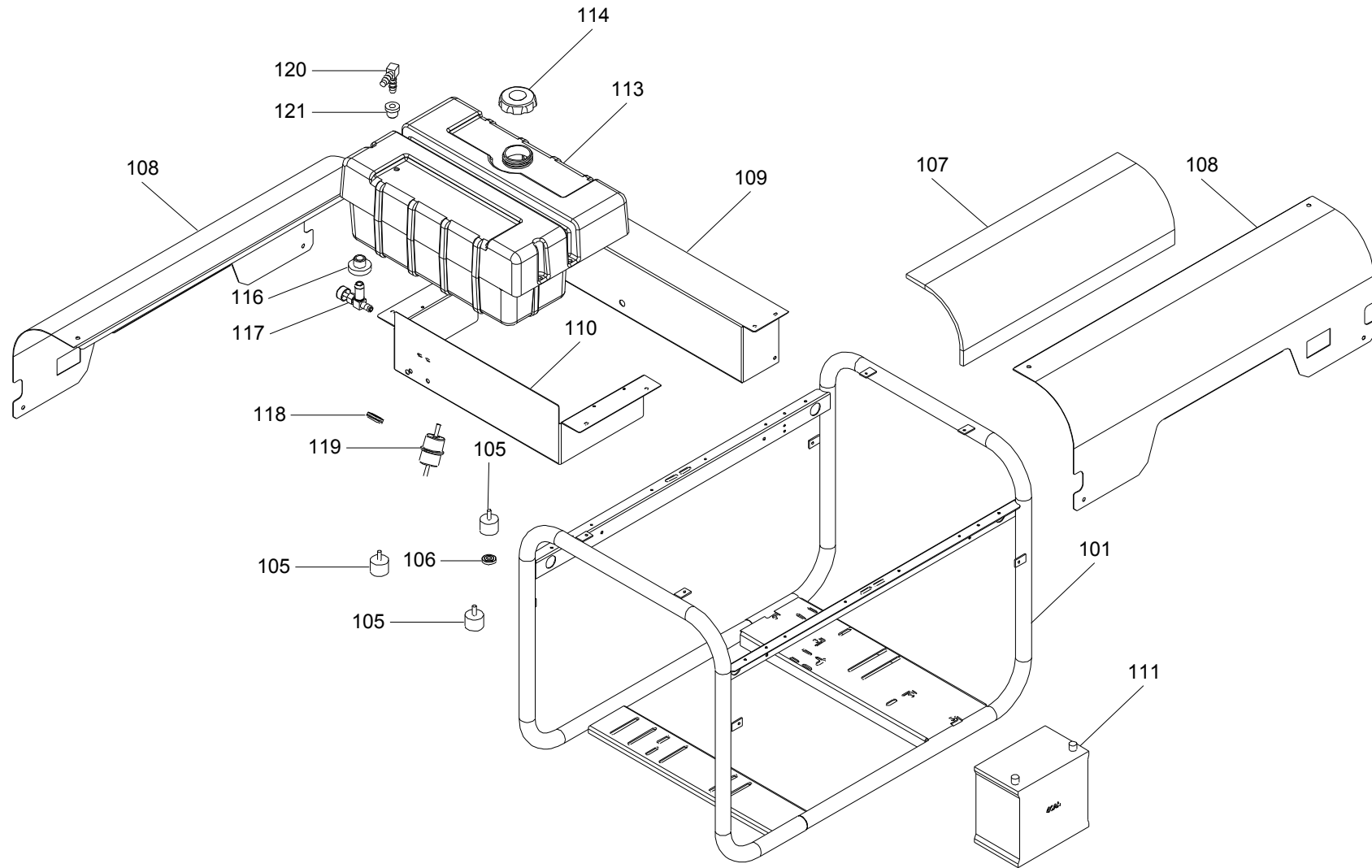
S9000-2013-THREEPHASE+DPP

Power systems | Generating sets

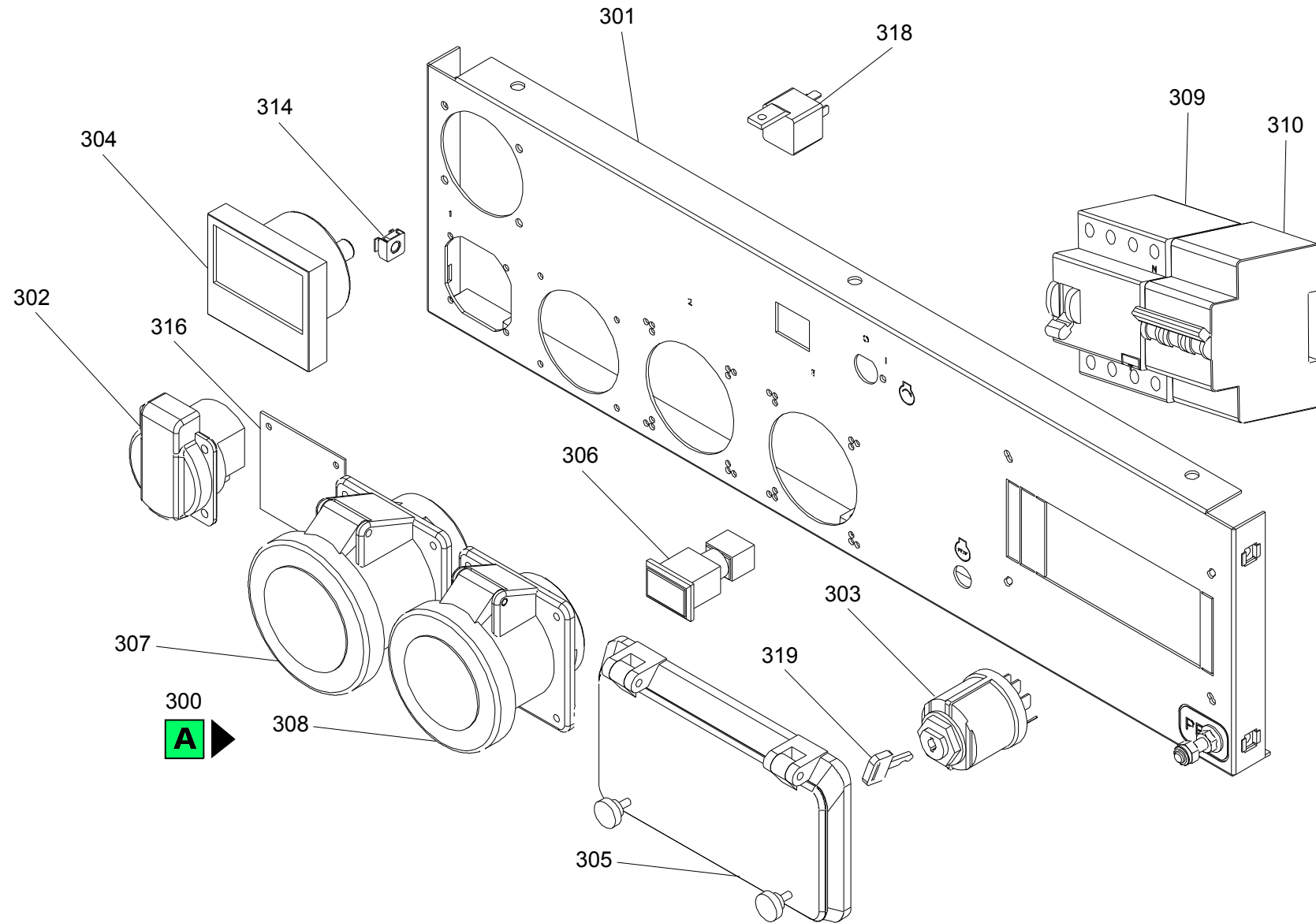
Valid for machine code: PD882TRAZ01

Revision: 0 (10/2010)

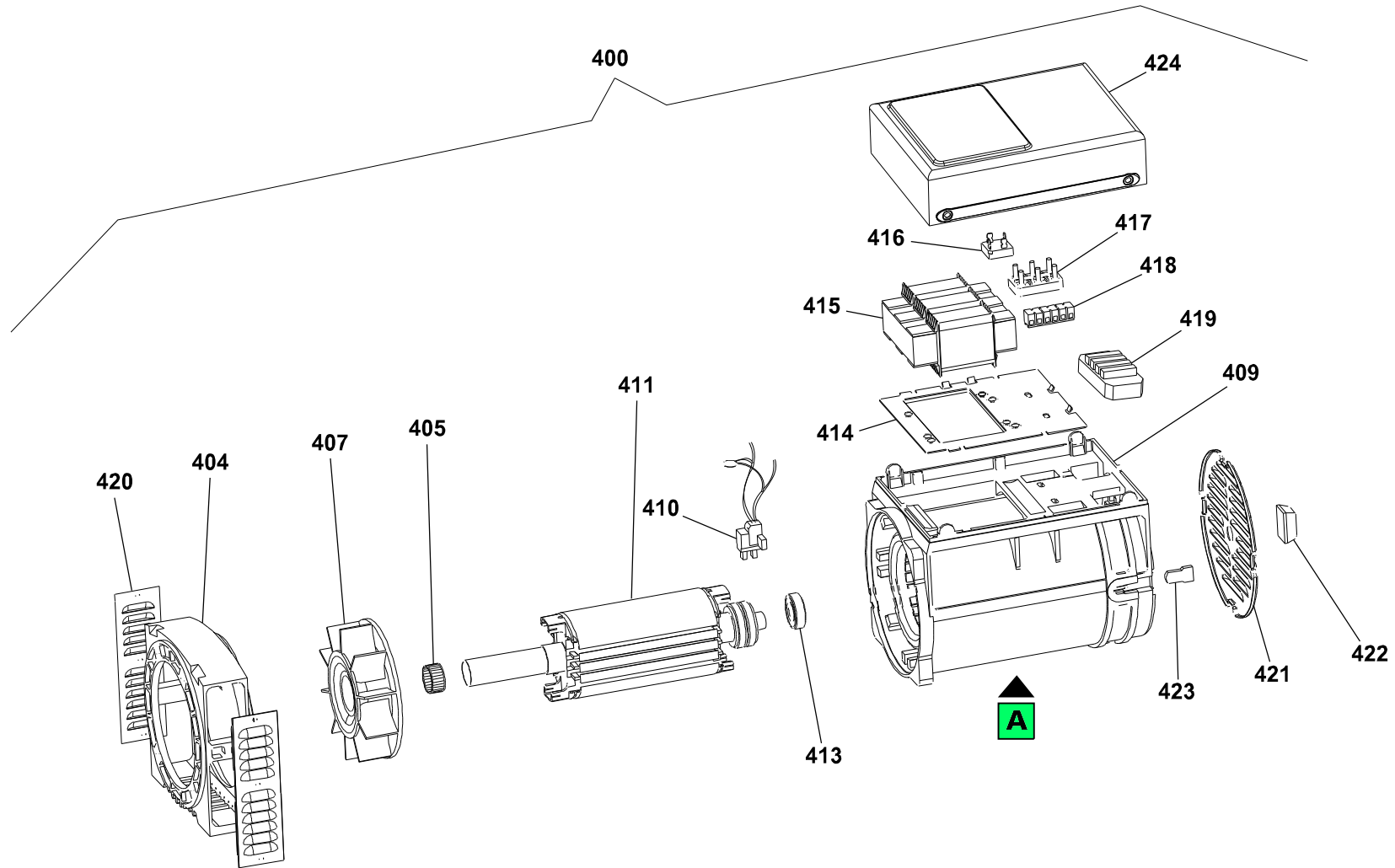
Copyright 2016 Pramac Group, All Rights Reserved.



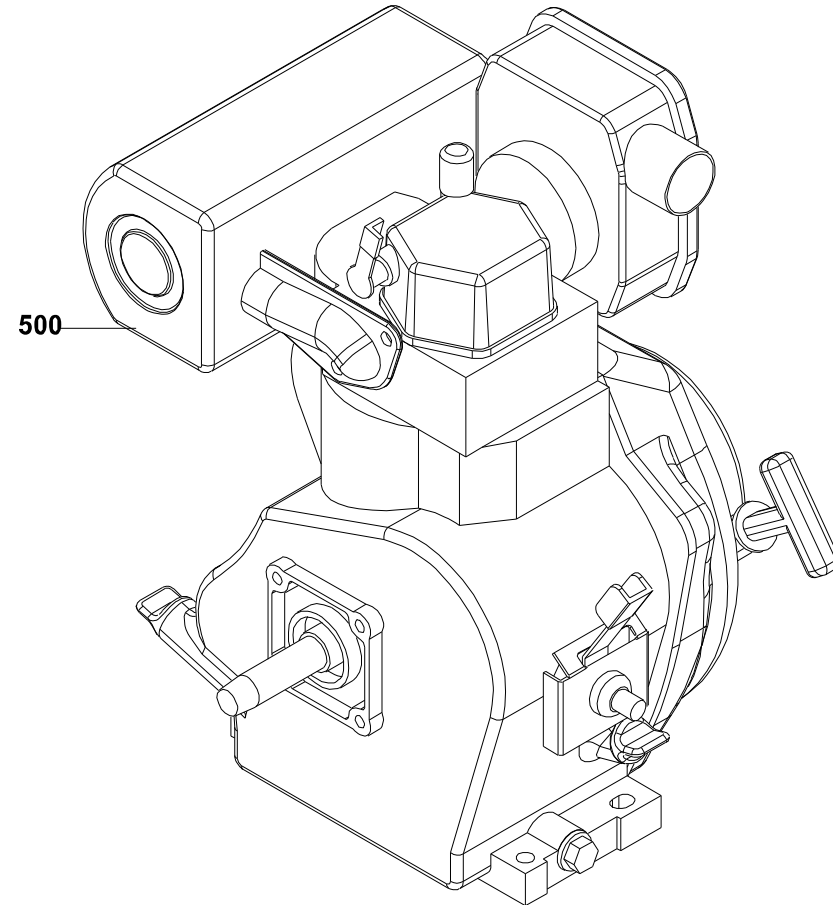
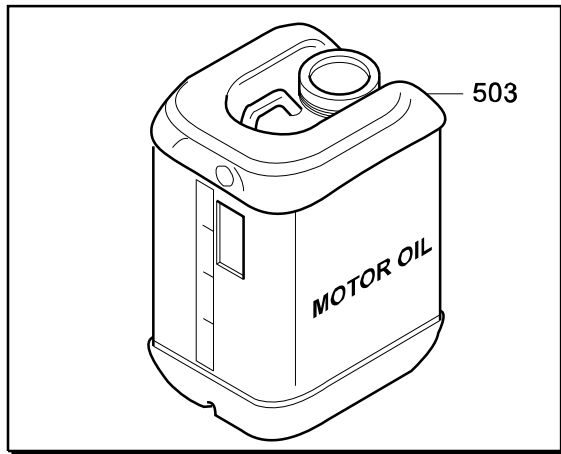
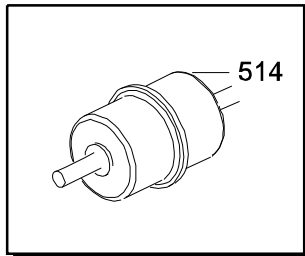
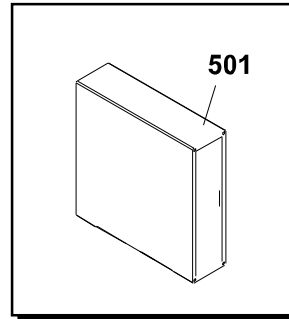
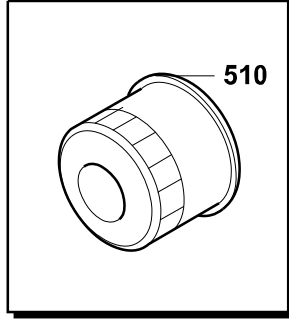
Position	Part Number	Description	Notes
101	▲ VA50015013-9005B	Complete Frame Painted S9000 Restyling	Valid for products manufactured until 29/11/2013
	▲ VA40043001-9005B	Complete Painted Frame S9000-x12000	Valid for products manufactured from 29/11/2013
105	G052121	Cylindric Silent-block Mf-40x30-m8x23-m8-55	-
106	SA40023901	Spacer 6 Mm Nylon Snap-in	-
107	SA50015902	Muffler-side Rail Protection Thermalreflecting	-
108	VA9519-PRAMACB	Painted S12000 Side Rail	-
109	VM5H400009-9005B	Support Control Panel Serie S Painted Ral 9005b	-
110	▲ VA9621-9005B	Tank Protection S9000 Restyling Painted	Valid for products manufactured until 11/02/2014
	▲ VM2188-9005B	Bandeja Deposito S9000-x12000-s15000 Pintada Ral 9005b	Valid for products manufactured from 11/02/2014
111	G089126	Battery 45ah 12v With Acid - 216x133x223	-
113	SA10002904	Fuel Tank Petrol/diesel 24 Liters	-
114	G080201	Obsolete Use G080215	-
	G080215	Fuel Cap Without Key - Vent Holes On Top	-
116	G084801	Grommet Valve #10672	-
117	G085100	Needle Valve Bushed - Ref.11478	-
118	G070208	Wire Bush Open 3932-36-a	-
119	G080101	Fuel Filter Fb1-01544 5u	-
120	G83310	Curved Pipe Fitting "norma" Plastic Ws.6 Fuel Tank 8 Gal	-
121	G83311	Pipe Fitting Gasket "norma" Ws 6	-



Position	Part Number	Description	Notes
300	▲ SA50015024	Electrical Panel S9000 Tf +dpp With Active Oil Safety - Ge0487	Valid for products manufactured from 08/02/2012
	▲ SA50015017	Electric Panel S9000 Threephase + Elcb	Valid for products manufactured until 08/02/2012
301	GM2102	Frontal Cuadro Electrico S9000 Trifasico + Dpp	-
302	G071131	Socket Subassembly, Power Supply	-
303	G075310	Starter Key Switch	-
304	G079025	Voltmeter 0-500v D56	-
305	G070312	Ip55 Cover 8 Modules Din	-
306	G83528	Oil Pressure Pilot Light Gr.el.cof. Tn	-
307	G071136	Socket 2p+t 230v 32a Ip44 Cee	-
308	G071126	Panel Mount Socket 3p+n+t 400v 16a Ip44 Cee	-
309	G075512	Differential Switch 4p 25a 0.03a	-
310	G075519	Magnetothermic Switch 3p 13a 4.5ka	-
314	G034904	Cage Nut M6 Galv. (th. 1.8-2.6 8.3x8.3)	-
316	GA7808	Cover Hole Sheet For Cee Socket	-
318	G079583	Rele' 12v 1 30/20a 12.040.000	-
319	G76926	Key Block Body For Starter Switch	-



Position	Part Number	Description	Notes
400	AMT10000AI0000Y	Alternator T20fs-130/a 10/230/400/50/3000 C30	-
405	G70693	Compensator Ring (mod. Bn 35x23)	-
407	G70703	Fan Tr2/mr2	-
410	G70055	Brushes Set (bh40) Tr-1	-
413	G010401	Bearing 6204 2rs (20-47-14)	-
414	G70054	Compensator Ring Tr-1/mr-1	-
415	PAM4500313051	Transformator Comp	-
416	G70114	Diode Bridge Mf 36 Mb-80a	-
417	G70107	Terminal Board 56x36	-
418	G70134	Auxiliary Terminal Board Series T1	-
420	PAM0391600237	-	-
421	G70700	Rear Shutter Tr2/mr2	-
422	G70705	Plug For Cover Tr2/mr2	-
423	G70056	Grommet Tr-1/mr-1	-
424	G70042	Blind Cover	-
425	PAM00002	Tension Rod Tr2 T20fs-160	-



Position	Part Number	Description	Notes
500	ERP136CI49Z	Engine Lombardini 25ld330.2 Air_3000__cone 30-_12vdc__ver/sp:k6c3030	-
501	PEL00042	Air Filter	-
503	P3KI00299	Kit Pramac Power	-
510	PER00288	Oil Filter	-
514	G080101	Fuel Filter Fb1-01544 5u	-