

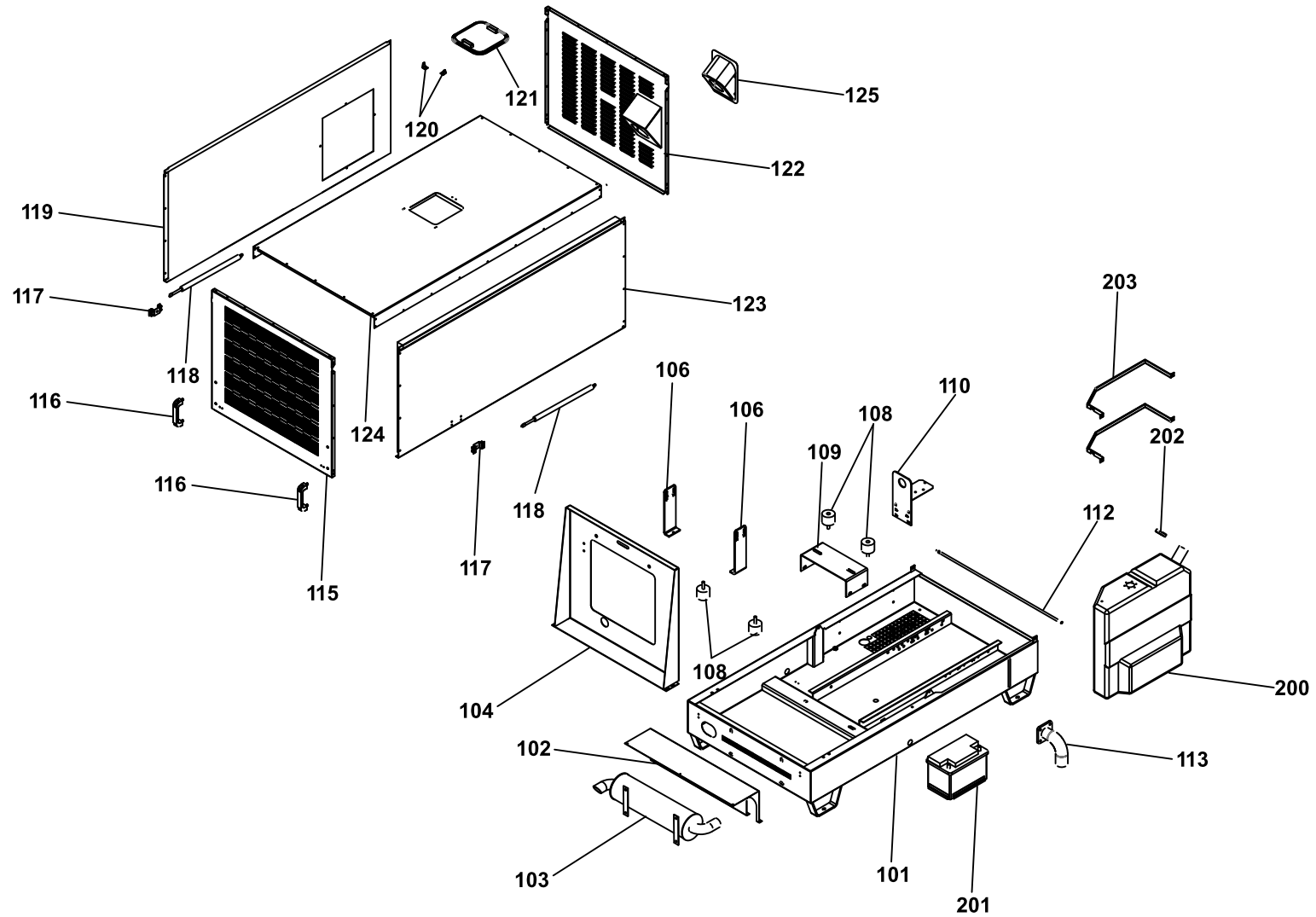
Spare Parts Catalogue

GBW15P-(ALT.M)-ACP

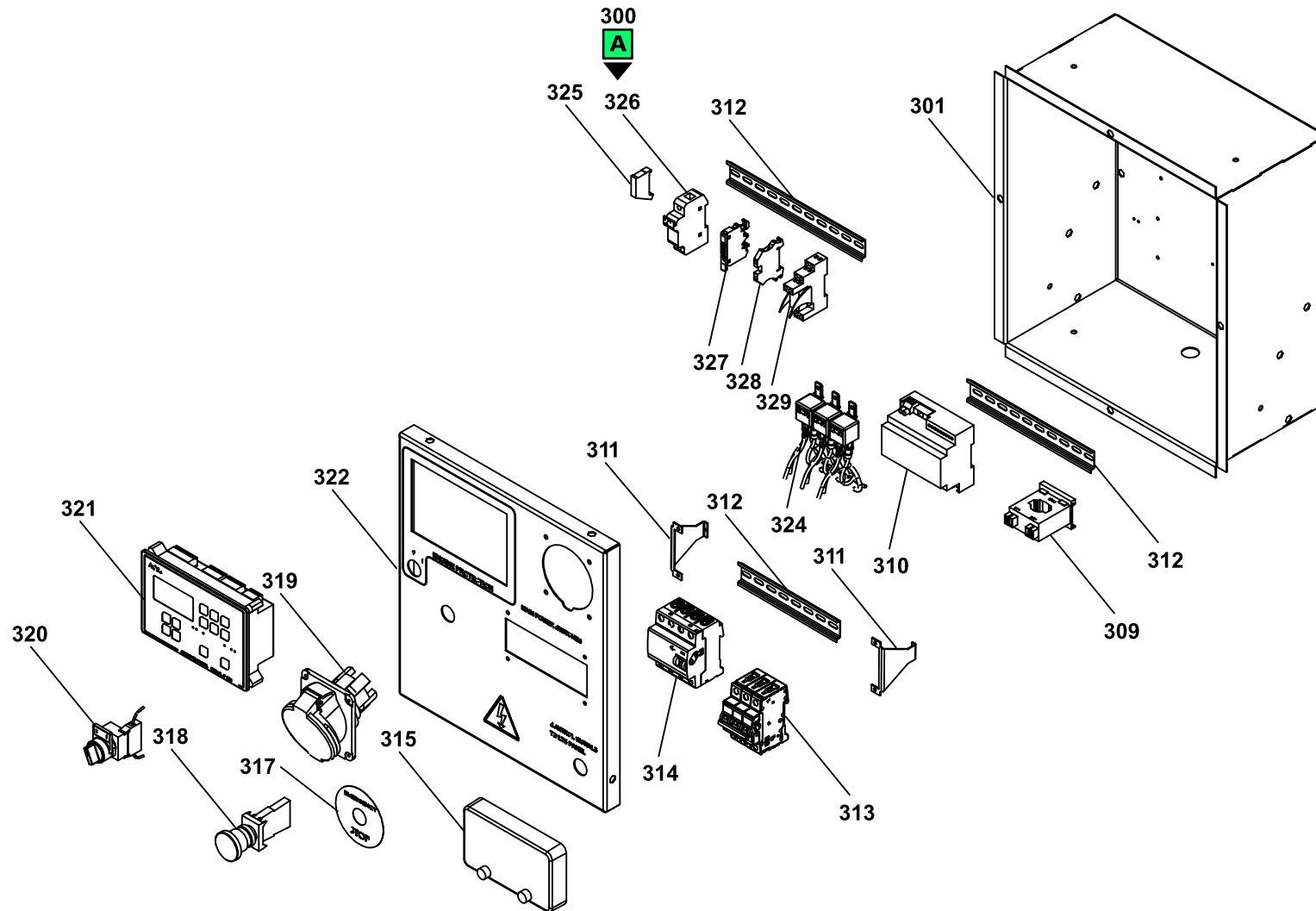
Generating sets

Valid for machine code: SB130TPAU02

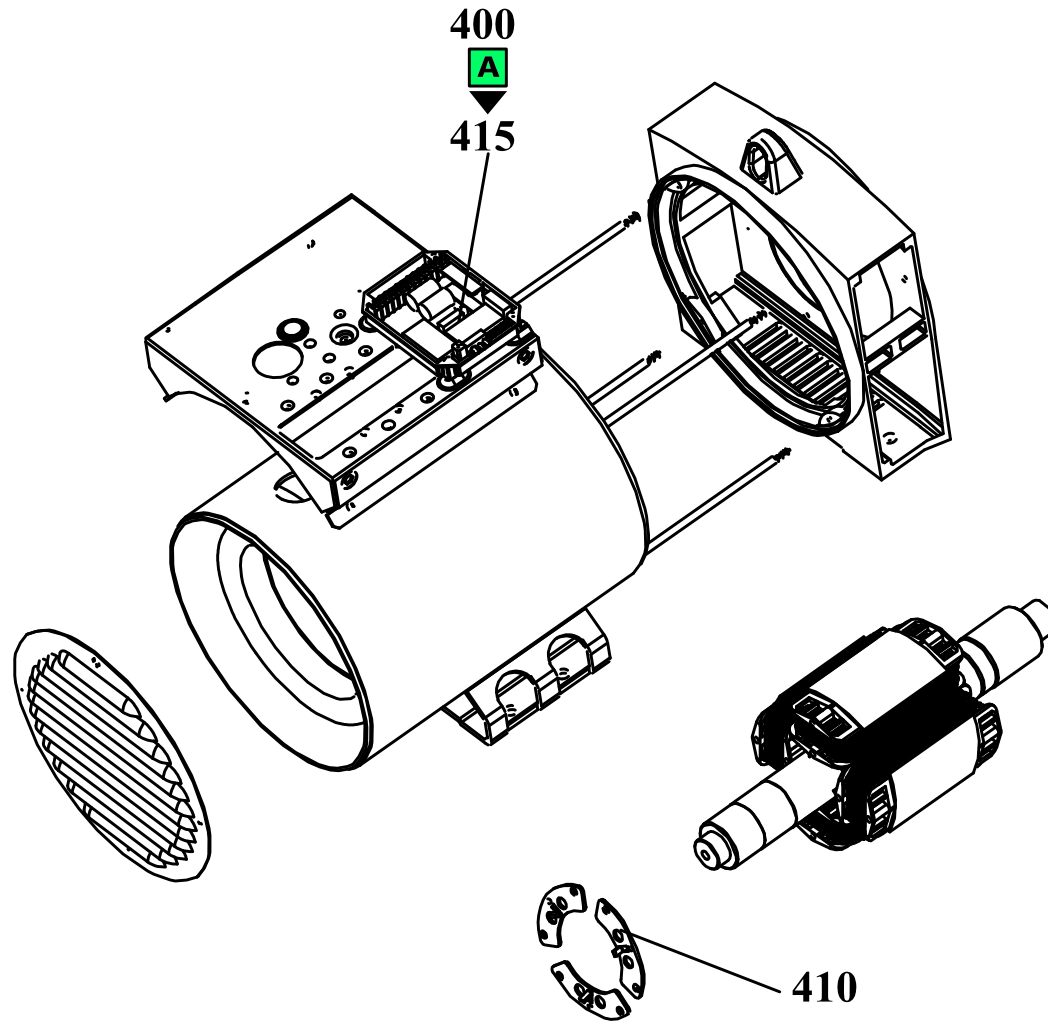
Revision: 0 (11/2015)



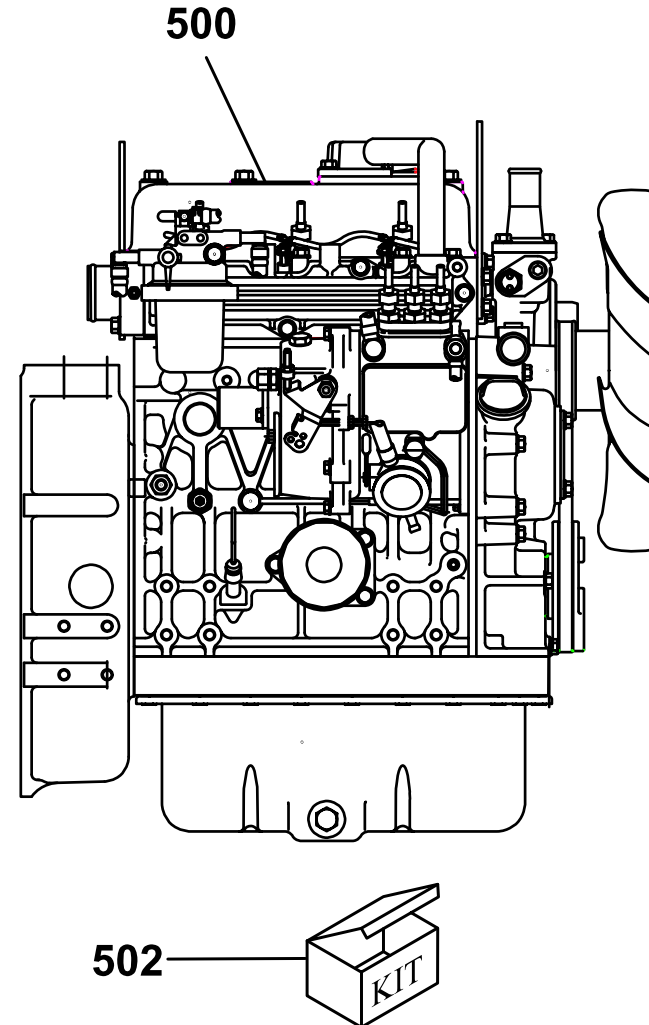
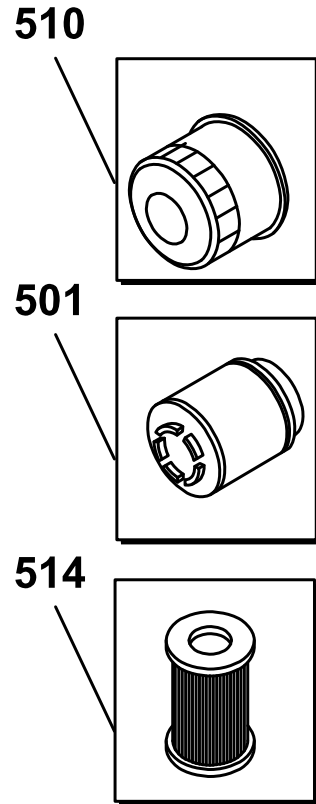
POSITION	PART NUMBER	DESCRIPTION	NOTES
101	VM5C805000-9005B	COMPLET BASE FRAME GBW 15/20 15/20 PERKINS PAINTED	
102	VM7931-9005B	SILENT SEPARATOR GBW 15/20 PERKINS SOUNDPROOF PAINTED	
103	SM5G800008	EXHAUST MUFFLER GBW15/20 PERKINS - DEUTZ (K/KI/KS 32 EXIT DIAMETER= 60 MM)	
104	VM5S802700-9005B	SEPARATOR RADIATOR IN CANOPY GBW 15/20 PERKINS PAINTED	
108	G052114	CYLINDRIC SILENT-BLOCK MF-65x50-M12x37-M12-60SH	
109	VM7945-9005B	SOPORTE ALTERNADOR GBW15-20 PERKINS-LINZ PINTADO	
110	VM5E801000-9005B	ELEVATION BRIDGE GBW 15/20 PERKINS	
111	VM9337-9005B	SAFETY HOOK BRIDGE GBW 15-20 PAINTED RAL9005B	
112	SM5Q000307	SCREW M10 LENGTH 900MM	
113	VM5G800003-9005O	CODO COLECTOR DE ESCAPE PERKINS 403C-15G, 404C-22G EN GBW15/20 PINTADO	
115	SM5Z001639	BACK PANEL EXPULSION SIDE IN CANOPY GBW15-20 RIVETED INSULATE RAL PRAMACB	
116	G000633	PLASTIC HANDLE FOR CANOPY GBW 15/20 PERKINS (SUPPLIER RIU - REF. 1557 00)	
117	VM5S902714-9005B	GAS RESORT REINFORCEMENT PAINTED	
118	G001719	GAS SHOCK 748mm 35Kg. (REF. 1520 35)	
119	SM5Z001637	LATERAL RIGHT PANEL IN CANOPY GBW15-20 RIVETED INSULATE RAL PRAMACB	
121	G051910	LID REINFORCED PLASTIC ABS MAGNUN 3453	
122	VM9095-PRAMACB	BACK PANEL ASPIRATION ON CANOPY GBW15-22 RIVET (PAINTED)	
123	SM5Z001638	LEFT SIDE CANOPY GBW15-20	
124	SM5Z001640	COMPLETE ROOF IN CANOPY GBW15-20 RIVETED INSULATE RAL PRAMACB	
125	SM5Q000102	EMBELLISHMENT FOR FUEL FILLING GBW15-22 PCTA BLACK	
200	G51452	PLASTIC FUEL TANK 51 LITERS	
201	G089037	BATTERY 80Ah	
202	G080203	FUEL TANK CAP D300/KS9/12/15/32	
203	SM5Z004448	ASSEMBLY CLAMP FOR FIXING THE 51L TANK WITH ADHESIVE	



POSITION	PART NUMBER	DESCRIPTION	NOTES
300	SM5P497006	CUADRO ACP (AC-03) GB 20A 3P III CONEX. Y 50Hz 12V	
301	VM5P150008-9005B	BOX EL. PANEL GB CANOPY RAL 9005 (M363-ZN)	
309	G079251	INTENSITY TRANSFORMER IBA 50/5A	
310	G076823	BATTERY CHARGER REVALCO 1RAL8000 12/24VDC 180-280VAC 50-60Hz	
311	GM1607	SWITCHES SUPPORT IN PLUG KIT WITH IP PROTECTION COVERS (BENDED / WITHOUT THREAD)	
312	G079565	SUPPORT RAIL DIN 35 MM SYMMETRICAL [REF. WURTH 0975490101]	
313	G073608	CIRCUIT BREAKER 20A 3P S203-B20 CURVE B - 6kA REF. 2CDS253001R0205	
314	G077770	RESIDUAL CURRENT DEVICE 40A 4P F204 A-40/0,03A REF. 2CSF204101R1400	
315	G070312	IP55 COVER 8 MODULES DIN	
316	G070274	BLACK RACORD PG16 DN 21/17 MADE OF NYLON ACCORDING TO BS EN 50086 / UL94	
317	G075151	EMERGENCY PLATE D.78MM ENGLISH (ref.1SFA616915R1005)	
318	G075150	EMERGENCY STOPZB2-BE101C (COMMON USE)	
319	G071168	SOCKETS ANGLED FAST 32A 3P+N+E 6h 380-415V RED IP44 (REF. SCHNEIDER PKF32F435)	
320	G075148	SELECT. 2 POS. ROUND (P9XSMD0N)	
321	G076047	CONTROL CARD AC03 ACP CAN BUS	
322	VM9551-9005B	FRONTAL GB ACP AMF26P - AC03 (PINTADO)	
323	G020640	HSHC SCREW M6x12 8.8 ZN ISO4762	
324	G077275	RELAY NAGARES RLP 52-12D 40A 14V (+ DIODE)	
325	G079415	TERMINAL ES 35 PA COD. 2005.2	
326	G070666	Mersen 32A Rail Mount Fuse Holder for 10 x 38mm Fuse, 1P, 690V ac. Ref. P1062705 / CMC101	
327	G070600	TERMINAL FUSE SUPPORT 4MM2, 6,3A, FUSIBLE 5x20	
328	G079480	TERMINAL RK 2,5-4/35 REF.1577.2	
329	G075258	RELAY 1 COMMUTATE 12V	



POSITION	PART NUMBER	DESCRIPTION	NOTES
400	AMX14FVQ000Y	ALTERNATOR ECP3 2L 13,5/230/400/50-60/1500/12M - FORM MD35 - SAE 4 - JOINT 7" ½ - MECC-ALTE	
410	PAM00035	DIODE KIT BY255 kit pz. 6	
415	G70577	ELECTRONIC REGULATOR SR7	



POSITION	PART NUMBER	DESCRIPTION	NOTES
500	EPW194CVAAZ	Engine Perkins 403D-15G Water_1500__Sae4-7½_12Vdc__Ver/Sp:GK65760U	
501	PEP00019	FUEL FILTER	
502	P3KI00344	KIT FILTERS FOR GBW15P-GBW22P-GSW15P-GSW22P 403D-15G 404D-22G	
510	PEP00018	OIL FILTER	
514	G000641	CART.AIR FILTER GBW15 PERK.	