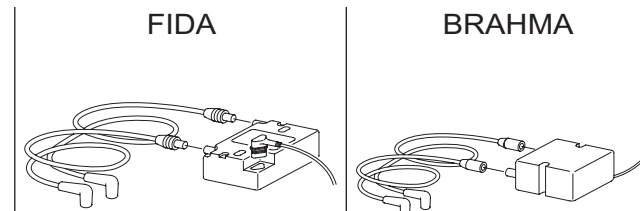
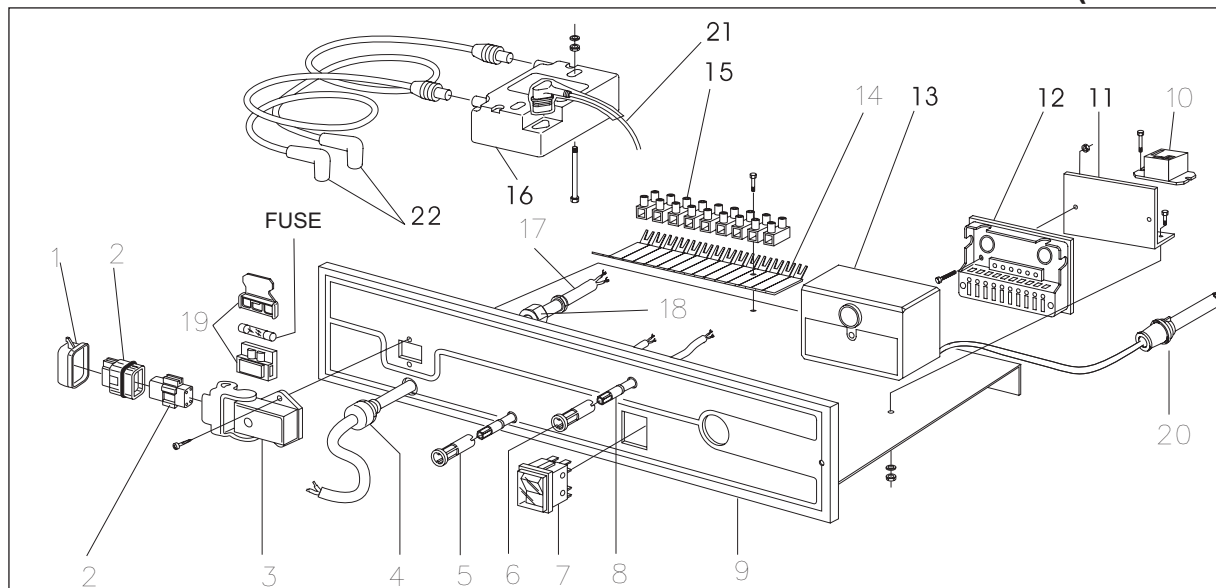
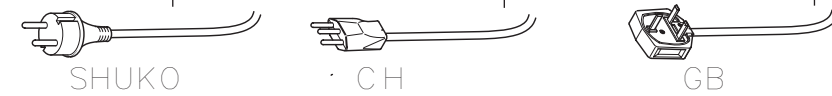


QUADRO ELETTRICO / ELECTRICAL DIAGRAM / INSTALLATION ELECTRIQUÉ - ELEKTRISCHE ANLAGE / ELEKTRISCHE INSTALLATIE (Cod. 360064SHUKO - 3600742 GB - 3600668 CH)



Pos.	Cod. 9500753	Cod. 9500756
16	1500340	1500349
21	1520233	-
22	1520236	1520244



POS	COD.	Italiano	English	Français	Deutsch	Nederlands	Español	Norske
1	1520106	CAPPUCCIO	HOOD	CAPUCHON	STECKER	DEKSEL	CAPUCHÓN	
2	1520093	FRUTTO PRESA	SOCKET	PRISE	STECKDOSE	BLOK	TOMA	KASSE
3	1520117	CUSTODIA FISSA	FIXED GUARD	BOÎTIER FIX	FESTE KAPSELUNG	STEKKER	CUBIERTA	
4	1520068	PRESSACAVO	CABLE RET.	PRESSE CABLE	KABEL ZUG.	PLASTIC KABELD.	PREME-CABLE	KABELKLEMME
5	0351206	SPIA RETE	LIGHT	TEMOIN	LEUCHTE	CONTROLELAMP	FARO	VARESELLAMPE FOR NETTSPENNING
6	0351207	SPIA VENTILATORE	LIGHT	TEMOIN	LEUCHTE	CONTROLELAMP	FARO	VARESELLAMPE
7	0350605	INTERRUTTORE	SWITCH	INTERRUPTEUR	SCHALTER	HOOFDSCHAKELAAR	INTERRUPTOR	BRYTER
8	0351205	LAMPADA SPIA	LIGHT	TEMOIN	LEUCHTE	CONTROLELAMP	FARO	VARESELLAMPE
9	2650033	PANNELLO COMANDI	PANEL	TABLEAU	BRETT	BEDIENINGSPANEEL	TABLERO	KONTROLLPANEL
10	1520156	RELE'	RELAIS	RELAIS	RELAIS	RELAIS	RELAIS	RELÉ
11	2502626	SUPPORTO BRAHMA	SUPPORT	SUPPORT	LAGERUNG	STEUN VOOR APP.	SOPORTE	STØTTE
12	1500294	ZOCCOLO BRAHMA	SOCKET	BATI	GERATSOCKEL	ONDERSTUK APP.	BASE	BRAHMA SOKKEL
13	1500293	SCHEDA CON. FIAMMA	CONNECTOR	BLOQUE	DOSE	BLOK FOR APP.	BLOQUE	BRAHMA KASSE
14	0350695	SOTTOMORSETTIERA	TERMINALS	BASE	HALTER	KLEMMENBORDHOU	BASE	KLEMMERBRETETS UNDERLAG
15	0350688	MORSETTIERA	CLAMP	BORNE	KLEMME	KLEMMENBORD	EMBOLO	KLEMMERBRETT
16	-	TRASFORMATORE	TRANSF.	TRANSFOR.	TRANSF.	HOOGSPANNINGST.	TRASF.	HØYSPENNINGSTRANSFORMATOR
17	2200010	CAVO ALIMENTAZIONE SHUKO	CABLE SHUKO	CABLE SHUKO	CABLE SHUKO	STROOMTOEVOERK. SHUKO	CABLE SHUKO	NETTKABEL SHUKO
	2200128	CAVO ALIMENTAZIONE CH	CABLE CH	CABLE CH	CABLE CH	STROOMTOEVOERK. CH	CABLE CH	NETTKABEL CH
	1520074	CAVO ALIMENTAZIONE GB	CABLE GB	CABLE GB	CABLE GB	STROOMTOEVOERK. GB	CABLE GB	NETTKABEL GB
18	1520074	CONTRODADO	LOCK NUT	ÉCROU D'ARET	KONTERMUTTER	CONTRAMOER	CONTRATUERCA	
19	1500257	PORTAFUSIBILE	FUSE HOLDER	PORTE FUSIBLE	SICHERUNG	ZEKERINGHOUDER	FUSIBLE	SIKRINGSHOLDER
20	1520180	FOTORESISTENZA	PHORESISTENCE	PHORESISTENCE	FOTOZELLE	FOTOWEERSTAND	FOTORESISTENCIA	FOTOMOTSTAND
21	-	CAVO PVC	CABLE	CABLE	KABEL	STROOMTOEVOERK.	CABLE	NETTKABEL
22	-	CAVO HT	CABLE	CABLE	KABEL	STROOMTOEVOERK.	CABLE	NETTKABEL